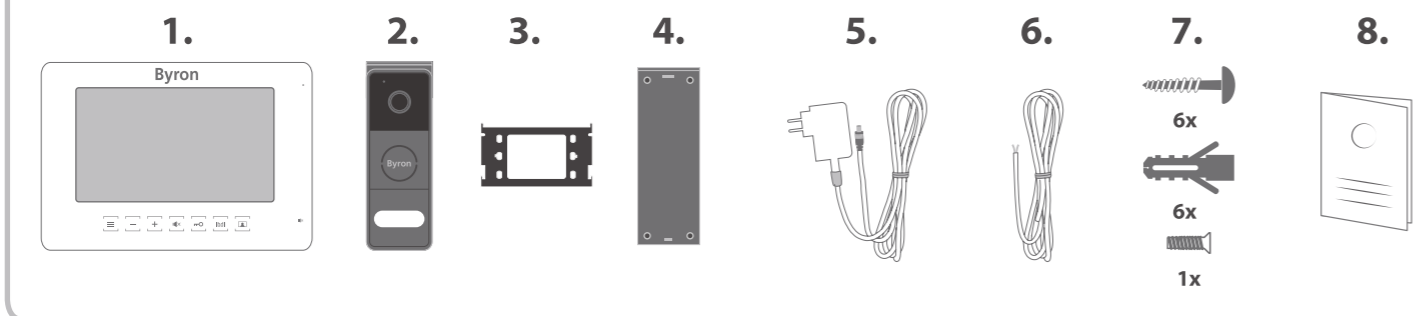
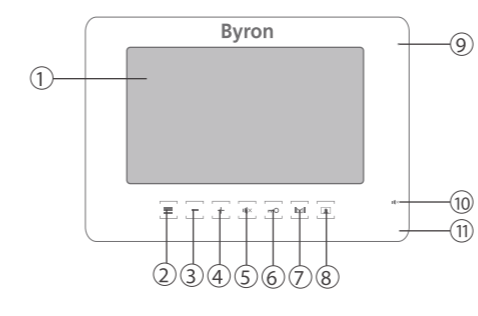


2. PARTS DESCRIPTION

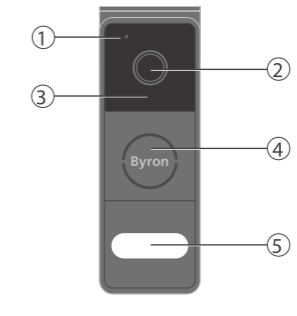
2.1 BOX CONTENT



2.2 INDOOR UNIT (MONITOR)

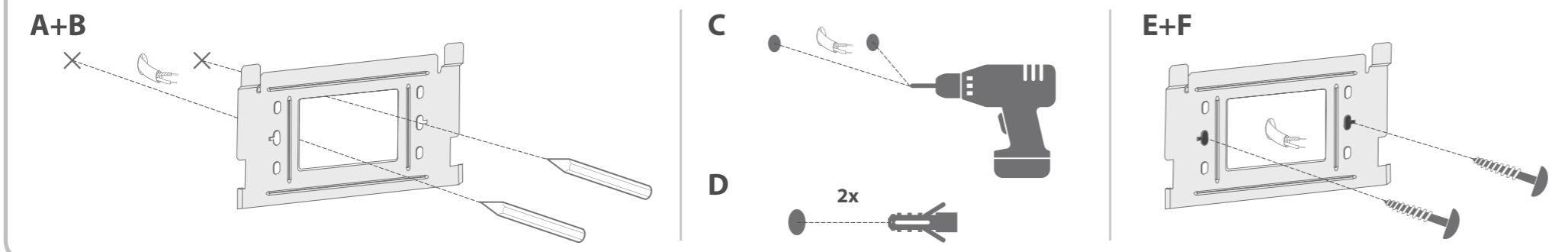


2.3 OUTDOOR UNIT (DOORBELL)

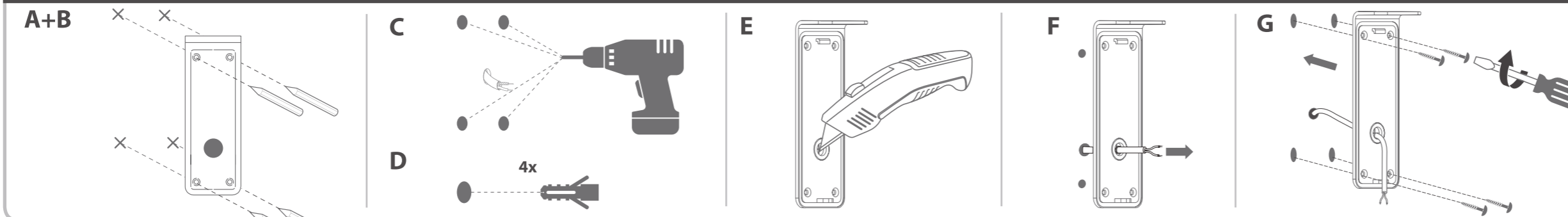


3. INSTALLATION

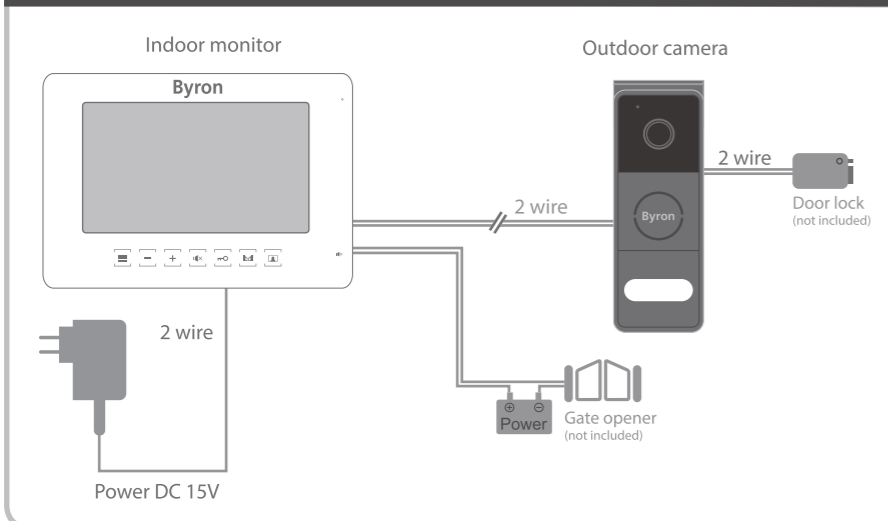
3.1 FIX THE MOUNTING PLATE OF THE INDOOR UNIT (MONITOR)



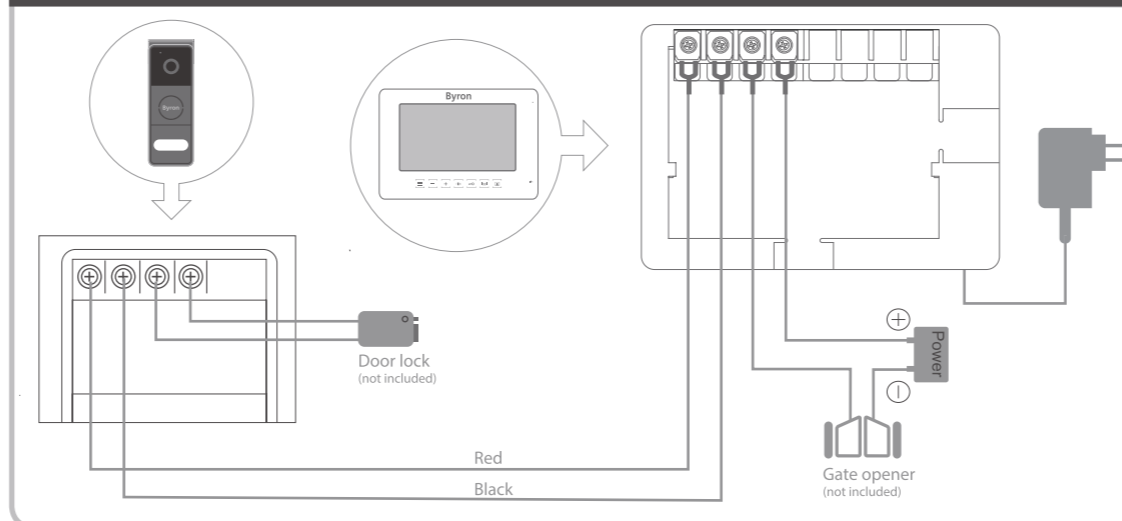
3.2 FIX THE MOUNTING PLATE OF THE OUTDOOR UNIT (DOORBELL)



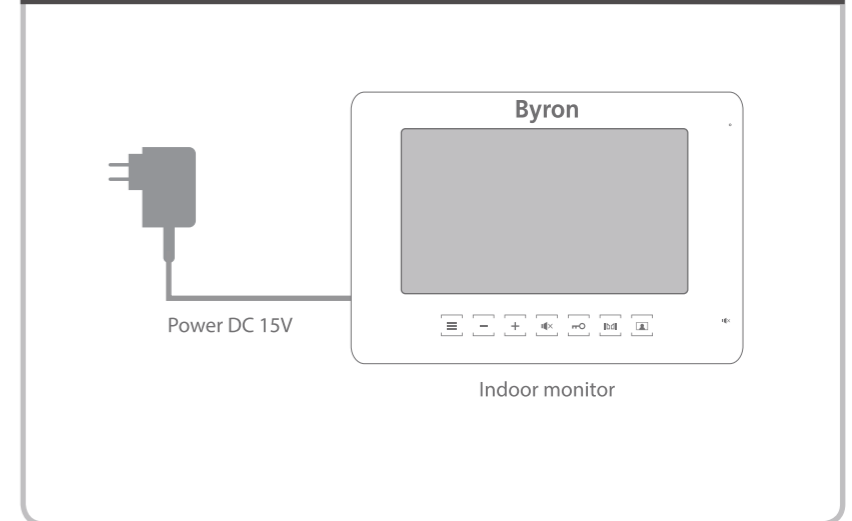
3.3 ELECTRICAL INSTALLATION



3.3.1 CONNECTING THE INDOOR UNIT (MONITOR) TO THE OUTDOOR UNIT (DOORBELL)

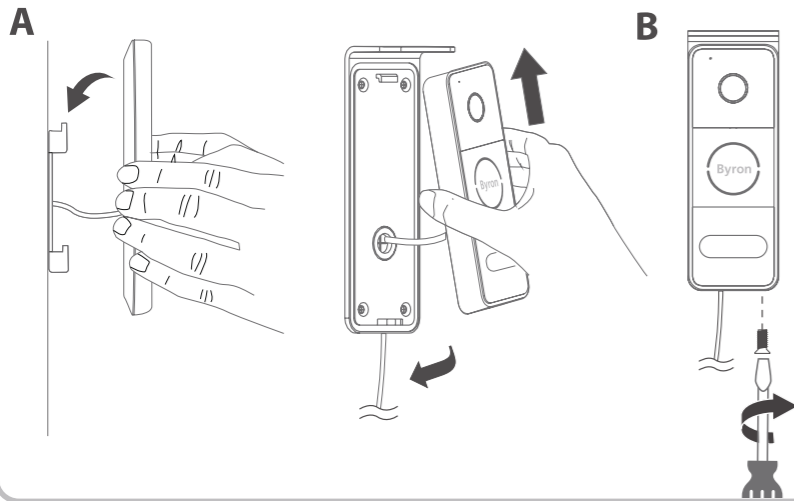


3.3.2 CONNECTING THE AC ADAPTER

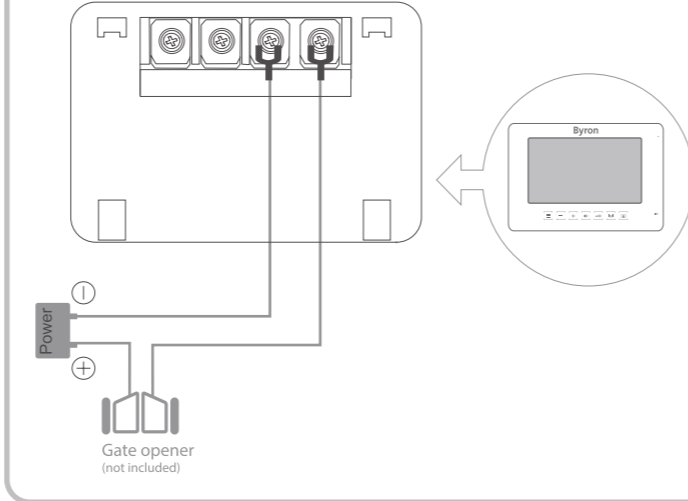


4. BASIC FUNCTIONS

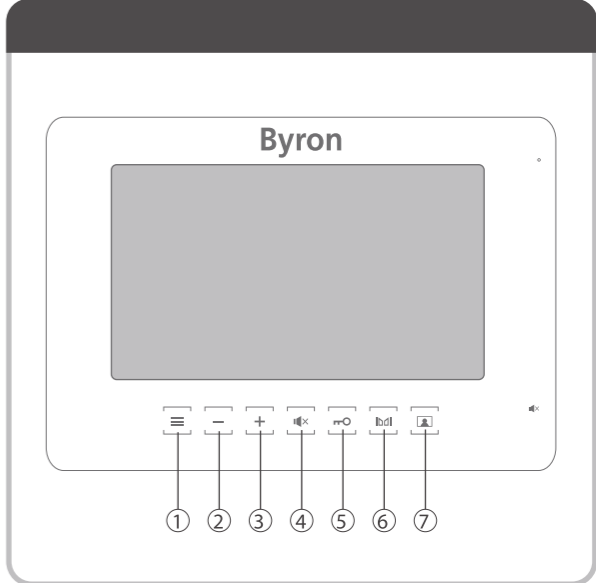
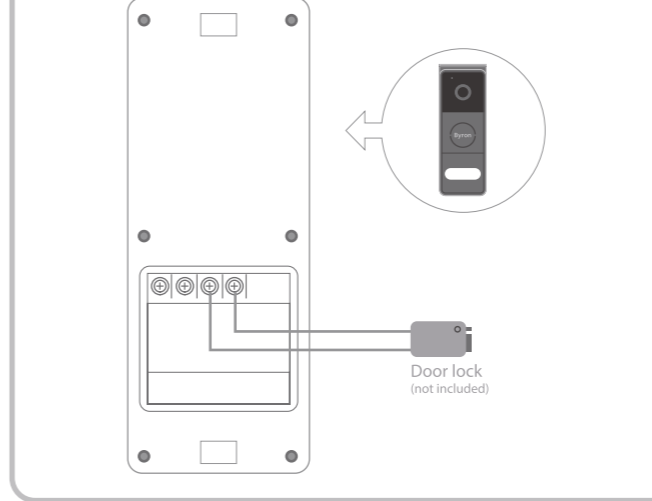
3.3.3 MOUNT THE INDOOR UNIT AND OUTDOOR UNIT



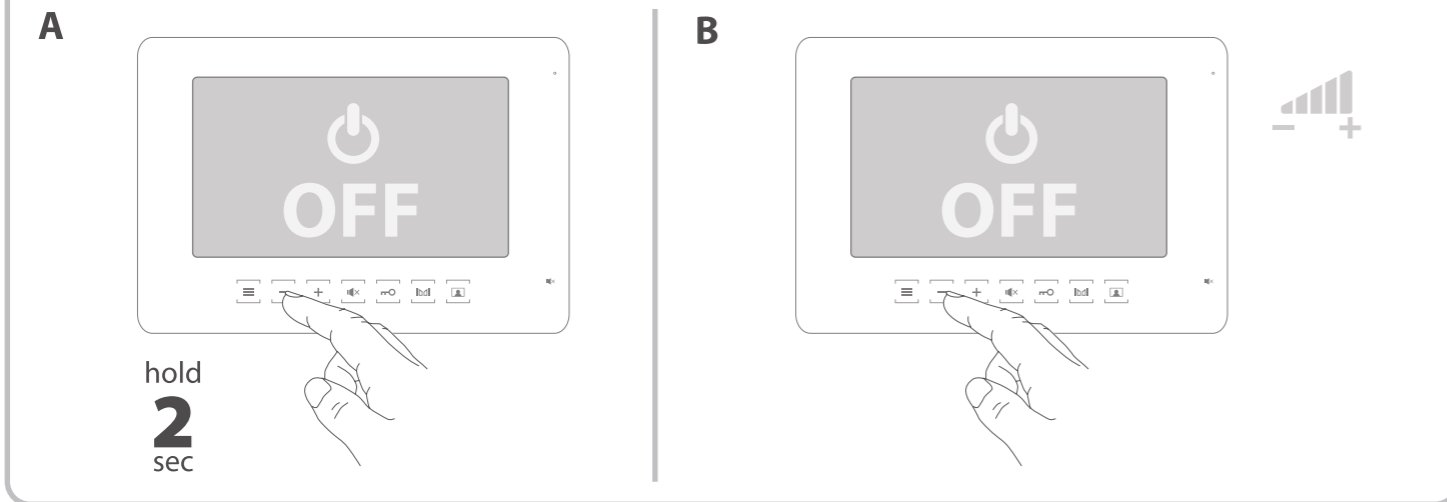
3.3.4 CONNECTING A GATE OPENER (NOT INCLUDED)



3.3.5 CONNECTING A DOOR LOCK (NOT INCLUDED)



2. VOLUME CONTROL



3. RINGTONE SETTINGS

