

# ★ ★ ★ ● TRISTAR



EN | Instruction manual

NL | Gebruiksaanwijzing

FR | Mode d'emploi

DE | Bedienungsanleitung

ES | Manual de usuario

PT | Manual de utilizador

IT | Manuele utente

SV | Bruksanvisning

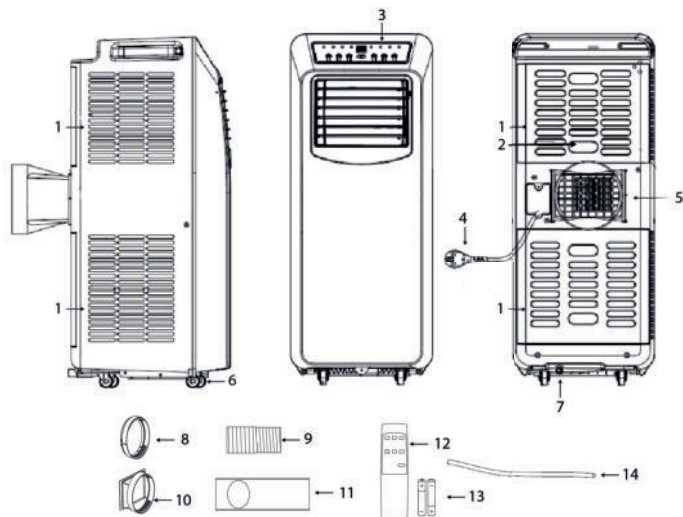
PL | Instrukcja obsługi

CS | Návod na použití

SK | Návod na použitie

**AC-5560**

PARTS DESCRIPTION / ONDERDELENBESCHRIJVING / DESCRIPTION DES PIÈCES / TEILEBESCHREIBUNG /  
DESCRIPCIÓN DE LAS PIEZAS / DESCRIÇÃO DOS COMPONENTES / DESCRIZIONE DELLE PARTI /  
BESKRIVNING AV DELAR / OPIS CZĘŚCI / POPIS SOUČÁSTÍ / POPIS SÚČASTÍ



## SAFETY

- Please read this user's manual carefully to ensure proper use, maintenance and installation.
  - By ignoring the safety instructions the manufacturer cannot be held responsible for the damage.
  - The appliance is for indoor use only.
  - Do not use the unit on a socket that is damaged or that has not been installed correctly.
  - Do not use the unit:
    - near a source of fire.
    - in an area where oil is likely to splash.
    - in an area exposed to direct sunlight.
    - in an area where water is likely to splash.
    - near a bath, a shower or a swimming pool.
  - Never insert your fingers or objects into the air outlet. Take special care to warn children of these dangers.
  - Keep the unit upright during transport and storage.
  - Before cleaning the unit, always turn off or disconnect the power supply.
- Always turn off and disconnect the power supply before moving the unit.



- **WARNING:** To avoid the risk of fire, do not cover the unit.
- All the unit sockets must comply with the local electric safety requirements. If necessary please check.

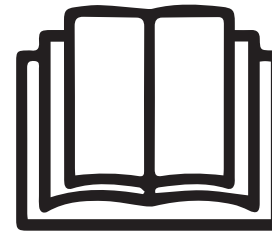
- If the supply cord is damaged, it must be replaced by the manufacturer, its service agent or similarly qualified persons in order to avoid a hazard.
- If the supply cord is damaged, it must be replaced by the manufacturer, service agent or qualified person(s) in order to avoid a hazard.
- This appliance can be used by children aged 8 years and above, persons with reduced physical, sensory, and mental capabilities or persons with a lack of experience and knowledge if they have been given correct supervision or instruction concerning the use of the appliance in a safe way and understand the hazards involved. Children should not play with the appliance. Cleaning and user maintenance should not be carried out by children without supervision.
- This appliance is only to be used for household purposes and only for the purpose it is made for.
- Notes:
  - In the case of any damage, please disconnect the power supply and contact the dealer or a designated repair shop.
  - In any case, the power cord shall be firmly grounded.
  - To avoid the possibility of danger, if the power cord is damaged, please disconnect the power supply. It must be replaced by the dealer or a designated repair shop.

**Warning**

- Please use the recommended defrosting and cleaning process from the manufacturer only. Do not accelerate the defrosting or cleaning process in any other way.
- The appliance shall be stored in a room without continuously operating ignition sources (for example: open flames , an operating gas appliance or an operating electric heater).
- Do not pierce or burn.
- Be aware that refrigerants may not contain an odor.
- The appliance should be installed, operated and stored in a room with a floor area larger than X m<sup>2</sup>. (X=4 for 5000Btu/h, 7000Btu/h, 8000Btu/h; X=7.7 for 9000Btu/h. 10000Btu/h, 10500Btu/h)

- Only contact an authorized service technician for repair or maintenance of this unit.
- Do not pull, deform or modify the power supply cord or immerse in water. Pulling or misuse of the power supply cord could result in damage to the unit and cause an electrical shock.
- Compliance with national gas regulations should be observed.
- Keep ventilation openings clear of obstructions.
- Any person who is involved with working on or opening a refrigerant circuit should hold a current valid certificate from an industry accredited assessment authority which authorizes their competence to handle refrigerants safely in accordance with an industry recognized assessment specification.
- Servicing should only be performed as recommended by the equipment manufacturer. Maintenance and repair requiring the assistance of other skilled personnel should be carried out under the supervision of a person(s) competent in the use of flammable refrigerants.

- Do not stop the unit by pulling out the power plug whilst in operation as this may cause an electric shock or fire due to heat generation unless strange sounds are heard or if strange smells or smoke appear from the unit.



Specific information regarding appliances with R 290 refrigerant gas.

- Thoroughly read all of the warnings.
- When defrosting and cleaning the appliance, do not use any tools other than those recommended by the manufacturing company.
- The appliance should not be stored in a room with continuously operating ignition sources (for example: open flames, an operating gas appliance or an operating electric heater).
- Do not puncture and do not burn.

- Appliance shall be installed, operated and stored in a room with a floor area larger than X m<sup>2</sup>. (X=4 for 5000Btu/h, 7000Btu/h, 8000Btu/h; X=7.7 for 9000Btu/h, 10000Btu/h, 10500Btu/h)
- This appliance contains Y g (see rating label back of unit ) of R290 refrigerant gas.
- R290 is a refrigerant gas that complies with the European directives on the environment. Do not puncture any part of the refrigerant circuit.
- If the appliance is installed, operated or stored in a non-ventilated area, the room must be designed to prevent to the accumulation of refrigerant leaks that could result in a fire risk or explosion due to ignition of the refrigerant caused by electric heaters, stoves, or other sources of ignition.
- The appliance must be stored in such a way as to prevent mechanical failure.
- Individuals who operate or work on the refrigerant circuit must have the appropriate certification issued by an accredited organization that ensures competence in handling refrigerants according to a specific evaluation recognized by associations in the industry.

- Repairs must be performed based on the recommendation from the manufacturing company. Maintenance and repairs that require the assistance of other qualified personnel must be performed under the supervision of an individual specified in the use of flammable refrigerants.

#### Batteries

- Do not expose the battery to high temperatures or direct sunlight. Never throw batteries into the fire. There is a danger of explosion!
- Keep batteries away from children. Batteries are not a toy!
- Do not open the batteries by force.
- Avoid contact with metallic objects. (Rings, nails, screws et cetera) there is a danger of short-circuiting!
- As a result of a short-circuit batteries may heat up considerably or even catch fire. this may result in burns.
- For your safety the battery poles should be covered with adhesive strips during transport.
- Do not touch a ruptured and/or leaking battery. If the liquid from the battery gets into your eyes, rinse your eyes as soon as

possible with clean water, without rubbing your eyes. Immediately go to the hospital. If it is not treated properly, it can cause eye problems.

- Do not ingest battery, Chemical Burn Hazard;
- This product contains a coin/button cell battery. If the coin/button cell battery is swallowed, it can cause severe internal burns in just 2 hours and can lead to death.
- If the battery compartment does not close securely, stop using the product and keep it away from children.
- If you think batteries might have been swallowed or placed inside any part of the body, seek immediate medical attention.
- The batteries contain materials, which are hazardous to the environment; they must be removed from the appliance before it is scrapped and they are disposed of safely.

**Refrigerant**

(CE) N 842/2006: This unit contains the refrigerant R290. The amount of refrigerant is less than 1kg, and is in a closed cooling circuit. The coolant does have zero ozone depletion potential, but is a so-called greenhouse gases under the Kyoto Protocol and may thus contribute to global warming, if it is released to the atmosphere. Therefore only trained technicians with refrigerant certificate make a

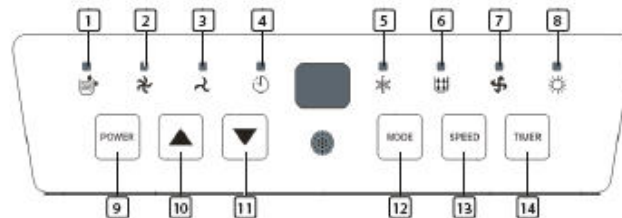
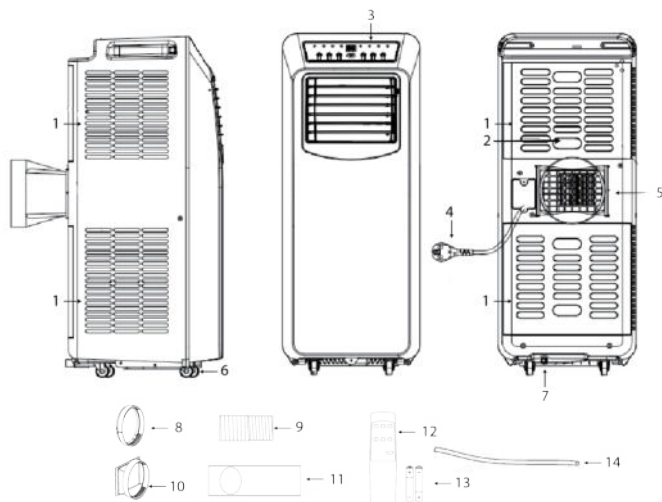
filling or emptying. Your appliance does not have be refilled with refrigerant if used properly and has an undamaged coolant circuit.

GWP: R290: 3

EN

**PARTS DESCRIPTION**

|                  |  |
|------------------|--|
| 1. Air inlet     | 8. Hose connector (window end)           |
| 2. Air filter    | 9. Hot-air exhaust hose                  |
| 3. Control panel | 10. Hose connector (Air conditioner end) |
| 4. Power cord    | 11. Windows slider kit + fixing plugs    |
| 5. Air outlet    | 12. Remote control                       |
| 6. Castor        | 13. Batteries                            |
| 7. Drainage hole | 14. Drainage hose                        |



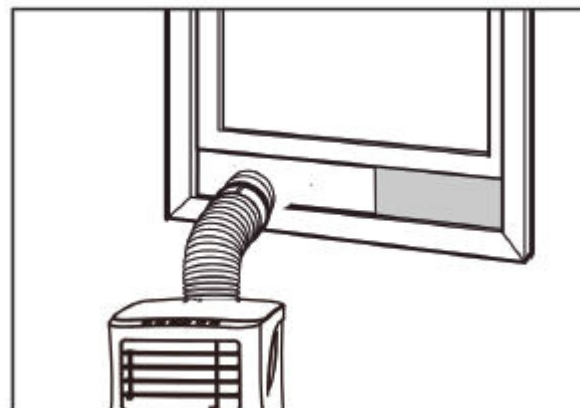
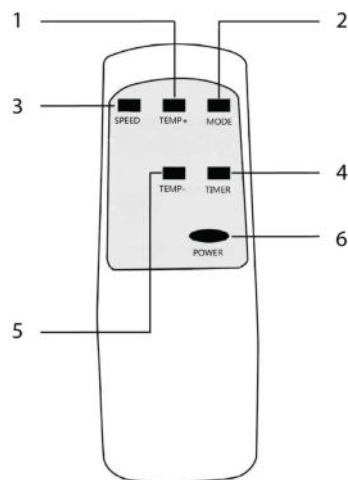
### REMOTE CONTROL

1. Temperature up button
2. Mode button
3. Fan speed adjustment button
4. Timer (on/off) button
5. Temperature down button
6. Power (on/off) button

### FUNCTION OF CONTROL PANEL

|                               |                                 |
|-------------------------------|---------------------------------|
| 1. Water full indicator       | 8. Heat indicator               |
| 2. High ventilation indicator | 9. On/off button                |
| 3. Low ventilation indicator  | 10. Temperature + button        |
| 4. Timer indicator            | 11. Temperature – button        |
| 5. Cool indicator             | 12. Mode button                 |
| 6. Dehumidifier indicator     | 13. Fan speed adjustment button |
| 7. Fan indicator              | 14. Timer on/off button         |





- Insert the power cord into a grounded AC220~240V/50Hz socket.
- Press the power button to turn on the air-conditioner.
- Set the temperature range: 16°C-31°C.
- Check whether the exhaust hose has been mounted properly.
- When using functions on cooling, heating and dehumidifying, allow at least 3 minutes between powering off and powering on.

## BEFORE THE FIRST USE

### Before starting operations in this section:

- Find a place where there is power supply nearby.
- Install the exhaust hose and adjust the window position well.
- The supplied small white clips must be mounted on the window kit.

## USE

### Cooling operation

- Press the "Mode" button till the "Cool" icon appears.
- Press the ▲ or ▼ button to select a desired room temperature.
- Allow around 5 minutes for the cooling to start.
- Press the "fan speed" button to adjust airflow.

### Dehumidifying operation

- Press the “Mode” button until the “dehumidify indicator lamp” blinks.
- The temperature will automatically be selected.
- The fan speed will automatically be selected.

### Heating operation

- Press the “mode” button till the “Heat” icon appears.
- Press the ▲ or ▼ button to select a desired room temperature.
- Allow around 5 minutes for the heating to start.
- Press the “fan speed” button to adjust airflow.

### Timer operation

#### Timer ON setting

- When the air-conditioner is OFF, press the “Timer” button and select a desired ON time and adjust using the temperature buttons.
- The ON time can be adjusted to anytime in 0-24 hours.

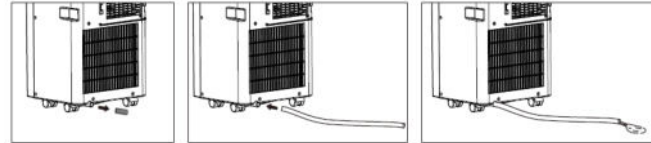
#### Timer OFF setting

- When the air-conditioner ON, press “Timer” button and select a desired OFF time through the temperature buttons.
- The OFF time can be adjusted to anytime in 0-24 hours.

### Drainage

- After a lengthy operation and before storage, you will need to drain the water that has been collected. Please prepare a suitable location or tray to collect the water and remove the rubber stop from the drainage hole at the bottom of the unit. The water will then begin to drain. After this has stopped, you can insert the drain stop.

- You can connect a drainage hose that will allow continuous drainage of the water. Remove the rubber stop and connect a suitable hose. This hose needs to be directed outside or into a suitable drain. Please keep in mind that the water will stream downwards and never upwards.

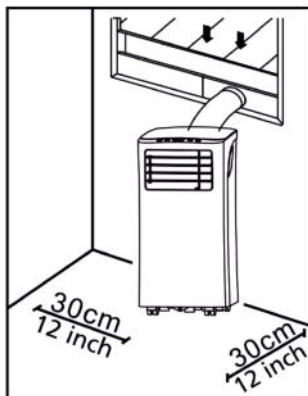


### Internal Tank Water Full Alarm Function

- The inner water tank in the air-conditioner has one water level safety switch that controls the water level. When the water level reaches an anticipated height, the water full indicator lamp lights up. Follow above steps to drain the water.

## INSTALLATION

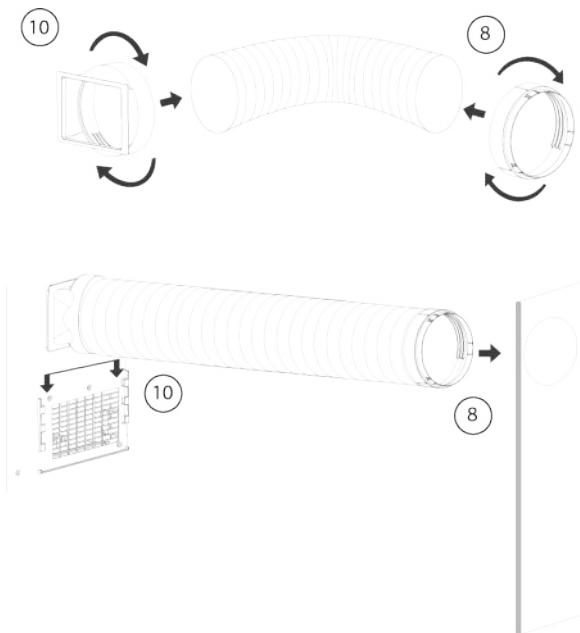
- The air-conditioner should be installed on a flat and stable surface. Do not block the air outlet and allow at least 30cm around the unit.



- Socket wiring should be in accordance with the local electric safety requirements.

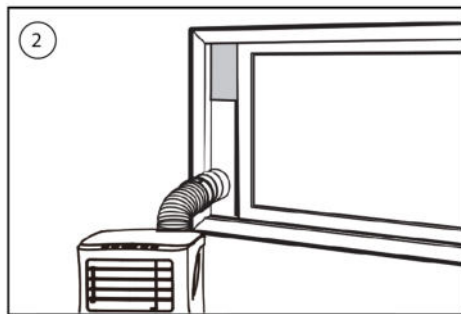
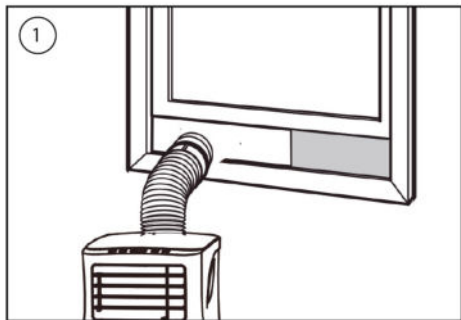
#### Exhaust Hose Installation

- Twist both ends of the hot-air exhaust hose(9) into the hose connector window end(8) and the hose connector air conditioner end(10).
- Insert the hose connector air conditioned end(10) into the openings at the back of the air conditioner.
- Fix the hose connector window end(8) to the nearest windowsill.



#### Window Slider Kit Installation

- Adjust the width (picture 1) or height (picture 2) of the windows slider(11) to fit the window opening and fixate the position of the windows slider(11) with the fixing plugs.
- Slide the window up to the slider.



## CLEANING MAINTENANCE

- Before cleaning, disconnect the unit from any electric supply outlet.
- First clean the surface with a neutral detergent and wet cloth, and then wipe it with a dry cloth.
- Do not use gasoline or other chemicals to clean the unit.
- Do not wash the unit directly.

### Air filter

- The air filter should be cleaned once every two weeks.
- Open the air inlet grille and take off air filter.
- Clean the air filter with neutral detergent in lukewarm 40°C water and allow to dry (not in direct sunlight).
- Re-install the air filter into the inlet grille.

## TROUBLESHOOTING

| Troubles  | Possible Causes  | Suggested Remedies  |
|---|--|---|
| The unit does not start when pressing power button. | <ul style="list-style-type: none"> <li>Water full indicator lamp blinks and water tank is full.</li> <li>Room temperature is higher than the setting temperature. (Electric heating mode)</li> <li>Room temperature is lower than the setting temperature. (Cooling mode)</li> </ul> | <ul style="list-style-type: none"> <li>Drain the water out of the water tank.</li> <li>Adjust the temperature.</li> </ul> |

|                                 |   |   |
|---------------------------------|---|---|
| The unit doesn't cool enough.   | <ul style="list-style-type: none"> <li>The doors or windows are not closed.</li> <li>There are heat sources inside the room.</li> <li>Hot air exhaust hose is not connected or blocked.</li> <li>Temperature setting is too high.</li> <li>Air inlet is blocked.</li> </ul> | <ul style="list-style-type: none"> <li>Make sure all the windows and doors are closed.</li> <li>Remove the heat sources if possible.</li> <li>Connect or clean the hot air exhaust hose.</li> <li>Reset the temperature.</li> <li>Clean the air inlet.</li> </ul> |
| Auto Power-Off in heating mode. | <ul style="list-style-type: none"> <li>Heating protection, when the temperature at the air outlet exceeds 70 degrees, the unit will power off automatically.</li> </ul>   | <ul style="list-style-type: none"> <li>Allow room temperature to cool before re-starting the unit.</li> </ul>   |

|             |  |   |
|-------------|--|---|
| Noisy.      | <ul style="list-style-type: none"> <li>The ground is not level or not flat enough.</li> <li>The sound comes from the flowing of the refrigerant inside the air conditioner.</li> </ul> | <ul style="list-style-type: none"> <li>Place unit on a flat, level ground if possible.</li> </ul> |
| E0 Code.    | <ul style="list-style-type: none"> <li>Room temperature sensor failed.</li> </ul>  | <ul style="list-style-type: none"> <li>Replace room temperature sensor.</li> </ul>                |
| E2/E4 Code. | <ul style="list-style-type: none"> <li>Water tank full</li> </ul>  | <ul style="list-style-type: none"> <li>Please empty the water tank.</li> </ul>                    |

**TABLE AC-5560**

|   |               |              |             |
|---|---------------|--------------|-------------|
| Information requirements for single and double duct air conditioners      |               |              | P           |
| Information to identify the model(s) to which the information relates to: |               |              |             |
| <b>Description</b>  | <b>Symbol</b> | <b>Value</b> | <b>Unit</b> |
| Rated capacity for cooling  | Prated        | 2,9          | kW          |
| Rated capacity for heating  | Prated        | 2,7          | kW          |
| Rated power input for cooling   | Peer          | 1,115        | kW          |

|  |               |   |             |
|--|---------------|---|-------------|
| Rated power input for heating  | Pcop          | 1,173                                     | kW          |
| Thermostat-off mode power consumption  | Pto           | N/A                                       | W           |
| Standby mode power consumption   | Psb           | 0,5                                       | W           |
| OFF mode power consumption   | Poff          | N/A                                       | W           |
| Crankcase heater mode power consumption  | Pck           | N/A                                       | W           |
| Information to identify the model(s) to which the information relates to:                              |               |   |             |
| <b>Description</b>   | <b>Symbol</b> | <b>Value</b>                              | <b>Unit</b> |
| Rated Energy efficiency ratio  | EERrated      | 2,60                                      |             |
| Rated Coefficient of performance   | COPrated      | 2,3                                       |             |
| Electricity consumption of single/double duct appliances (indicate for cooling and heating seperately) | Qsd           | SD: 1,15 (Cooling)<br>SD: 1,173 (Heating) | kWh/h       |
| Electricity consumption of double ducts appliance  | Qdd           | N/A                                       | kWh/h       |
| Sound power level  | Lwa           | 65  | dB(A)       |

## THE PRODUCT OR EQUIPMENT CONTAINS FLUORINATED GREENHOUSE GAS.

|                           |         |
|---------------------------|---------|
| Art.nr.                   | AC-5560 |
| Coolant:                  | R290    |
| Quantity in kg:           | 0,215   |
| Global Warming Potential: | 3       |
| CO2 Equivalent in tons:   | 0,0007  |

## ENVIRONMENT



This appliance should not be put into the domestic garbage at the end of its durability, but must be offered at a central point for the recycling of electric and electronic domestic appliances. This symbol on the appliance, instruction manual and packaging puts your attention to this important issue. The materials used in this appliance can be recycled. By recycling of used domestic appliances you contribute an important push to the protection of our environment. Ask your local authorities for information regarding the point of recollection.

The European directive for batteries (2006/66/EC) states that it is not permitted to throw batteries away with the household waste. They may contain substances which are harmful to the environment. Empty batteries can be handed over to a local, public collection point or a local recycling centre. To avoid overheating as a result of a short circuit, lithium batteries must be removed from the product and the poles must be protected using insulation tape or some other means against short-circuiting.

You can find all available information and spare parts at [www.tristar.eu](http://www.tristar.eu)

## VEILIGHEID

- Lees deze gebruiksaanwijzing zorgvuldig door voor een correct(e) gebruik, onderhoud en installatie.
  - Als u de veiligheidsinstructies negeert, kan de fabrikant niet verantwoordelijk worden gehouden voor de mogelijke schade.
  - Het apparaat is alleen geschikt voor gebruik binnenshuis.
  - Sluit het apparaat niet aan op een stopcontact dat beschadigd is of niet correct is geïnstalleerd.
  - Gebruik het apparaat niet:
    - in de buurt van vuur.
    - in een gebied met een grote kans op spattende olie.
    - in een gebied dat wordt blootgesteld aan direct zonlicht.
    - in een gebied met een grote kans op spattend water.
    - in de buurt van een bad, douche of zwembad.
  - Steek nooit uw vingers of voorwerpen in de luchtuitlaat. Waarschuw vooral kinderen voor deze gevaren.
- Zorg dat het apparaat rechtop blijft staan wanneer u het vervoert en opbergt.
  - Zorg dat u altijd de stroomtoevoer uitschakelt en loskoppelt voordat u het apparaat reinigt.
  - Zorg dat u altijd de stroomtoevoer uitschakelt en loskoppelt voordat u het apparaat verplaatst.





- **WAARSCHUWING:** Om brandgevaar te voorkomen raden we u aan het apparaat niet te bedekken.
- Alle aansluitingen van het apparaat moeten voldoen aan de lokale veiligheidsvoorschriften voor elektriciteit. Controleer zo nodig of dit het geval is.

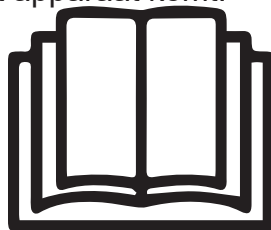
- Als het netsnoer beschadigd is, moet het worden vervangen door de fabrikant, de onderhoudsmonteur van de fabrikant of door personen met een soortgelijke kwalificatie om gevaar te voorkomen.
- Als het netsnoer is beschadigd, moet het om gevaarlijke situaties te voorkomen worden vervangen door de fabrikant, diens servicevertegenwoordiger of een bevoegde persoon.
- Dit apparaat mag door kinderen jonger dan 8 jaar, personen met verminderde lichamelijke, zintuiglijke of verstandelijke capaciteiten of gebrek aan kennis worden gebruikt, mits dit gebeurt onder goed toezicht of zij juiste instructies hebben gekregen over het gebruik van het apparaat en de gevaren van het gebruik begrijpen. Kinderen mogen niet spelen met het apparaat. Het apparaat mag niet zonder toezicht worden gereinigd of onderhouden door kinderen.
- Dit apparaat is uitsluitend voor huishoudelijk gebruik en voor het doel waar het voor bestemd is.
- Opmerkingen:

- In geval van schade schakelt u het apparaat uit, koppelt u de stroomtoevoer los en neemt u contact op met de dealer of een aangewezen reparatiebedrijf.
- Het netsnoer moet altijd stevig worden geaard.
- Om gevaarlijke situaties te voorkomen, moet u de stroomtoevoer loskoppelen als het netsnoer is beschadigd. Laat het snoer vervangen door de dealer of een hiertoe aangewezen reparatiebedrijf.

**Waarschuwing**

- Volg uitsluitend het aanbevolen ontdooi- en reinigingsproces van de fabrikant. Probeer het ontdooi- of reinigingsproces op geen enkele andere manier te versnellen.
  - Het apparaat moet worden opgeslagen in een ruimte zonder voortdurend werkende ontstekingsbronnen (bijvoorbeeld: open vlammen, een werkend gasapparaat of een werkende elektrische verwarming).
  - Doorboor of verbrand het apparaat niet.
  - Houd er rekening mee dat koelmiddelen geurloos kunnen zijn.
  - Het apparaat moet worden geïnstalleerd, gebruikt en opgeslagen in een ruimte met een vloeroppervlak van meer dan X m<sup>2</sup>.  
(X=4 voor 5000 Btu/u, 7000 Btu/u, 8000 Btu/u; X=7,7 voor 9000 Btu/u, 10.000 Btu/u, 10.500 Btu/u)
- Neem uitsluitend contact op met een bevoegde onderhoudsmonteur voor reparatie- of onderhoudswerkzaamheden aan dit apparaat.
  - Trek niet aan het netsnoer en vervorm of wijzig het niet. Dompel het ook niet onder in water. Door aan het netsnoer te trekken of het verkeerd te gebruiken, kunt u het apparaat beschadigen en een elektrische schok veroorzaken.
  - Het is verplicht de nationale gasvoorschriften in acht te nemen.
  - Zorg dat de ventilatieopeningen niet worden geblokkeerd.
  - Mensen die werken aan een koelcircuit of zo'n circuit openen, moeten in het bezit zijn van een actueel, geldig certificaat van een door de branche geaccrediteerde beoordelingsautoriteit dat bevestigt dat ze bekwaam zijn in een veilige omgang met koelmiddelen conform een door de branche erkende beoordelingsspecificatie.

- Reparatiewerkzaamheden mogen alleen worden uitgevoerd voor zover deze zijn aanbevolen door de fabrikant van de apparatuur. Onderhouds- en reparatiewerkzaamheden waarbij de hulp van ander geschoold personeel nodig is, moeten worden uitgevoerd onder toezicht van een of meer personen die bekwaam zijn in het gebruik van brandbare koelmiddelen.
- Stop het apparaat niet door het netsnoer uit het stopcontact te trekken terwijl het apparaat is ingeschakeld. De warmte die hierbij ontstaat, kan namelijk een elektrische schok of brand veroorzaken. De enige situaties waarin u dit wel mag doen, is als u vreemde geluiden hoort, een vreemde geur ruikt of er rook uit het apparaat komt.



Specifieke informatie over apparaten met R290-koelgas.

- Lees alle waarschuwingen zorgvuldig door.

- Bij het ontdoeien en reinigen van het apparaat mogen alleen de hulpmiddelen worden gebruikt die door het productiebedrijf worden aangeraden.
- Het apparaat mag niet worden opgeslagen in een ruimte met voortdurend werkende ontstekingsbronnen (bijvoorbeeld: open vuur, een werkend gasapparaat of een werkende elektrische verwarming).
- Doorboren of verbranden is niet toegestaan.
- Het apparaat moet worden geïnstalleerd, gebruikt en opgeslagen in een ruimte met een vloeroppervlak van meer dan X m<sup>2</sup>. (X=4 voor 5000 Btu/u, 7000 Btu/u, 8000 Btu/u; X=7,7 voor 9000 Btu/u, 10.000 Btu/u, 10.500 Btu/u)
- Dit apparaat bevat Y g (zie het typeplaatje aan de achterkant van het apparaat) R290-koelgas.
- R290 is een koelgas dat voldoet aan de Europese milieुरichtlijnen. Doorboor geen enkel deel van het koelcircuit.
- Als het apparaat wordt geïnstalleerd, gebruikt of opgeslagen in een niet-geventileerde ruimte, moet de ruimte zijn ontworpen om de ophoping van koelmiddel in geval van lekkages te voorkomen.

NL

Koelmiddellekkages kunnen de kans op brand of explosies vergroten doordat elektrische verwarmingen, fornuizen of andere ontstekingsbronnen ervoor zorgen dat het koelmiddel ontbrandt.

- Het apparaat moet dusdanig worden opgeslagen dat mechanische storingen worden voorkomen.
- Mensen die werken aan het koelcircuit of het bedienen, moeten in het bezit te zijn van de juiste certificering, die is verleend door een geaccrediteerde organisatie en die garandeert dat ze vaardig zijn in de omgang met koelmiddelen in overeenstemming met een specifieke evaluatie die wordt erkend door brancheverenigingen.
- Reparaties moeten worden uitgevoerd op basis van de aanbevelingen van het productiebedrijf. Onderhouds- en reparatiewerkzaamheden waarbij de hulp van ander geschoold personeel is vereist, moeten worden uitgevoerd onder het toezicht van degene die kundig is in het gebruik van brandbare koelmiddelen.

#### Batterijen

- Stel de batterij niet bloot aan hoge temperaturen of direct zonlicht. Gooi batterijen nooit in het vuur. Er bestaat explosiegevaar!
- Houd batterijen uit de buurt van kinderen. Batterijen zijn geen speelgoed!
- Open de batterijen niet met geweld.
- Vermijd contact met metalen voorwerpen. (Ringen, spijkers, schroeven enzovoort) er is gevaar van kortsluiting!
- Als gevolg van kortsluiting kunnen batterijen aanzienlijk warm worden of zelfs vlam vatten. dit kan leiden tot brandwonden.
- Voor jouw veiligheid moeten de accupolen tijdens het transport worden afgedekt met plakstrips.
- Raak een kapotte en/of lekkende batterij niet aan. Als de vloeistof van de batterij in je ogen komt, spoel je ogen dan zo snel mogelijk uit met schoon water, zonder in je ogen te wrijven. Ga onmiddellijk naar het ziekenhuis. Als het niet goed behandeld wordt, kan het oogproblemen veroorzaken.
- Slik de batterij niet in, chemisch brandgevaar;

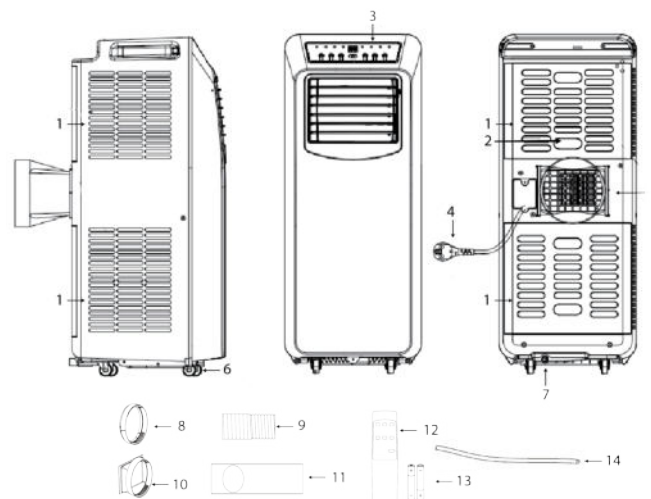
- Dit product bevat een knoopcelbatterij. Als de knoopcelbatterij wordt ingeslikt, kan dit binnen 2 uur ernstige inwendige brandwonden veroorzaken en tot de dood leiden.
- Als het batterijvak niet goed sluit, gebruik het product dan niet meer en houd het uit de buurt van kinderen.
- Als je vermoedt dat batterijen zijn ingeslikt of in het lichaam terecht zijn gekomen, zoek dan onmiddellijk medische hulp.
- De batterijen bevatten materialen die gevaarlijk zijn voor het milieu; ze moeten uit het apparaat worden verwijderd voordat het wordt afgedankt en ze moeten op een veilige manier worden afgevoerd.

#### Koelmiddel

(CE) N 842/2006: Dit apparaat bevat het koelmiddel R290. De hoeveelheid koelmiddel bedraagt minder dan 1 kg en het koelmiddel bevindt zich in een gesloten koelcircuit. Het koelmiddel draagt niet bij aan ozonafbraak, maar is volgens het Kyotoprotocol wel een broeikasgas en kan daardoor bijdragen aan de opwarming van de aarde wanneer het in de atmosfeer terecht komt. Daarom mogen vul- en leegwerkzaamheden alleen worden uitgevoerd door gekwalificeerde technici met een koelcertificaat. Het apparaat hoeft niet opnieuw met koelmiddel te worden gevuld als het correct wordt gebruikt en het koelcircuit onbeschadigd is. GWP (aardopwarmingsvermogen): R290: 3

## BESCHRIJVING VAN ONDERDELEN

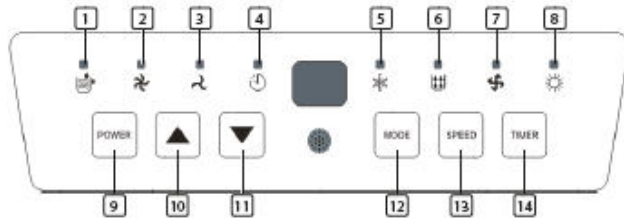
|                     |  |
|---------------------|--|
| 1. Luchtinlaat      | 8. Slangaansluiting (raamuiteinde)             |
| 2. LuchtfILTER      | 9. Hetelucht-uitlaatslang                      |
| 3. Bedieningspaneel | 10. Slangaansluiting (uiteinde airconditioner) |
| 4. Stroomkabel      | 11. Raamschuifset + bevestigingspluggen        |
| 5. Luchtuitleat     | 12. Afstandsbediening                          |
| 6. Wieltjes         | 13. Batterijen                                 |
| 7. Afvoeropening    | 14. Afvoerslang                                |



NL

## WERKING VAN HET BEDIENINGSPANEEEL

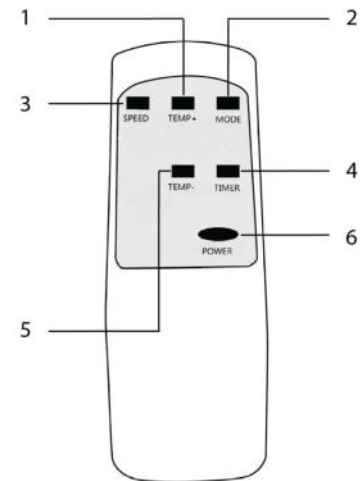
|  |                                       |
|--|---------------------------------------|
| 1. Indicator voor vol waterreservoir   | 8. Indicator voor verwarming          |
| 2. Indicator voor hoge ventilatiestand | 9. Aan/uit-knop                       |
| 3. Indicator voor lage ventilatiestand | 10. Knop voor hogere temperatuur      |
| 4. Indicator voor timer                | 11. Knop voor lagere temperatuur      |
| 5. Indicator voor koeling              | 12. Modusknop                         |
| 6. Indicator voor ontvochtiger         | 13. Regelknop voor ventilatorsnelheid |
| 7. Indicator voor ventilator           | 14. Timerknop (aan/uit)               |



### AFSTANDSBEDIENING

1. Knop voor hogere temperatuur
2. Modusknop
3. Regelknop voor ventilatorsnelheid

4. Timerknop (aan/uit)
5. Knop voor lagere temperatuur
6. Aan/uit-knop

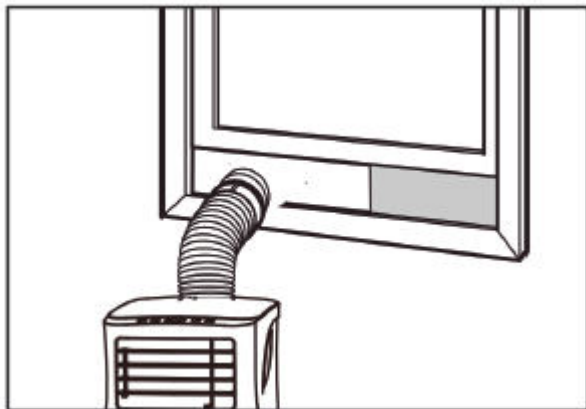


## VÓÓR HET EERSTE GEBRUIK

Voordat u de handelingen in dit gedeelte uitvoert:

- Kies een geschikte locatie in de buurt van een stroomvoorziening.
- Installeer de afvoerslang en zorg dat het raam in de juiste stand staat.

- De meegeleverde kleine witte klemmen moeten op de raamset worden gemonteerd.



- Sluit het netsnoer aan op een geaard stopcontact van AC 220~240 V/50 Hz.
- Druk op de aan/uit-knop om de airconditioner in te schakelen.
- Stel het temperatuurbereik in: 16°C-31°C.
- Controleer of de afvoerslang correct is gemonteerd.
- Wanneer u koel-, verwarmings- en ontvochtigingsfuncties gebruikt, moet u minstens 3 minuten wachten tussen het uit- en inschakelen.

## GEBRUIK

### Koelen

- Druk op de modusknop tot het pictogram voor koeling wordt weergegeven.
- Druk op de knop ▲ of ▼ om de gewenste temperatuur voor de ruimte te selecteren.
- Het duurt ongeveer 5 minuten voordat het koelen wordt gestart.
- Druk op de knop voor de ventilatorsnelheid om de luchtstroom aan te passen.

### Ontvochtigen

- Druk op de modusknop tot het lampje voor ontvochtiging begint te knipperen.
- De temperatuur wordt automatisch geselecteerd.
- De ventilatorsnelheid wordt automatisch geselecteerd.

### Verwarmen

- Druk op de modusknop tot het verwarmingspictogram verschijnt.
- Druk op de knop ▲ of ▼ om de gewenste temperatuur voor de ruimte te selecteren.
- Het duurt ongeveer 5 minuten voordat het verwarmen wordt gestart.
- Druk op de knop voor de ventilatorsnelheid om de luchtstroom aan te passen.

### De timer instellen

#### Inschakeltijd van timer instellen

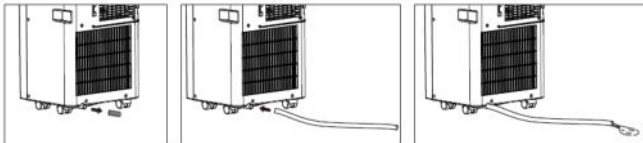
- Wanneer de airconditioner is uitgeschakeld, drukt u op de timerknop en selecteert u de gewenste inschakeltijd met behulp van de temperatuurknoppen.
- De inschakeltijd kan worden ingesteld tussen 0 en 24 uur.

#### Uitschakeltijd van timer instellen

- Wanneer de airconditioner is ingeschakeld, drukt u op de timerknop en selecteert u de gewenste uitschakeltijd met behulp van de temperatuurknoppen.
- De uitschakeltijd kan worden ingesteld tussen 0 en 24 uur.

### Water afvoeren

- Wanneer u het apparaat lange tijd hebt gebruikt en voordat u het opslaat, moet u het opgehoopte water afvoeren. Bereid een geschikte locatie of bak voor om het water op te vangen. Verwijder vervolgens de rubberen stop uit het afvoergat aan de onderkant van het apparaat. Het water loopt nu uit het apparaat. Als er geen water meer uit het apparaat loopt, kunt u de afvoerstop aanbrengen.
- Je kunt een afvoerslang aansluiten, zodat het water continu wordt afgevoerd. Verwijder de rubberen stop en sluit een geschikte slang aan. Deze slang moet naar buiten of naar een geschikte afvoer worden geleid. Houd er rekening mee dat het water naar beneden stroomt en nooit omhoog.

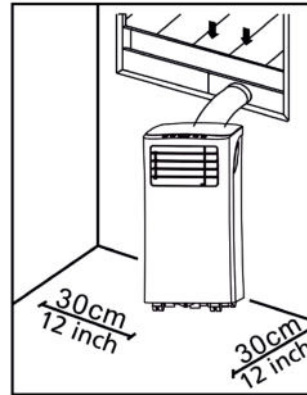


### Alarmpunctie voor vol intern waterreservoir

- Het waterreservoir in de airconditioner is uitgerust met een veiligheidsschakelaar om het waterpeil te controleren. Wanneer het waterpeil een verwachte hoogte bereikt, gaat er een lampje branden om aan te geven dat het waterreservoir vol is. Voer de bovenstaande stappen uit om het water af te voeren.

## INSTALLATIE

- De airconditioner moet op een vlakke en stabiele ondergrond worden geplaatst. Blokkeer de luchtuitlaat niet en laat minstens 30 cm rond het apparaat vrij.

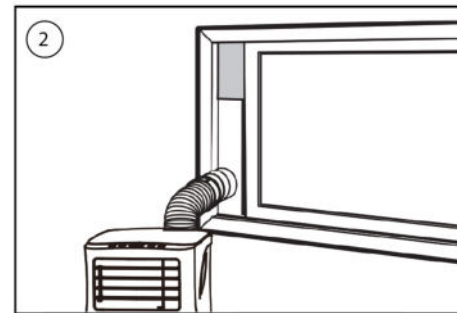
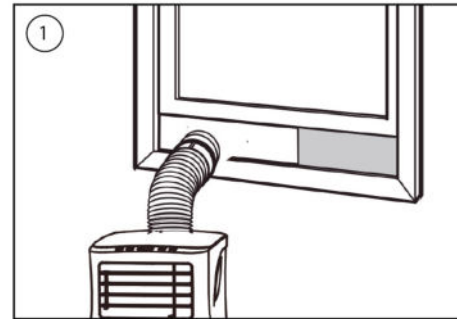
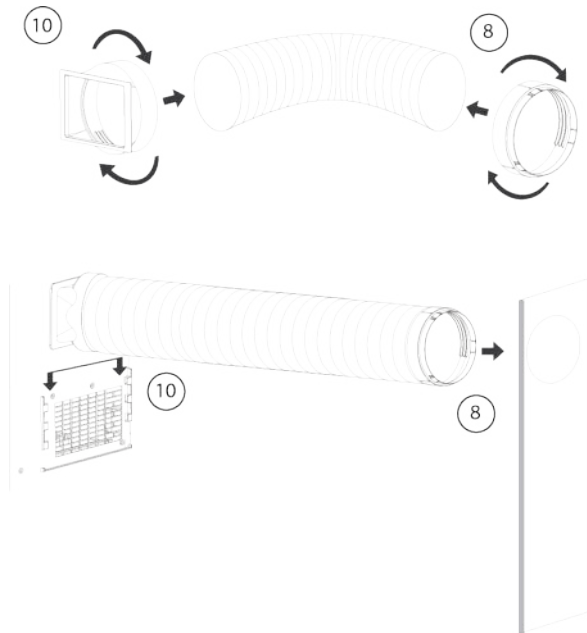


- De bedrading van stopcontacten moet voldoen aan de plaatselijke elektrische veiligheidsvoorschriften.

### Uitlaatslang installatie

- Draai beide uiteinden van de heteluchtuitlaatslang(9) in het uiteinde van de slangaansluiting voor het raam(8) en het uiteinde van de slangaansluiting voor de airconditioner(10).
- Steek het slanguiteinde (10) van de airconditioner in de opening aan de achterkant van de airconditioner.
- Bevestig de slangaansluiting (8) voor het raam op de dichtstbijzijnde vensterbank.





**Installatie schuifraamset**

- Pas de breedte (afbeelding 1) of hoogte (afbeelding 2) van de schuifraamset (11) aan de raamopening aan en zet de positie van de schuifraamset(11) vast met de bevestigingspluggen.
- Schuif het venster omhoog naar de schuifraamset.

## SCHOONMAAKONDERHOUD

- Koppel het apparaat los van het stopcontact voordat u het reinigt.
- Maak het oppervlak eerst schoon met een neutraal schoonmaakmiddel en een natte doek en vervolgens met een droge doek.
- Gebruik geen benzine of andere chemicaliën om het apparaat schoon te maken.
- Was het apparaat niet direct.

### Luchtfilter

- Het luchtfilter moet om de twee weken worden gereinigd.
- Open het rooster van de luchtinlaat en verwijder het luchtfilter.
- Reinig het luchtfilter met een neutraal reinigingsmiddel in lauw water van 40°C en laat het drogen (niet in direct zonlicht).
- Plaats het luchtfilter terug in het inlaatrooster.

## PROBLEMEN OPLOSSEN

| Probleem | Mogelijke oorzaken | Voorgestelde oplossingen |
|----------|--------------------|--------------------------|
|----------|--------------------|--------------------------|

|   |  |  |
|---|--|--|
| <p>Het apparaat wordt niet ingeschakeld wanneer u op de aan/uit-knop drukt.</p> | <ul style="list-style-type: none"> <li>• Het lampje voor het waterreservoir knippert en het reservoir is vol.</li> <li>• De kamertemperatuur is hoger dan de ingestelde temperatuur. (elektrische-verwarmingsmodus)</li> <li>• De kamertemperatuur is lager dan de ingestelde temperatuur. (koelmodus)</li> </ul>                  | <ul style="list-style-type: none"> <li>• Laat het water uit het waterreservoir lopen.</li> <li>• Wijzig de temperatuur.</li> </ul>   |
| <p>Het apparaat koelt niet voldoende.</p>                                       | <ul style="list-style-type: none"> <li>• Deuren of ramen zijn niet gesloten.</li> <li>• Er bevinden zich warmtebronnen in de ruimte.</li> <li>• De afvoerslang voor warmte lucht is niet aangesloten of wordt geblokkeerd.</li> <li>• De temperatuur is te hoog ingesteld.</li> <li>• De luchtinlaat wordt geblokkeerd.</li> </ul> | <ul style="list-style-type: none"> <li>• Zorg dat alle ramen en deuren gesloten zijn.</li> <li>• Verwijder de warmtebronnen zo mogelijk.</li> <li>• Sluit de afvoerslang voor warmte lucht aan of reinig de slang.</li> <li>• Stel de temperatuur opnieuw in.</li> <li>• Reinig de luchtinlaat.</li> </ul> |

|  |   |   |
|--|---|---|
| Het apparaat wordt automatisch uitgeschakeld in de verwarmingsmodus. | <ul style="list-style-type: none"> <li>Warmtebescherming: wanneer de temperatuur bij de luchtuitlaat stijgt tot meer dan 70 graden, wordt het apparaat automatisch uitgeschakeld.</li> </ul>        | <ul style="list-style-type: none"> <li>Laat de temperatuur in de ruimte afkoelen voordat u het apparaat opnieuw start.</li> </ul> |
| Het apparaat maakt veel geluid.                                      | <ul style="list-style-type: none"> <li>De ondergrond is niet waterpas of niet vlak genoeg.</li> <li>Het geluid wordt veroorzaakt door het koelmiddel dat door de airconditioner stroomt.</li> </ul> | <ul style="list-style-type: none"> <li>Plaats het apparaat zo mogelijk op een vlakke ondergrond die waterpas is.</li> </ul>       |
| Code E0.   | <ul style="list-style-type: none"> <li>De sensor voor de ruimtetemperatuur is defect.</li> </ul>  | <ul style="list-style-type: none"> <li>Vervang de sensor voor de ruimtetemperatuur.</li> </ul>                                    |
| Code E2/E4.  | <ul style="list-style-type: none"> <li>Het waterreservoir is vol.</li> </ul>  | <ul style="list-style-type: none"> <li>Maak het waterreservoir leeg.</li> </ul>   |

**TABEL AC-5560**

|  |                  |               |                |
|--|------------------|---------------|----------------|
| Informatievereisten voor airconditioners met één luchtkanaal en met twee luchtkanalen            |                  |               | P              |
| Informatie ter identificatie van het model of de modellen waarop de informatie betrekking heeft: |                  |               |                |
| <b>Beschrijving</b>  | <b>Pictogram</b> | <b>Waarde</b> | <b>Eenheid</b> |
| Nominaal vermogen voor koeling   | Geprijsd         | 2,9           | kW             |
| Nominaal vermogen voor verwarming  | Geprijsd         | 2,7           | kW             |
| Nominaal opgenomen vermogen voor koeling   | Peer             | 1,115         | kW             |
| Nominaal opgenomen vermogen voor verwarming  | Pcop             | 1,173         | kW             |
| Stroomverbruik in uitgeschakelde thermostaatmodus  | Pto              | N.v.t.        | W              |
| Stroomverbruik in stand-by   | Psb              | 0,5           | W              |
| Stroomverbruik in uit-stand  | Poff             | N.v.t.        | W              |
| Stroomverbruik carterverwarming  | Pck              | N.v.t.        | W              |
| Informatie ter identificatie van het model of de modellen waarop de informatie betrekking heeft: |                  |               |                |
| <b>Beschrijving</b>  | <b>Pictogram</b> | <b>Waarde</b> | <b>Eenheid</b> |

NL

|   |                 |  |       |
|---|-----------------|--|-------|
| Nominale energie-efficiëntieverhouding  | EER-gewaardeerd | 2,60   |       |
| Geschatte prestatiecoëfficiënt  | COPrated        | 2,3  |       |
| Elektriciteitsverbruik van enkel-/dubbelkanaalstoestellen (apart aangeven voor koelen en verwarmen) | Qsd             | SD: 1,15 (Koeling)<br>SD: 1.173 (verwarming) | kWh/u |
| Elektriciteitsverbruik van apparaat met dubbele kanalen   | Qdd             | N.v.t.                                       | kWh/u |
| Geluidsvermogensniveau  | Lwa             | 65   | dB(A) |

## HET PRODUCT OF APPARAAT BEVAT GEFLUOREERD BROEIKASGAS.

|                         |         |
|-------------------------|---------|
| Artikelnr.              | AC-5560 |
| Koelvloeistof:          | R290    |
| Hoeveelheid in kg:      | 0,215   |
| Aardopwarmingsvermogen: | 3       |
| CO2-equivalent in ton:  | 0,0007  |

## MILIEU



Het apparaat mag niet worden weggegooid met het huisvuil na beëindiging van de nuttige levensduur, maar moet worden ingeleverd op een centraal punt voor de recycling van elektrische en elektrische huishoudelijke apparaten. Dit symbool op het apparaat, in de instructiehandleiding en op de verpakking vestigt de aandacht op dit belangrijke punt. De materialen die in dit apparaat zijn gebruikt kunnen worden gerecycled. Door gebruikte huishoudelijke apparaten te recyclen, draagt u in belangrijke mate bij aan de bescherming van ons milieu. Vraag uw plaatselijke autoriteiten om inlichtingen over het inzamelpunt.

Volgens de Europese richtlijn voor batterijen (2006/66/EC) is het niet toegestaan om batterijen weg te gooien als huishoudelijk afval. Ze kunnen stoffen bevatten die schadelijk zijn voor het milieu. U kunt lege batterijen inleveren bij een lokaal openbaar inzamelpunt of een lokaal recyclingpunt. Om oververhitting als gevolg van kortsluiting te voorkomen moeten lithiumbatterijen uit het product worden verwijderd en moeten de polen met isolatietape of een ander materiaal worden afgeschermd.

Alle beschikbare informatie en gegevens over reserveonderdelen zijn te vinden op [www.tristar.eu](http://www.tristar.eu)!

## SÉCURITÉ

- Veuillez lire attentivement ce mode d'emploi pour veiller à une utilisation, un entretien et une installation appropriés.
- Si vous ignorez les consignes de sécurité, le fabricant ne peut être tenu pour responsable des dommages.
- L'appareil est uniquement conçu pour un usage intérieur.
- Ne pas utiliser l'appareil sur une prise de courant endommagée ou mal installée.
- Ne pas utiliser l'appareil :
  - près d'une source d'ignition.
  - à proximité d'éclaboussures possibles d'huile.
  - dans un espace exposé à la lumière directe du soleil.
  - à proximité d'éclaboussures possibles d'eau.
  - près d'un bain, d'une douche ou d'une piscine.
- Ne jamais insérer les doigts ou d'autres objets dans la sortie d'air. Soyez particulièrement attentif à avertir les enfants de ces dangers.

- Maintenir l'appareil vers le haut pendant le transport et le stockage.
- Toujours couper l'alimentation ou déconnecter l'appareil avant de le nettoyer.
- Toujours couper l'alimentation et le débrancher avant de déplacer l'appareil.



- **AVERTISSEMENT** : Pour éviter tout risque d'incendie, ne pas couvrir l'appareil.

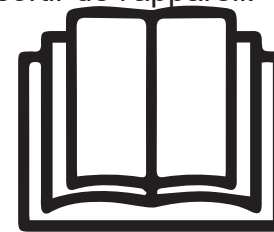
- Toutes les prises doivent être conformes aux exigences locales de sécurité électrique. Vérifiez si nécessaire.
- Si le cordon d'alimentation est endommagé, il doit être remplacé par le fabricant, son réparateur ou des personnes qualifiées afin d'éviter tout risque.
- Si le cordon d'alimentation est endommagé, il doit être remplacé par le fabricant, son agent de service ou des personnes qualifiées afin d'éviter tout risque.
- Cet appareil peut être utilisé par des enfants à partir de 8 ans et par des personnes ayant des capacités physiques, sensorielles ou mentales réduites ou un manque d'expérience et de connaissances si elles bénéficient d'une supervision ou d'instructions concernant l'utilisation de l'appareil en toute sécurité et comprennent les risques que cela suppose. Les enfants ne doivent pas jouer avec l'appareil. Le nettoyage et l'entretien ne peuvent être assurés par des enfants sans surveillance.
- Cet appareil est uniquement destiné à des utilisations domestiques et seulement dans le but pour lequel il est fabriqué.
- Remarques :
  - En cas de dommages, couper l'alimentation électrique et contacter le distributeur ou un atelier de réparation agréé.
  - Dans tous les cas, le cordon d'alimentation doit être solidement mis à la terre.
  - Pour éviter tout risque, si le cordon d'alimentation est endommagé, veuillez couper l'alimentation électrique. Veuillez contacter le distributeur ou un atelier de réparation agréée pour le remplacer.

**Avertissement**

- Veuillez utiliser uniquement le procédé de décongélation et de nettoyage recommandé par le fabricant. Ne jamais accélérer le processus de décongélation ou de nettoyage autrement.
- L'appareil doit être entreposé dans un local sans source d'inflammation permanente (par exemple : flammes nues, appareil à gaz en fonctionnement ou chauffage électrique en fonctionnement).
- Ne pas percer ou brûler.
- Attention, les réfrigérants ne doivent contenir aucun parfum.

- L'appareil doit être installé, actionné et entreposé dans un local d'une superficie supérieure à X m<sup>2</sup>. (X=4 pour 5000Btu/h, 7000Btu/h, 8000Btu/h ; hX=7,7 pour 9000Btu/h, 10000Btu/h, 10500Btu/h)
- Contactez uniquement un technicien de service agréé pour la réparation ou la maintenance de cette unité.
- Ne tirez pas sur le cordon d'alimentation, ne le déformez ou ne le modifiez pas, et ne l'immergez pas dans de l'eau. Tirer ou mal utiliser le cordon d'alimentation peut endommager l'appareil et provoquer une électrocution.
- Attention à respecter la réglementation nationale relative au gaz.
- Veillez à ce que les ouvertures de ventilation ne soient pas obstruées.
- Toute personne travaillant sur un circuit frigorifique ou qui y pénètre doit être titulaire d'un certificat valide délivré par un organisme d'évaluation accrédité par le secteur l'autorisant à manipuler les réfrigérants en toute sécurité conformément à une de ses normes d'évaluation reconnues.

- L'entretien ne doit être effectué que selon les recommandations du fabricant de l'équipement. L'entretien et les réparations nécessitant l'assistance d'un autre personnel qualifié doivent être effectués sous la supervision de la ou des personnes compétentes pour l'utilisation des réfrigérants inflammables.
- N'arrêtez pas l'appareil en insérant ou en retirant la fiche d'alimentation pendant qu'il fonctionne, cela pourrait provoquer un choc électrique ou un incendie sous l'effet de la chaleur, à moins d'entendre des bruits bizarres, de sentir une odeur inhabituelle ou de voir de la fumée sortir de l'appareil.



Informations spécifiques concernant les appareils avec un gaz réfrigérant R 290.

- Lisez attentivement tous les avertissements.

- Pour dégivrer et nettoyer l'appareil, n'utilisez pas d'autres outils que ceux recommandés par le fabricant.
- L'appareil ne doit pas être entreposé dans un local avec une source d'inflammation permanente (par exemple : flammes nues, appareil à gaz en fonctionnement ou chauffage électrique en fonctionnement).
- Ne pas percer, ni brûler.
- L'appareil doit être installé, actionné et entreposé dans un local d'une superficie supérieure à X m<sup>2</sup>. (X=4 pour 5000Btu/h, 7000Btu/h, 8000Btu/h ; hX=7,7 pour 9000Btu/h, 10000Btu/h, 10500Btu/h)
- Cet appareil contient Y g (voir la plaque signalétique au dos de l'appareil) de gaz réfrigérant R290.
- Le gaz R290 est un gaz réfrigérant conforme aux directives européennes sur l'environnement. Ne percer aucun élément du circuit de réfrigération.
- Si l'appareil est installé, utilisé ou entreposé dans un endroit non ventilé, le local doit être conçu de façon à prévenir l'accumulation de fuites de réfrigérant qui pourraient entraîner un risque d'incendie ou d'explosion en raison de l'inflammation du réfrigérant par des appareils de chauffage électriques, des poêles ou d'autres sources d'inflammation.
- L'appareil doit être entreposé de manière à éviter toute défaillance mécanique.
- Toute personne actionnant ou travaillant sur le circuit de réfrigération doit disposer de la certification appropriée émise par une organisation accréditée veillant à sa compétence quant à la manipulation de réfrigérants conformément à une évaluation spécifique agréée par des associations du secteur.
- Les réparations doivent être effectuées sur la base des recommandations du fabricant. L'entretien et les réparations nécessitant l'assistance d'un autre personnel qualifié doivent être effectués sous la supervision de la personne compétente pour l'utilisation des réfrigérants inflammables.

#### Batteries

- Ne pas exposer la pile à des températures élevées ou en plein soleil. Ne jamais jeter des piles au feu. Il y a un risque d'explosion !
- Tenir les piles hors de portée des enfants. Les piles ne sont pas des jouets !
- Ne pas ouvrir les piles par la force.



- Éviter tout contact avec des objets métalliques (bagues, clous, vis, etc.), il y a un risque de court-circuit !
- En cas de court-circuit, les piles peuvent s'échauffer considérablement, voire s'enflammer. Cela peut occasionner des brûlures.
- Pour votre sécurité, les pôles des piles doivent être recouverts de bandes adhésives pendant le transport.
- Ne pas toucher une pile qui présente une rupture et/ou une fuite. Si le liquide de la pile entre en contact avec vos yeux, rincez-les dès que possible à l'eau claire, sans vous frotter les yeux. Rendez-vous immédiatement à l'hôpital. Si la blessure n'est pas traitée correctement, elle peut entraîner des problèmes oculaires.
- Ne pas ingérer la pile. Toute ingestion de pile entraîne un risque de brûlure chimique.
- Ce produit contient une pile bouton. L'ingestion de la pile bouton peut provoquer de graves brûlures internes en 2 heures à peine et entraîner la mort.
- Si le compartiment à pile ne ferme pas correctement, cessez d'utiliser le produit et gardez-le hors de portée des enfants.

- Si vous pensez que des piles ont pu être avalées ou introduites dans une quelconque partie du corps, consultez immédiatement un médecin.
- Les piles contiennent des matières nocives pour l'environnement ; elles doivent être retirées de l'appareil avant sa mise au rebut de manière à être éliminées en toute sécurité.

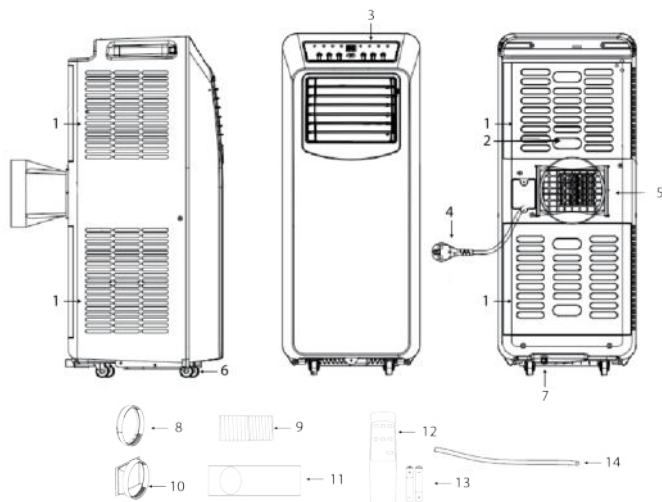
#### Réfrigérant

(CE) N 842/2006 : Cet appareil contient du réfrigérant R290. Ce réfrigérant pèse moins de 1 kg et se trouve dans un circuit de refroidissement fermé. Le liquide de refroidissement n'a aucun potentiel d'appauvrissement de la couche d'ozone, mais il s'agit d'un gaz à effet de serre au sens du protocole de Kyoto et peut donc contribuer au réchauffement planétaire, s'il est rejeté dans l'atmosphère. C'est pourquoi seuls des techniciens qualifiés disposant d'un certificat de réfrigérant peuvent effectuer un remplissage ou une vidange. Votre appareil n'a pas besoin d'être rempli de réfrigérant s'il est utilisé correctement et si son circuit de refroidissement n'est pas endommagé. PRP : R290 : 3

#### DESCRIPTION DES PIÈCES

|                        |  |
|------------------------|--|
| 1. Entrée d'air        | 8. Connecteur de tuyau (côté fenêtre)              |
| 2. Filtre à air        | 9. Tuyau d'évacuation d'air chaud                  |
| 3. Panneau de commande | 10. Connecteur de tuyau (extrémité du climatiseur) |

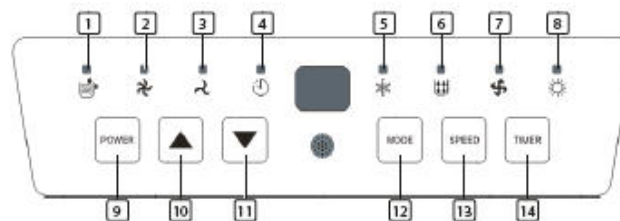
|                          |  |
|--------------------------|--|
| 4. Cordon d'alimentation | 11. Kit coulissant pour fenêtres + chevilles de fixation |
| 5. Sortie d'air          | 12. Télécommande   |
| 6. Roulette              | 13. Piles  |
| 7. Trou d'évacuation     | 14. Tuyau de vidange                                     |



## FONCTION DU PANNEAU DE COMMANDE

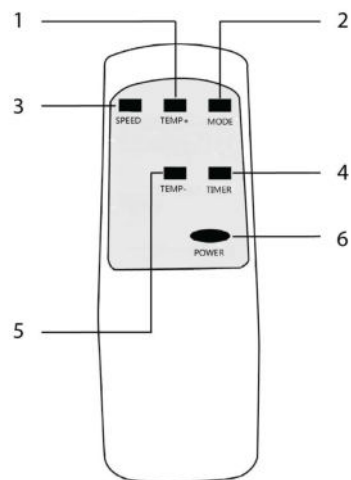
|  |                                  |
|--|----------------------------------|
| 1. Indicateur de réservoir d'eau plein | 8. Indicateur de chauffage plein |
|--|----------------------------------|

|                                     |   |
|-------------------------------------|---|
| 2. Indicateur de ventilation élevée | 9. Bouton Marche/Arrêt                          |
| 3. Indicateur de ventilation faible | 10. Bouton d'augmentation de la température     |
| 4. Indicateur de minuterie          | 11. Bouton de diminution de la température      |
| 5. Indicateur de refroidissement    | 12. Bouton de mode                              |
| 6. Indicateur de déshumidificateur  | 13. Bouton de réglage de vitesse du ventilateur |
| 7. Indicateur de ventilateur        | 14. Bouton Marche/Arrêt du minuteur             |



## TÉLÉCOMMANDE

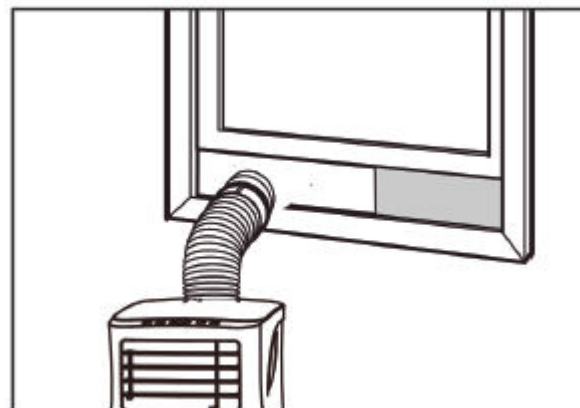
1. Bouton d'augmentation de la température
2. Bouton de mode
3. Bouton de réglage de vitesse du ventilateur
4. Bouton marche/arrêt du minuteur
5. Bouton de diminution de la température
6. Bouton marche/arrêt



## AVANT LA PREMIÈRE UTILISATION

### Avant de commencer les opérations dans cette section :

- Trouvez un endroit près d'une source d'alimentation électrique.
- Posez le tuyau d'évacuation et réglez bien la position de la fenêtre.
- Les petits clips blancs fournis doivent être montés sur le kit fenêtre.



- Insérez le cordon d'alimentation dans une prise de courant AC220~240V/50Hz mise à la terre.
- Appuyez sur le bouton Marche/Arrêt pour allumer le climatiseur.
- Réglez la plage de températures : 16 °C-31°C.
- Vérifiez si le tuyau d'évacuation a été monté correctement.
- Lors de l'utilisation des fonctions de refroidissement, de chauffage et de déshumidification, prévoir au moins 3 minutes entre la mise hors tension et la mise sous tension.

## UTILISATION

### Refroidissement

- Appuyez sur le bouton mode jusqu'à ce que l'icône « Cool » apparaisse.

- Appuyez sur le bouton ▲ ou ▼ pour sélectionner la température de la pièce souhaitée.
- Attendre environ 5 minutes que le refroidissement démarre.
- Appuyez sur le bouton de vitesse du ventilateur (« fan speed ») pour régler le débit d'air.

#### Déshumidification

- Appuyez sur le bouton « Mode » jusqu'à ce que le témoin de déshumidification clignote.
- La température est sélectionnée automatiquement.
- La vitesse du ventilateur est sélectionnée automatiquement.

#### Chauffage

- Appuyez sur le bouton mode jusqu'à ce que l'icône « mode » apparaisse.
- Appuyez sur le bouton ▲ ou ▼ pour sélectionner la température de la pièce souhaitée.
- Attendre environ 5 minutes que le chauffage démarre.
- Appuyez sur le bouton de vitesse du ventilateur (« fan speed ») pour régler le débit d'air.

#### Minuterie

##### Réglage de minuterie activée

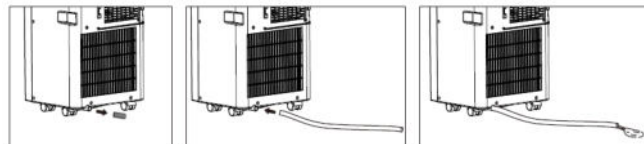
- Lorsque le climatiseur est éteint, appuyez sur la touche de minuterie (« Timer »), sélectionnez l'heure de mise en marche (ON) désirée et réglez-la à l'aide des boutons de température.
- L'heure de mise en marche peut être réglée à n'importe quel moment entre 0 et 24 heures.

##### Réglage de minuterie désactivée

- Lorsque le climatiseur est allumé, appuyez sur la touche de minuterie (« Timer »), sélectionnez l'heure de désactivation (OFF) désirée et réglez-la à l'aide des boutons de température.
- L'heure de désactivation peut être réglée à n'importe quel moment entre 0 et 24 heures.

#### Drainage

- Après une utilisation prolongée et avant le stockage, vous devez vidanger l'eau recueillie. Préparez un emplacement ou un plateau approprié pour recueillir l'eau et retirez le bouchon en caoutchouc du trou de drainage situé au fond de l'appareil. Le drainage se mettra alors en route. Une fois cette opération terminée, vous pouvez insérer le bouchon de vidange.
- Vous pouvez raccorder un tuyau de drainage qui permettra l'évacuation continue de l'eau. Retirez la butée en caoutchouc et raccorder un tuyau approprié. Ce tuyau doit être dirigé vers l'extérieur ou vers un drain approprié. Gardez à l'esprit que l'eau s'écoule vers le bas et jamais vers le haut.

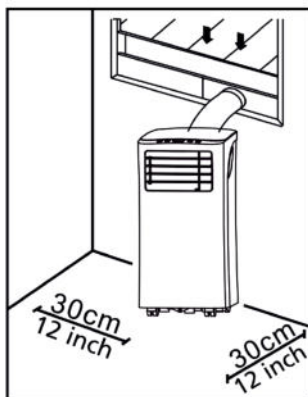


#### Fonction d'alarme de niveau d'eau maximum dans le réservoir interne

- Le réservoir d'eau interne du climatiseur est muni d'un interrupteur de sécurité qui contrôle le niveau d'eau. Lorsque le niveau d'eau atteint la hauteur prévue, le témoin de niveau d'eau plein s'allume. Suivez les étapes ci-dessus pour vidanger l'eau.

## INSTALLATION

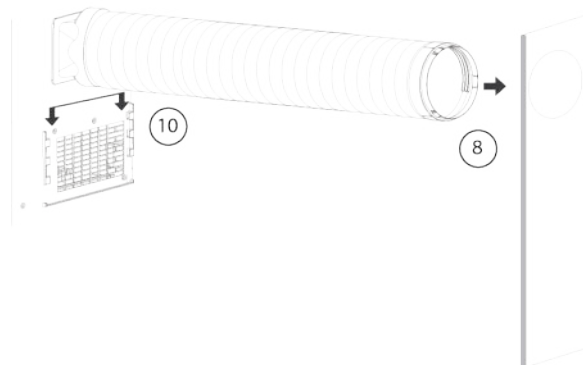
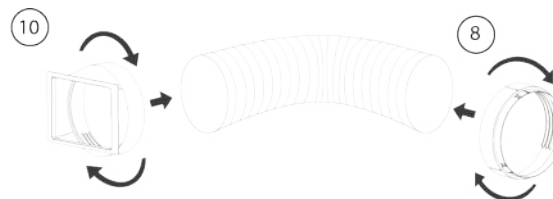
- Le climatiseur doit être installé sur une surface plane et stable. N'obstruez pas la sortie d'air et laissez un espace d'au moins 30 cm autour de l'appareil.



- Le câblage des prises doit être conforme aux exigences locales en matière de sécurité électrique.

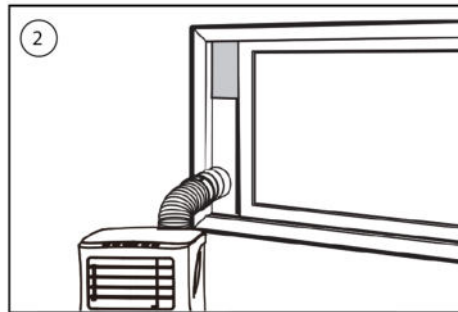
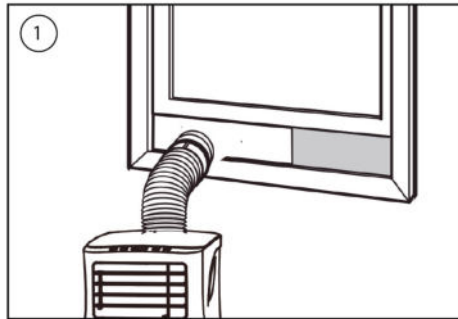
### Installation du tuyau d'évacuation

- Visser les deux extrémités du tuyau d'évacuation de l'air chaud (9) dans le raccord de tuyau de la fenêtre (8) et dans le raccord de tuyau du climatiseur (10).
- Insérez l'extrémité climatisée du raccord de tuyau (10) dans les ouvertures situées à l'arrière du climatiseur.
- Fixer l'extrémité de la fenêtre du raccord de tuyau (8) sur le rebord de fenêtre le plus proche.



### Installation du kit coulissant de fenêtre

- Ajustez la largeur (image 1) ou la hauteur (image 2) de la glissière de fenêtre(11) en fonction de l'ouverture de la fenêtre et fixez la position de la glissière de fenêtre(11) à l'aide des chevilles de fixation.
- Faites glisser la fenêtre jusqu'au curseur.



## NETTOYAGE ET ENTRETIEN

- Avant le nettoyage, débranchez l'appareil de toute prise électrique.
- Nettoyez d'abord la surface avec un détergent neutre et un chiffon humide, puis essuyez-la avec un chiffon sec.
- N'utilisez pas d'essence ou d'autres produits chimiques pour nettoyer l'appareil.
- Ne lavez pas l'appareil directement.

### Filtre à air

- Le filtre à air doit être nettoyé toutes les deux semaines.
- Ouvrez la grille d'entrée d'air et enlevez le filtre à air.
- Nettoyez le filtre à air avec un détergent neutre dans de l'eau tiède à 40 °C et laissez-le sécher (à l'abri des rayons directs du soleil).
- Réinstallez le filtre à air dans la grille d'entrée d'air.

## DÉPANNAGE

| Résolution des pannes   | Causes possibles   | Solutions suggérées  |
|---|--|--|
| L'unité ne démarre pas lorsqu'on appuie sur le bouton marche/arrêt. | <ul style="list-style-type: none"> <li>Le témoin de réservoir d'eau plein clignote, et le réservoir d'eau est plein.</li> <li>La température ambiante est supérieure à la température de réglage. (Mode chauffage électrique)</li> <li>La température ambiante est inférieure à la température de réglage. (Mode climatisation)</li> </ul> | <ul style="list-style-type: none"> <li>Vidangez le réservoir d'eau.</li> <li>Réglez la température.</li> </ul> |

|  |   |  |
|--|---|--|
| L'unité ne refroidit pas suffisamment.           | <ul style="list-style-type: none"> <li>Les portes ou fenêtres ne sont pas fermées.</li> <li>Il y a des sources de chaleur à l'intérieur de la pièce.</li> <li>Le tuyau d'évacuation d'air chaud n'est pas branché ou bloqué.</li> <li>La température réglée est trop élevée..</li> <li>L'entrée d'air est bloquée.</li> </ul> | <ul style="list-style-type: none"> <li>Assurez-vous que toutes les fenêtres et portes sont fermées.</li> <li>Supprimez les sources de chaleur si possible.</li> <li>Raccordez ou nettoyez le tuyau d'évacuation d'air chaud.</li> <li>Réinitialisez la température.</li> <li>Nettoyez l'entrée d'air.</li> </ul> |
| Mise hors tension automatique en mode chauffage. | <ul style="list-style-type: none"> <li>Protection de chauffage, lorsque la température à la sortie d'air dépasse 70 degrés, l'appareil s'éteint automatiquement.</li> </ul>   | <ul style="list-style-type: none"> <li>Laissez la température de la pièce s'abaisser avant de redémarrer l'unité.</li> </ul>   |

FR

|                   |  |  |
|-------------------|--|--|
| Appareil bruyant. | <ul style="list-style-type: none"> <li>Le sol n'est pas horizontal ou pas assez plat.</li> <li>Le son provient de l'écoulement du réfrigérant à l'intérieur du climatiseur.</li> </ul> | <ul style="list-style-type: none"> <li>Placez l'appareil sur un sol horizontal et plat si possible.</li> </ul> |
| Code E0.          | <ul style="list-style-type: none"> <li>La sonde de température ambiante est défectueuse.</li> </ul>  | <ul style="list-style-type: none"> <li>Remplacez la sonde de température ambiante.</li> </ul>                  |
| Code E2/E4.       | <ul style="list-style-type: none"> <li>Réservoir d'eau plein</li> </ul>  | <ul style="list-style-type: none"> <li>Vidangez le réservoir d'eau.</li> </ul>                                 |

### TABLEAU AC-5560

|  |                |               |              |
|--|----------------|---------------|--------------|
| Exigences en matière d'information pour les climatiseurs à simple et double conduit                |                |               | P            |
| Informations permettant d'identifier le(s) modèle(s) au(x)quel(s) les informations se rapportent : |                |               |              |
| <b>Description</b>   | <b>Symbole</b> | <b>Valeur</b> | <b>Unité</b> |

|  |  |               |              |
|--|--|---------------|--------------|
| Capacité nominale de refroidissement   | Performance nominale                               | 2,9           | kW           |
| Capacité nominale de chauffage   | Performance nominale                               | 2,7           | kW           |
| Puissance absorbée nominale pour le refroidissement  | Pair   | 1,115         | kW           |
| Puissance nominale absorbée pour le chauffage  | Pcop   | 1,173         | kW           |
| Consommation d'énergie en mode arrêt du thermostat   | DTIO (Dispositif de Terminaison Intérieur Optique) | Aucun         | W            |
| Consommation électrique en mode veille   | Polystyrène  | 0,5           | W            |
| Consommation électrique en mode OFF  | PPP  | Aucun         | W            |
| Consommation d'énergie en mode chauffage du carter   | Protection d'écran                                 | Aucun         | W            |
| Informations permettant d'identifier le(s) modèle(s) au(x)quel(s) les informations se rapportent : |  |               |              |
| <b>Description</b>   | <b>Symbole</b>                                     | <b>Valeur</b> | <b>Unité</b> |



|   |                                     |   |       |
|---|-------------------------------------|---|-------|
| Rendement énergétique nominal   | EERrated                            | 2,60  |       |
| Coefficient de performance  | Coefficient de performance nominale | 2,3   |       |
| Consommation d'électricité des appareils à simple/double conduit (indiquer séparément le refroidissement et le chauffage) | Qsd                                 | SD : 1,15 (Refroidissement)<br>SD : 1 173 (Chauffage) | kWh/h |
| Consommation d'électricité d'un appareil à double conduit   | Qdd                                 | Aucun   | kWh/h |
| Niveau de puissance sonore  | Lwa                                 | 65  | dB(A) |

## LE PRODUIT OU L'ÉQUIPEMENT CONTIENT DES GAZ À EFFET DE SERRE FLUORÉS.

|  |         |
|--|---------|
| Art. N°.                                   | AC-5560 |
| Coolant :                                  | R290    |
| Quantité en kg :                           | 0,215   |
| Potentiel de réchauffement de la planète : | 3       |
| Équivalent CO2 en tonnes :                 | 0,0007  |

## ENVIRONNEMENT



Cet appareil ne doit pas être jeté avec les ordures ménagères en fin de vie, mais remis à un endroit centralisé de recyclage des appareils électriques et électroniques. Le symbole sur l'appareil, le mode d'emploi et l'emballage, attire votre attention sur ce point important. Les matériaux utilisés dans cet appareil peuvent être recyclés. En recyclant les appareils domestiques, vous contribuez de façon importante à la protection de notre environnement. Consultez les autorités locales pour obtenir des informations concernant le point de collecte.

La Directive européenne relative aux piles (2006/66/CE) stipule qu'il est interdit de jeter les piles avec les ordures ménagères. Elles peuvent contenir des substances nocives pour l'environnement. Les piles vides peuvent être remises à un point de collecte public local ou à un centre de recyclage local. Pour éviter une surchauffe due à un court-circuit, les piles au lithium doivent être retirées du produit et les pôles doivent être protégés contre les courts-circuits par un ruban isolant ou tout autre moyen.

Vous trouverez toutes les informations disponibles et les pièces de rechange sur [www.tristar.eu](http://www.tristar.eu) !

FR

## **SICHERHEIT**

- Lesen Sie diese Bedienungsanleitung bitte aufmerksam, um die ordnungsgemäße Benutzung, Instandhaltung und Installation sicherzustellen.
- Beim Ignorieren der Sicherheitshinweise kann der Hersteller nicht für Schäden haftbar gemacht werden.
- Das Gerät ist nur für die Benutzung im Innenbereich vorgesehen.
- Benutzen Sie das Gerät nicht an einer Steckdose, die beschädigt oder nicht korrekt installiert ist.
- Benutzen Sie das Gerät nicht:
  - in der Nähe einer Feuerstelle
  - in Bereichen, in denen Öl verspritzt werden könnte
  - in Bereichen, die direkter Sonneneinstrahlung ausgesetzt sind
  - in Bereichen, in denen Wasser verspritzt werden könnte
  - in der Nähe einer Badewanne, Dusche oder eines Swimmingpools
- Stecken Sie keinesfalls Ihre Finger oder Gegenstände in die Luftauslassöffnung. Weisen Sie insbesondere Kinder auf solche Gefahren hin.
- Transportieren und lagern Sie das Gerät aufrecht.
- Schalten Sie stets die Spannungsversorgung aus oder trennen Sie das Netzteil ab, bevor Sie das Gerät reinigen.
- Schalten Sie das Gerät stets aus und trennen Sie es von der Spannungsversorgung ab, bevor Sie es bewegen.



- **WARNUNG:** Decken Sie das Gerät nicht ab, weil andernfalls Brandgefahr besteht.
- Alle Steckdosen müssen den jeweils geltenden elektrischen Sicherheitsanforderungen entsprechen. Überprüfen Sie dies gegebenenfalls.

- Ist das Netzkabel beschädigt, muss es vom Hersteller, dem Kundendienst oder ähnlich qualifizierten Personen ersetzt werden, um Gefahren zu vermeiden.
- Sollte das Netzkabel beschädigt sein, muss es vom Hersteller, seinem Kundendienst oder einer qualifizierten Person ersetzt werden, um jedes Risiko auszuschließen.
- Dieses Gerät darf von Kindern ab 8 Jahren und von Personen mit eingeschränkten körperlichen, sensorischen oder geistigen Fähigkeiten oder einem Mangel an Erfahrung und Kenntnissen verwendet werden, sofern diese Personen beaufsichtigt oder über den sicheren Gebrauch des Geräts unterrichtet wurden und die damit verbundenen Gefahren verstanden haben. Kinder dürfen mit dem Gerät nicht spielen. Reinigungs- und Wartungsarbeiten dürfen nicht von unbeaufsichtigten Kindern ausgeführt werden.
- Dieses Gerät darf nur für den Haushaltsgebrauch und nur für den Zweck benutzt werden, für den es hergestellt wurde.
- Hinweise:

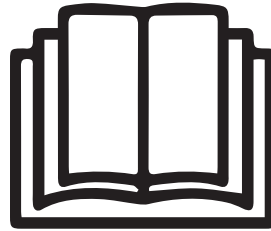
DE

- Bei Schäden trennen das Netzkabel ab und wenden sich an den Händler oder einen autorisierten Reparaturbetrieb.
- In jedem Fall muss das Netzkabel ordnungsgemäß geerdet sein.
- Um bei einem beschädigten Netzkabel eine mögliche Gefahr zu vermeiden, unterbrechen Sie bitte die Spannungsversorgung. Das Kabel muss vom Händler oder einem autorisierten Reparaturbetrieb ausgetauscht werden.

**Warnung**

- Verwenden Sie ausschließlich das vom Hersteller empfohlene Enteisungs- und Reinigungsverfahren. Das Enteisungs- und Reinigungsverfahren darf in keiner Weise beschleunigt werden.
- Das Gerät ist in einem Raum ohne kontinuierlich arbeitende Zündquellen zu lagern (z. B. offene Flammen, ein aktives Gasgerät oder eine aktive Elektroheizung).
- Nicht durchbohren oder verbrennen.
- Beachten Sie, dass Kältemittel geruchlos sein können.
- Das Gerät muss in einem Raum mit einer Grundfläche von mehr als X m<sup>2</sup> installiert, betrieben und gelagert werden. (X=4 bei 5000Btu/h, 7000Btu/h, 8000Btu/h; X=7,7 bei 9000Btu/h, 10000Btu/h, 10500Btu/h)
- Wenden Sie sich zwecks Reparatur oder Instandhaltung dieses Geräts ausschließlich an einen autorisierten Servicetechniker.
- Das Netzkabel darf weder gezogen, verformt oder verändert noch in Wasser getaucht werden. Ziehen am Netzkabel oder dessen unsachgemäße Benutzung kann zu Schäden am Gerät und zu einem Stromschlag führen.
- Die jeweils geltenden Gasverordnungen sind einzuhalten.
- Achten Sie darauf, dass die Lüftungsöffnungen stets frei durchlässig sind.
- Personen, die Arbeiten an einem Kühlkreislauf durchführen oder einen Kühlkreislauf öffnen, müssen eine gültige Bescheinigung von einer anerkannten Prüfstelle haben, die ihre Eignung bestätigt, Kältemittel sicher und im Einklang mit einer anerkannten Beurteilungsspezifikation zu handhaben.

- Die Wartung darf nur entsprechend der Empfehlung des Geräteherstellers durchgeführt werden. Wartungs- und Reparaturarbeiten, die eine Unterstützung durch weiteres Fachpersonal erfordern, sind unter der Aufsicht einer Person durchzuführen, die im Umgang mit entflammaren Kältemitteln sachkundig ist.
- Solange das Gerät keine merkwürdigen Geräusche, Gerüche oder Rauch abgibt, darf es keinesfalls in oder außer Betrieb genommen werden, indem der Netzstecker angeschlossen oder abgetrennt wird, weil dies zu einem Stromschlag oder durch Hitzeerzeugung verursachten Brand führen kann.



Spezielle Informationen für Geräte mit dem Kältemittelgas R 290.

- Lesen Sie aufmerksam alle Warnhinweise.

- Verwenden Sie außer den vom Hersteller empfohlenen keine Werkzeuge, um das Gerät zu enteisen und zu reinigen.
- Das Gerät ist in einem Raum ohne kontinuierlich arbeitende Zündquellen zu lagern (z. B. offene Flammen, ein aktives Gasgerät oder eine aktive Elektroheizung).
- Nicht durchbohren oder verbrennen.
- Das Gerät muss in einem Raum mit einer Grundfläche von mehr als X m<sup>2</sup> installiert, betrieben und gelagert werden. (X=4 bei 5000Btu/h, 7000Btu/h, 8000Btu/h; X=7,7 bei 9000Btu/h, 10000Btu/h, 10500Btu/h)
- Dieses Gerät enthält Y g (siehe Typenschild auf der Geräterückseite) an R290 Kältemittelgas.
- R290 ist ein Kältemittelgas, das die EU-Umweltschutzrichtlinien erfüllt. Beschädigen Sie keinesfalls den Kältemittelkreis.
- Falls das Gerät in einem nicht belüfteten Bereich installiert, betrieben oder gelagert wird, muss der Raum so konzipiert sein, dass sich austretendes Kältemittel nicht ansammeln kann und eine Brand- oder Explosionsgefahr darstellt, weil es durch Elektroheizungen, Elektroöfen oder andere Zündquellen entzündet werden könnte.

- Das Gerät muss so gelagert werden, dass mechanische Defekte vermieden werden.
  - Personen, die am Kühlkreislauf arbeiten oder ihn bedienen, benötigen die entsprechende, von einer zugelassenen Stelle ausgestellte Zertifizierung, die den fachgerechten Umgang mit Kältemitteln gemäß einer von Branchenverbänden anerkannten speziellen Bewertung sicherstellt.
  - Reparaturen sind basierend auf den Empfehlungen der Herstellerfirma durchzuführen. Wartungs- und Reparaturarbeiten, bei der Unterstützung durch weiteres Fachpersonal bedürfen, sind unter der Aufsicht einer im Umgang mit entflammaren Kältemitteln fachkundigen Person durchzuführen.
- Batterien**
- Setzen Sie die Batterie nicht hohen Temperaturen oder direktem Sonnenlicht aus. Werfen Sie Batterien niemals ins Feuer. Es besteht die Gefahr einer Explosion!
  - Halten Sie Batterien von Kindern fern. Batterien sind kein Spielzeug!
  - Öffnen Sie die Batterien nicht gewaltsam.
  - Vermeiden Sie den Kontakt mit metallischen Gegenständen (Ringe, Nägel, Schrauben etc.). Es besteht die Gefahr eines Kurzschlusses!
  - Infolge eines Kurzschlusses können sich die Batterien stark erhitzen oder sogar in Brand geraten. Dies kann zu Verbrennungen führen.
  - Zu Ihrer Sicherheit sollten die Batteriepole während des Transports mit Klebestreifen abgedeckt werden.
  - Berühren Sie keinen geplatzten und/oder auslaufenden Batterien. Sollte die Flüssigkeit aus der Batterie in Ihre Augen gelangen, spülen Sie Ihre Augen so schnell wie möglich mit klarem Wasser aus, ohne sie zu reiben. Begeben Sie sich sofort ins Krankenhaus. Wenn die Situation nicht richtig behandelt wird, kann sie zu Augenproblemen führen.
  - Die Batterie nicht verschlucken, Verätzungsgefahr;
  - Dieses Produkt enthält eine Knopfzellenbatterie. Beim Verschlucken der Knopfzellenbatterie kann es in nur 2 Stunden zu schweren inneren Verbrennungen kommen, die zum Tod führen können.

- Wenn sich das Batteriefach nicht sicher schließen lässt, verwenden Sie das Produkt nicht mehr und halten Sie es von Kindern fern.
- Suchen Sie sofort einen Arzt auf, wenn Sie glauben, dass Batterien verschluckt worden oder in irgendeinen Körperteil gelangt sein könnten.
- Die Batterien enthalten umweltschädliche Stoffe; sie müssen vor der Entsorgung aus dem Gerät entfernt und sicher entsorgt werden

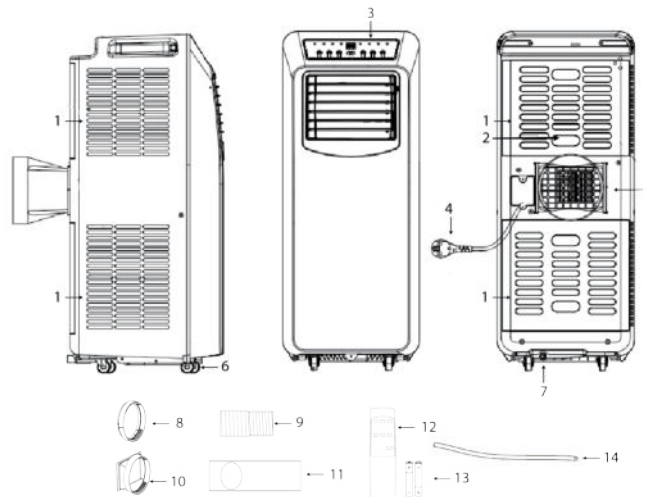
**Kältemittel**

(CE) N 842/2006: Dieses Gerät enthält das Kältemittel R290. Das Kältemittel hat ein Volumen von weniger als 1 kg und befindet sich in einem geschlossenen Kühlkreislauf. Das Kältemittel hat zwar kein Ozonerstörungspotenzial, gehört aber gemäß Kyoto-Protokoll zu den so genannten Treibhausgasen und kann daher zur globalen Erwärmung beitragen, wenn es an die Atmosphäre freigegeben wird. Daher dürfen nur geschulte Techniker mit einer entsprechenden Bescheinigung das Kältemittel auffüllen oder entleeren. Bei ordnungsgemäßer Benutzung und intaktem Kühlmittelkreislauf braucht das Gerät nicht nachgefüllt zu werden. GWP: R290: 3

**TEILEBESCHREIBUNG**

|                |                                    |
|----------------|------------------------------------|
| 1. Lufteinlass | 8. Schlauchanschluss (Fensterende) |
| 2. Luftfilter  | 9. Heißluft-Auslassschlauch        |

|                |  |
|----------------|--|
| 3. Bedienfeld  | 10. Schlauchanschluss (Klimaanlagenende)             |
| 4. Netzkabel   | 11. Bausatz für Fensterschieber + Befestigungsbolzen |
| 5. Luftauslass | 12. Fernbedienung                                    |
| 6. Rolle       | 13. Batterien  |
| 7. Abflussloch | 14. Abflussschlauch                                  |

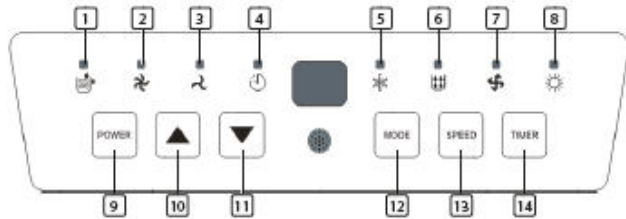


**FUNKTIONEN AM BEDIENFELD**

|                        |                 |
|------------------------|-----------------|
| 1. Wasserstandsanzeige | 8. Wärmeanzeige |
|------------------------|-----------------|

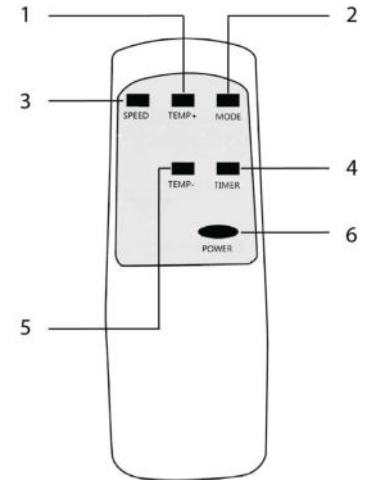
DE

|                            |                                 |
|----------------------------|---------------------------------|
| 2. Hohe Lüfterdrehzahl     | 9. Taste Ein/Aus                |
| 3. Niedrige Lüfterdrehzahl | 10. Taste Temperatur +          |
| 4. Timer-Anzeige           | 11. Taste Temperatur -          |
| 5. Kälteanzeige            | 12. Taste Modus                 |
| 6. Entfeuchter-Anzeige     | 13. Taste Lüftergeschwindigkeit |
| 7. Lüfteranzeige           | 14. Taste Timer Ein/Aus         |



### FERNBEDIENUNG

1. Taste Temperatur erhöhen
2. Taste Modus
3. Taste Lüftergeschwindigkeit
4. Taste Timer (Ein/Aus)
5. Taste Temperatur verringern
6. Taste Power (Ein/Aus)

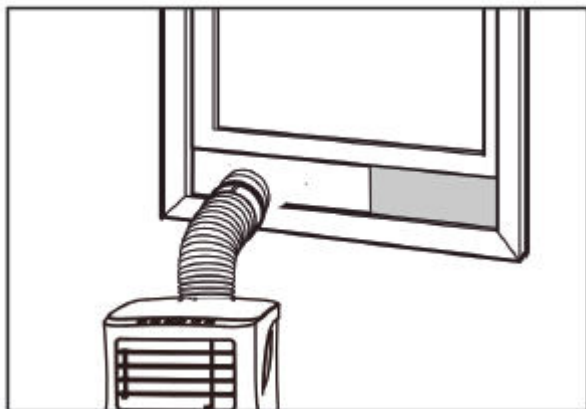


### VOR DEM ERSTEN GEBRAUCH

**Beachten Sie vor der Inbetriebnahme bitte Folgendes:**

- Suchen Sie einen Aufstellungsort mit einer gut erreichbaren Steckdose.
- Montieren Sie den Auslassschlauch und wählen Sie eine geeignete Fensterposition.
- Die mitgelieferten kleinen weißen Clips müssen am Festersatz angebracht werden.





- Schließen Sie das Netzkabel an einer geerdeten Steckdose mit 220-240 V/50 Hz Wechselstrom an
- Drücken Sie die Ein/Aus-Taste, um das Gerät einzuschalten.
- Stellen Sie den Temperaturbereich ein. 16 °C - 31 °C.
- Kontrollieren Sie, ob der Auslassschlauch korrekt montiert ist.
- Warten Sie nach dem Aus- und Einschalten mindestens 3 Minuten, bevor Sie Kühl-, Heiz- und Entfeuchtungsfunktionen benutzen.

## BENUTZUNG

### Kühlbetrieb

- Drücken Sie Taste „Mode“, bis das Symbol „Kalt“ erscheint.
- Drücken Sie die Taste ▲ oder ▼, um die gewünschte Raumtemperatur zu wählen.

- Warten Sie etwa 5 Minuten, bevor Sie den Kühlvorgang starten.
- Drücken Sie die Taste „Lüftergeschwindigkeit“, um den Luftstrom einzustellen.

### Entfeuchtungsbetrieb

- Drücken Sie die Taste „Mode“, bis die Entfeuchtungs-Kontrolllampe blinkt.
- Die Temperatur wird automatisch gewählt.
- Die Lüftergeschwindigkeit wird automatisch gewählt.

### Heizbetrieb

- Drücken Sie Taste „Mode“, bis das Symbol „Warm“ erscheint.
- Drücken Sie die Taste ▲ oder ▼, um die gewünschte Raumtemperatur zu wählen.
- Warten Sie etwa 5 Minuten, bevor Sie den Heizvorgang starten.
- Drücken Sie die Taste „Lüftergeschwindigkeit“, um den Luftstrom einzustellen.

### Timer-Betrieb

#### Einstellung Timer EIN

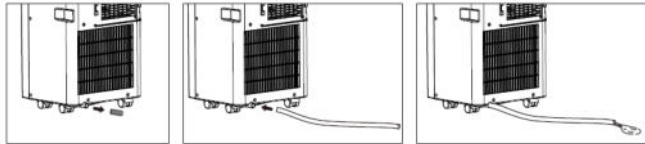
- Wenn das Klimagerät ausgeschaltet ist, drücken Sie die Taste „Timer“ und stellen dann mit Hilfe der Temperaturtasten die gewünschte Einschaltzeit ein.
- Die Einschaltzeit kann eine beliebige Uhrzeit im Zeitraum 0-24 Stunden sein.

#### Einstellung Timer AUS

- Wenn das Klimagerät eingeschaltet ist, drücken Sie die Taste „Timer“ und stellen dann mit Hilfe der Temperaturtasten die gewünschte Ausschaltzeit ein.
- Die Ausschaltzeit kann eine beliebige Uhrzeit im Zeitraum 0-24 Stunden sein.

### Entwässerung

- Nach einem längerem Betrieb und vor der Lagerung müssen Sie das angesammelte Wasser ablaufen lassen. Stellen Sie das Gerät dazu an einem geeigneten Ort auf oder eine Schale bereit, um das Wasser aufzufangen. Entfernen Sie dann den Gummistopfen vom Abflussloch unten am Gerät. Das Wasser läuft nun ab. Anschließend können Sie den Ablaufstopfen wieder einsetzen.
- Sie können einen Abflussschlauch anschließen, damit das Wasser kontinuierlich abfließen kann. Entfernen Sie den Gummistopfen und schließen Sie einen geeigneten Schlauch an. Dieser Schlauch muss ins Freie oder in einen geeigneten Abfluss geleitet werden. Bitte beachten Sie, dass Wasser nach unten und nicht nach oben fließt.

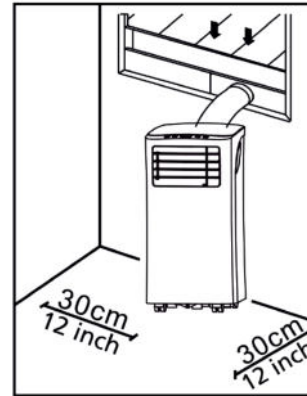


### Alarmfunktion „Interner Wassertank voll“

- Der Wassertank im Klimagerät hat einen Wasserstand-Sicherheitsschalter, der den Wasserpegel kontrolliert. Wenn der Wasserpegel eine bestimmte Höhe erreicht, leuchtet die Kontrolllampe „Wassertank voll“ auf. Befolgen Sie die Schritte oben, um das Wasser ablaufen zu lassen.

## INSTALLATION

- Das Klimagerät sollte auf einer ebenen und stabilen Fläche aufgestellt werden. Blockieren Sie den Luftauslass nicht und halten Sie den Bereich im Abstand von mindestens 30 cm um das Gerät herum frei.

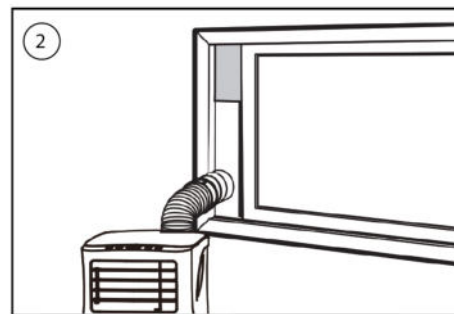
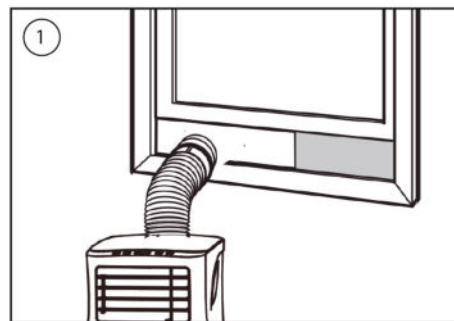
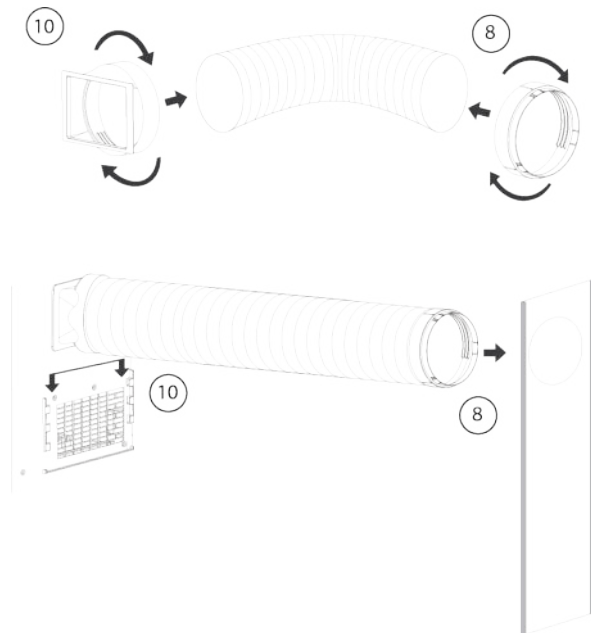


- Die Verdrahtung der Steckdose muss den örtlichen Sicherheitsvorschriften entsprechen.

### Installation des Auslassschlauchs

- Drehen Sie die beiden Enden des Heißluft-Auslassschlauchs (9) in das Fensterende des Schlauchanschlusses (8) und das Klimaanlagenende des Schlauchanschlusses (10) ein.
- Stecken Sie das Klimaanlagenende des Schlauchanschlusses (10) in die Öffnungen auf der Rückseite der Klimaanlage.

- Befestigen Sie das Fensterende des Schlauchanschlusses (8) an der nächstgelegenen Fensterbank.



#### Einbau eines Fensterschieber-Kits

- Passen Sie die Breite (Bild 1) oder die Höhe (Bild 2) des Fensterschiebers (11) an die Fensteröffnung an und fixieren Sie die Position des Fensterschiebers (11) mit den Befestigungsbolzen.
- Schieben Sie das Fenster bis zum Schieber.

DE

## REINIGUNG UND INSTANDHALTUNG

- Achten Sie vor dem Reinigen darauf, das Gerät von der Spannungsversorgung abzutrennen.
- Reinigen Sie zunächst die Oberfläche mit einem neutralen Reinigungsmittel und einem feuchten Tuch und wischen Sie sie dann mit einem trockenen Tuch ab.
- Verwenden Sie kein Benzin oder andere Chemikalien, um das Gerät zu reinigen.
- Reinigen Sie das Gerät nicht direkt mit Wasser.

### Luftfilter

- Der Luftfilter sollte alle zwei Wochen gereinigt werden.
- Öffnen Sie das Lufteinlassgitter und nehmen Sie den Luftfilter heraus.
- Reinigen Sie den Luftfilter in lauwarmem Wasser (40 °C) mit einem Neutralreiniger und lassen Sie ihn dann trocknen (nicht bei direkter Sonnenbestrahlung).
- Setzen Sie den Luftfilter wieder in das Einlassgitter ein.

## STÖRUNGSBESEITIGUNG

| Störungen | Mögliche Ursachen | Empfohlene Maßnahmen |
|-----------|-------------------|----------------------|
|-----------|-------------------|----------------------|

|  |  |   |
|--|--|---|
| Das Gerät startet nicht, wenn die Ein/Aus-Taste betätigt wird. | <ul style="list-style-type: none"> <li>• Die Anzeige „Wasserbehälter voll“ blinkt und der Wasserbehälter ist voll.</li> <li>• Die Raumtemperatur ist höher als die eingestellte Temperatur (Elektroheizungsbetrieb).</li> <li>• Die Raumtemperatur ist niedriger als die eingestellte Temperatur (Kühlbetrieb).</li> </ul>   | <ul style="list-style-type: none"> <li>• Lassen Sie das Wasser aus dem Wassertank ablaufen.</li> <li>• Stellen Sie die Temperatur ein.</li> </ul>   |
| Das Gerät kühlt nicht ausreicnd.                               | <ul style="list-style-type: none"> <li>• Türen oder Fenster sind nicht geschlossen.</li> <li>• Es befinden sich Wärmequellen im Raum.</li> <li>• Der Heißluft-Auslassschlauch ist nicht angeschlossen oder verstopft.</li> <li>• Die Temperatureinstellung ist zu hoch.</li> <li>• Der Lufteinlass ist verstopft.</li> </ul> | <ul style="list-style-type: none"> <li>• Achten Sie darauf, dass alle Fenster und Türen geschlossen sind.</li> <li>• Entfernen Sie möglichst alle Wärmequellen.</li> <li>• Schließen Sie den Heißluft-Auslassschlauch an oder reinigen Sie ihn.</li> <li>• Stellen Sie die Temperatur erneut ein.</li> <li>• Reinigen Sie den Lufteinlass.</li> </ul> |

|  |  |  |
|--|--|--|
| Automatische Abschaltung im Heizbetrieb. | <ul style="list-style-type: none"> <li>Überhitzungsschutz: wenn die Temperatur am Luftauslass 70 Grad überschreitet, wird das Gerät automatisch ausgeschaltet.</li> </ul>                                    | <ul style="list-style-type: none"> <li>Lassen Sie das Gerät auf Zimmertemperatur abkühlen, bevor Sie es wieder einschalten.</li> </ul> |
| Geräuschentwicklung.                     | <ul style="list-style-type: none"> <li>Der Boden am Aufstellungsort ist nicht eben oder flach genug.</li> <li>Das Geräusch wird durch den Kältemittelfluss im Inneren des Klimageräts verursacht.</li> </ul> | <ul style="list-style-type: none"> <li>Stellen Sie das Gerät auf einem möglichst eben, flachen Untergrund auf.</li> </ul>              |
| Code E0                                  | <ul style="list-style-type: none"> <li>Raumtemperatursensor defekt</li> </ul>  | <ul style="list-style-type: none"> <li>Ersetzen Sie den Raumtemperatursensor.</li> </ul>   |
| Code E2/E4                               | <ul style="list-style-type: none"> <li>Wassertank voll</li> </ul>  | <ul style="list-style-type: none"> <li>Entleeren Sie den Wassertank.</li> </ul>  |

### TABELLE AC-5560

|   |  |  |   |
|---|--|--|---|
| Informationsanfragen für Ein- und Zweikanal-Klimageräte   |  |  | P |
| Informationen zur Identifizierung des Modells/der Modelle, auf die sich die Informationen beziehen: |  |  |   |

| Beschreibung  | Symbol   | Wert                                      | Einheit |
|---|----------|---|---------|
| Nennleistung für Kühlung  | Prated   | 2,9                                       | kW      |
| Nennleistung für Heizung  | Prated   | 2,7                                       | kW      |
| Nennleistungsaufnahme für die Kühlung   | Peer     | 1,115                                     | kW      |
| Nennleistungsaufnahme für Heizung   | Pcop     | 1,173                                     | kW      |
| Stromverbrauch im Thermostat-Aus-Modus  | Pto      | N/A                                       | W       |
| Stromverbrauch im Stand-by-Modus  | Psb      | 0,5                                       | W       |
| Stromverbrauch im OFF-Modus   | Poff     | N/A                                       | W       |
| Leistungsaufnahme im Gehäuse-Heizmodus  | Pck      | N/A                                       | W       |
| Informationen zur Identifizierung des Modells/der Modelle, auf die sich die Informationen beziehen: |          |   |         |
| Beschreibung  | Symbol   | Wert                                      | Einheit |
| Nennwert Wirkungsgrad   | EERated  | 2,60                                      |         |
| Nennleistungskoeffizient  | COPrated | 2,3                                       |         |
| Stromverbrauch von Einkanal-/Zweikanalgeräten (für Kühlung und Heizung getrennt angeben)            | Qsd      | SD: 1,15 (Kühlung)<br>SD: 1,173 (Heizung) | kWh/h   |
| Stromverbrauch eines Zweikanalgeräts  | Qdd      | N/A                                       | kWh/h   |

DE

|                      |     |    |       |
|----------------------|-----|----|-------|
| Schallleistungspegel | Lwa | 65 | dB(A) |
|----------------------|-----|----|-------|

## DAS GERÄT ENTHÄLT EIN FLUORIERTES TREIBHAUSGAS.

|  |         |
|--|---------|
| Artikelnr.                             | AC-5560 |
| Kühlmittel:                            | R290    |
| Menge in kg:                           | 0,215   |
| Erderwärmungspotenzial:                | 3       |
| CO <sub>2</sub> -Äquivalent in Tonnen: | 0,0007  |

## UMWELT



Dieses Gerät darf am Ende seiner Lebenszeit nicht im Hausmüll entsorgt werden, sondern muss an einer Sammelstelle für das Recyceln von elektrischen und elektronischen Haushaltsgeräten abgegeben werden. Das Symbol auf dem Gerät, in der Bedienungsanleitung und auf der Verpackung macht Sie auf dieses wichtige Thema aufmerksam. Die in diesem Gerät verwendeten Materialien können recycelt werden. Durch das Recyceln gebrauchter

Haushaltsgeräte leisten Sie einen wichtigen Beitrag zum Umweltschutz. Fragen Sie Ihre örtliche Behörde nach Informationen über eine Sammelstelle.

Die europäische Batterie- und Akkumulatorenrichtlinie (2006/66/EG) besagt, dass Batterien/Akkus nicht im Haushaltsmüll entsorgt werden dürfen, weil sie umweltschädliche Substanzen enthalten könnten. Leere Batterien/Akkus können an öffentlichen Sammelstellen oder einer lokalen Aufbereitungsanlage abgegeben werden. Um eine Überhitzung infolge eines Kurzschlusses zu vermeiden, müssen Lithium-Batterien/Akkus müssen aus dem Produkt entfernt und die Pole mittels Isolierband oder anderen Maßnahmen gegen einen Kurzschluss abgesichert werden.

Sämtliche verfügbaren Informationen und Ersatzteile finden Sie unter [www.tristar.eu](http://www.tristar.eu)!

## SEGURIDAD

- Lea detenidamente este manual del usuario y asegúrese de utilizar, mantener e instalar el aparato correctamente.
- Si ignora las instrucciones de seguridad, eximirá al fabricante de toda responsabilidad por posibles daños.
- El aparato es adecuado sólo para uso interior.
- No utilice la unidad en una toma que esté dañada o que no esté correctamente instalada.
- No utilice la unidad:
  - cerca de una fuente de fuego.
  - en un lugar donde pueda salpicar aceite.
  - en un lugar expuesto a la luz solar directa.
  - en un lugar donde pueda salpicar agua.
  - cerca de un baño, una ducha o una piscina.
- No introduzca los dedos u objetos en la salida de aire. Preste especial atención a advertir a los niños de estos peligros.
- Transporte y almacene la unidad en posición vertical.
- Antes de limpiar la unidad, apáguela o desconecte siempre la fuente de alimentación.
- Antes de transportar la unidad, apáguela o desconecte siempre la fuente de alimentación.



- **ADVERTENCIA:** para evitar el riesgo de incendio, no cubra la unidad.

- Todas las tomas de la unidad deben cumplir con los requisitos locales de seguridad eléctrica. Si es necesario, compruébelo.
- Si el cable de alimentación está dañado, corresponde al fabricante, al representante o a una persona de cualificación similar su reemplazo para evitar peligros.
- Si el cable de alimentación está dañado, corresponde al fabricante, al representante o a una persona cualificada su reemplazo para evitar peligros.
- Este aparato lo pueden utilizar niños a partir de los 8 años y personas con capacidades físicas, sensoriales o mentales reducidas, o que no tengan experiencia ni conocimientos, siempre que reciban supervisión e instrucciones correctas en cuanto al uso seguro del aparato y entiendan los riesgos implicados. Los niños no deberían jugar con el aparato. Los niños no podrán realizar la limpieza ni el mantenimiento reservado al usuario sin supervisión.
- Este aparato se debe utilizar únicamente para el uso doméstico y sólo para las funciones para las que se ha diseñado.
- Notas:
  - En caso de daño, desconecte la fuente de alimentación y póngase en contacto con el distribuidor o con un establecimiento designado para llevar a cabo reparaciones.
  - En cualquier caso, la conexión a tierra del cable de alimentación debe ser segura.
  - Para evitar posibles peligros, si el cable de alimentación está dañado, desconecte la fuente de alimentación. Debe sustituirlo el distribuidor o un establecimiento designado para llevar a cabo reparaciones.

**Advertencia**

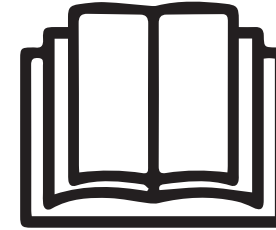
- Siga solo el proceso de descongelación y limpieza recomendado por el fabricante. No agilice el proceso de descongelación o limpieza de ninguna otra forma.
- El aparato debe almacenarse en una habitación en la que no haya focos de ignición en funcionamiento continuo (por ejemplo, llamas abiertas o un aparato de gas o calefactor eléctrico en funcionamiento).
- No perfore ni queme el aparato.
- Tenga en cuenta que los refrigerantes pueden emitir olores.



- Este aparato debe instalarse, utilizarse y almacenarse en una habitación con un área superior a X m<sup>2</sup>. (X = 4 para 5000 Btu/h, 7000 Btu/h, 8000 Btu/h; X = 7,7 para 9000 Btu/h, 10 000 Btu/h, 10 500 Btu/h).
- Póngase en contacto solo con un técnico de servicio autorizado para llevar a cabo las tareas de reparación o mantenimiento de esta unidad.
- No estire del cable de alimentación ni lo deforme, modifique o sumerja en agua. Si estira del cable de alimentación o no lo utiliza de manera adecuada, la unidad podría sufrir daños y podría producirse una descarga eléctrica.
- Deben cumplirse las normativas nacionales relativas al gas.
- Mantenga libres de obstrucciones las ranuras de ventilación.
- Toda persona que manipule o abra un circuito de refrigerante debe contar con un certificado válido actualizado de un organismo de evaluación autorizado del sector en el que se reconozca su competencia para manipular refrigerantes

con seguridad de acuerdo con las especificaciones de evaluación reconocidas del sector.

- Las tareas de mantenimiento solo deben llevarse a cabo siguiendo las recomendaciones del fabricante del equipo. Las tareas de mantenimiento y reparación que requieran la ayuda de personal cualificado deben llevarse a cabo bajo la supervisión de las personas capacitadas en el uso de refrigerantes inflamables.
- No retire el enchufe eléctrico para detener la unidad mientras esté en funcionamiento, ya que la generación de calor podría provocar una descarga eléctrica o un incendio a menos que se escuchen sonidos extraños, o la unidad desprenda un olor inusual o humo.



Información específica sobre aparatos con gas refrigerante R290.

- Lea detenidamente todas las advertencias.

- Cuando descongele y limpie el aparato, no utilice herramientas distintas a las recomendadas por la empresa fabricante.
- El aparato no debe almacenarse en una habitación en la que no haya focos de ignición en funcionamiento continuo (por ejemplo, llamas abiertas, o un aparato de gas o un calefactor eléctrico en funcionamiento).
- No lo perforo ni lo queme.
- El aparato debe instalarse, utilizarse y almacenarse en una habitación con un área superior a X m<sup>2</sup>. (X = 4 para 5000 Btu/h, 7000 Btu/h, 8000 Btu/h; X = 7,7 para 9000 Btu/h, 10 000 Btu/h, 10 500 Btu/h).
- Este aparato contiene Y g (véase la etiqueta de características de la parte posterior de la unidad) de gas refrigerante R290.
- El R290 es un gas refrigerante que cumple con las directivas europeas sobre medio ambiente. No perforo ninguna parte del circuito de refrigerante.
- Si el aparato se instala, se utiliza o se almacena en una zona no ventilada, el diseño de la habitación debe evitar la acumulación de fugas de refrigerante que supongan un riesgo de incendio o explosión si el refrigerante se incendia debido a calefactores eléctricos, estufas u otros focos de ignición.
- El aparato se debe almacenar de modo que se eviten los fallos mecánicos.
- Las personas que manipulen o intervengan en el circuito de refrigerante deben contar con la certificación correspondiente emitida por un organismo autorizado que garantice su competencia para manipular refrigerantes de acuerdo con la evaluación específica reconocida del sector.
- Las reparaciones se deben realizar siguiendo las recomendaciones de la empresa fabricante. Las tareas de mantenimiento y reparación que requieran la ayuda de personal cualificado se llevarán a cabo bajo la supervisión de una persona capacitada en el uso de refrigerantes inflamables.

#### Pilas

- No exponga la pila a altas temperaturas ni a la luz solar directa. No arroje nunca las pilas al fuego. Existe peligro de explosión.
- Mantenga las pilas fuera del alcance de los niños. Las pilas no son un juguete.
- No fuerce las pilas para abrirlas.

- Evite todo contacto con objetos metálicos. (Anillos, clavos, tornillos, etc.) existe riesgo de cortocircuito.
- Como consecuencia de un cortocircuito, las pilas pueden calentarse en exceso o incluso incendiarse. Pueden producirse quemaduras.
- Por razones de seguridad, los polos de la pila deben estar cubiertos con cintas adhesivas durante el transporte.
- No toque una pila dañada y/o con fugas. Si el líquido de la pila entra en contacto con los ojos, enjuáguese los ojos lo antes posible con agua limpia, sin restregarlos. Acuda inmediatamente a un hospital. Si no se recibe el tratamiento adecuado, pueden ocasionarse problemas oculares.
- No ingiera la pila, puede provocar quemaduras químicas;
- Este producto contiene una pila de tipo botón. Si esta se ingiere, puede causar quemaduras internas graves en apenas 2 horas y provocar la muerte.
- Si el compartimento de las pilas no cierra bien, no utilice el producto y manténgalo fuera del alcance de los niños.

- Si cree que alguien ha podido ingerir pilas o introducirse en cualquier parte del cuerpo, acuda inmediatamente al médico.
- Las pilas contienen materiales que son perjudiciales para el medioambiente; deben retirarse del aparato antes de desecharlo y eliminarse de forma segura.

#### Refrigerante

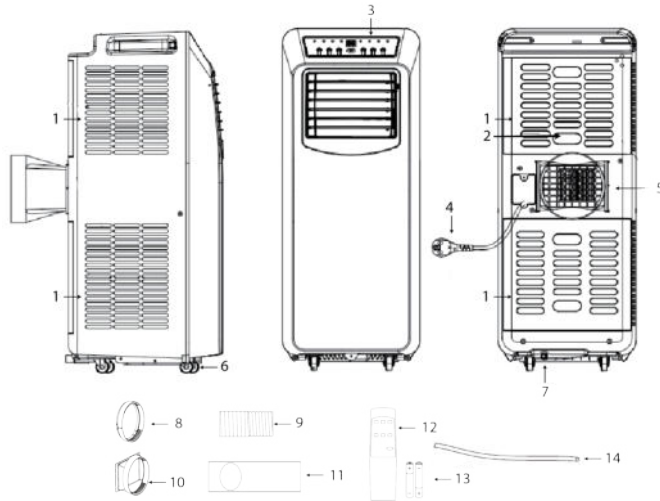
(CE) N 842/2006: Esta unidad contiene refrigerante R290. Incluye menos de 1 kg de refrigerante en un circuito de refrigeración cerrado. El potencial de agotamiento de la capa de ozono del refrigerante es nulo, pero según el Protocolo de Kioto es un gas de efecto invernadero y, por lo tanto, contribuye al calentamiento global si se emite a la atmósfera. Por eso, únicamente los técnicos capacitados que dispongan del certificado sobre el refrigerante correspondiente pueden rellenar o vaciar la unidad. Si utiliza correctamente el aparato y el circuito de refrigerante no está dañado, no es necesario rellenarlo con refrigerante. PCG: R290: 3

ES

### DESCRIPCIÓN DE LAS PIEZAS

|                          |  |
|--------------------------|--|
| 1. Entrada de aire       | 8. Conector del tubo (extremo de la ventana)                       |
| 2. Filtro de aire        | 9. Tubo de extracción del aire caliente                            |
| 3. Panel de control      | 10. Conector del tubo (extremo de la unidad de aire acondicionado) |
| 4. Cable de alimentación | 11. Kit de guías para ventanas + tacos de fijación                 |

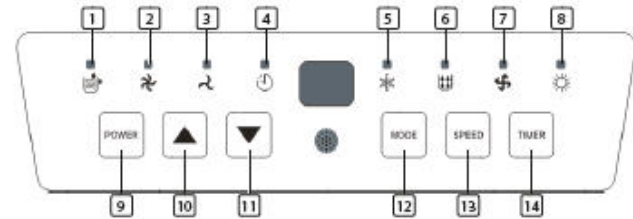
|                    |                       |
|--------------------|-----------------------|
| 5. Salida de aire  | 12. Mando a distancia |
| 6. Rueda giratoria | 13. Pilas             |
| 7. Tubo de drenaje | 14. Tubo de drenaje   |



### FUNCIONES DEL PANEL DE CONTROL

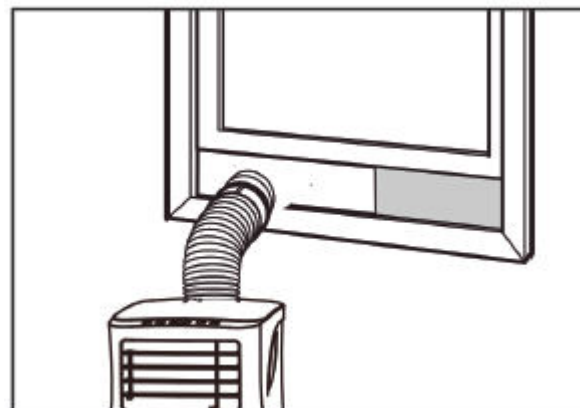
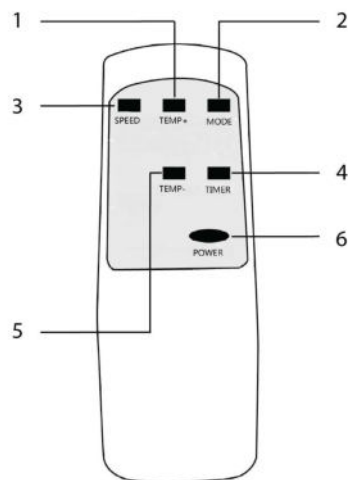
|                                  |                               |
|----------------------------------|-------------------------------|
| 1. Indicador de llenado de agua  | 8. Indicador de calentamiento |
| 2. Indicador de ventilación alta | 9. Botón de encendido/apagado |
| 3. Indicador de ventilación baja | 10. Botón + de temperatura    |
| 4. Indicador del temporizador    | 11. Botón – de temperatura    |

|                                  |  |
|----------------------------------|--|
| 5. Indicador de enfriamiento     | 12. Botón de modo                                      |
| 6. Indicador de deshumidificador | 13. Botón de ajuste de velocidad del ventilador        |
| 7. Indicador de ventilación      | 14. Botón de activación/desactivación del temporizador |



### MANDO A DISTANCIA

1. Botón para aumentar la temperatura
2. Botón de modo
3. Botón de ajuste de velocidad del ventilador
4. Botón del temporizador (activación/desactivación)
5. Botón para reducir la temperatura
6. Botón de encendido/apagado



## ANTES DEL PRIMER USO

Antes de comenzar a realizar las operaciones descritas en esta sección:

- Busque un lugar con una fuente de alimentación próxima.
- Instale el tubo flexible de escape y ajuste correctamente la posición de la ventana.
- Las pequeñas pinzas blancas suministradas deben montarse en el kit de ventana.

- Enchufe el cable de alimentación en una toma con conexión a tierra CA220~240 V/50 Hz.
- Pulse el botón de encendido para poner en marcha la unidad de aire acondicionado.
- Ajuste el intervalo de temperatura: 16 - 31 °C.
- Asegúrese de que el tubo flexible de escape se haya instalado correctamente.
- Al utilizar las funciones de refrigeración, calentamiento y deshumidificación, espere al menos tres minutos antes de apagar y encender la unidad.

## USO

### Modo de refrigeración

- Pulse el botón de modo hasta que aparezca el icono de refrigeración.

ES

- Pulse el botón ▲ o ▼ para seleccionar la temperatura que desee para la habitación.
- Espere unos cinco minutos a que se inicie la refrigeración.
- Pulse el botón de velocidad del ventilador para ajustar el flujo de aire.

#### Modo de deshumidificación

- Pulse el botón de modo hasta que parpadee el indicador de deshumidificación.
- La temperatura se seleccionará automáticamente.
- La velocidad del ventilador se seleccionará automáticamente.

#### Modo de calentamiento

- Pulse el botón de modo hasta que aparezca el icono de calentamiento.
- Pulse el botón ▲ o ▼ para seleccionar la temperatura que desee para la habitación.
- Espere unos cinco minutos a que se inicie el calentamiento.
- Pulse el botón de velocidad del ventilador para ajustar el flujo de aire.

#### Modo de temporizador

##### Temporizador de activación

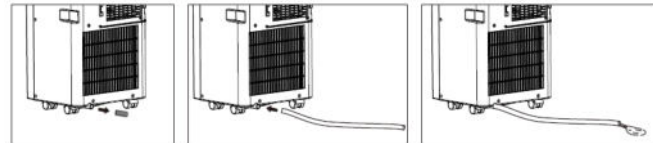
- Cuando la unidad de aire acondicionado esté apagada, pulse el botón del temporizador, seleccione el tiempo de activación que desee mediante los botones de temperatura.
- El tiempo de activación puede ajustarse en un valor entre 0 y 24 horas.

##### Temporizador de desactivación

- Cuando la unidad de aire acondicionado esté encendida, pulse el botón del temporizador, seleccione el tiempo de desactivación que desee mediante los botones de temperatura.
- El tiempo de desactivación puede ajustarse en un valor entre 0 y 24 horas.

#### Drenaje

- Tras un uso prolongado de la unidad y antes de guardarla, debe drenar el agua que se ha acumulado. Prepare una ubicación o una bandeja adecuadas para recoger el agua y retire el tapón de goma del orificio de drenaje situado en la parte inferior de la unidad. A continuación, empezará a drenarse el agua. Una vez completado el proceso, puede insertar el tapón de drenaje.
- Puede conectar un tubo de drenaje que drenará el agua de forma continua. Retire el tope de goma y conecte un tubo adecuado. Este tubo debe dirigirse al exterior o a un desagüe adecuado. Tenga en cuenta que el agua fluirá hacia abajo y nunca hacia arriba.

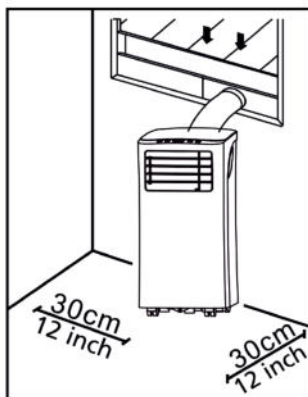


#### Función de alarma de depósito de agua lleno

- El depósito de agua interno de la unidad de aire acondicionado incluye un interruptor de seguridad que controla el nivel de agua. Si el nivel de agua alcanza la altura prevista, se encenderá el indicador de depósito de agua lleno. Siga los pasos indicados anteriormente para drenar el agua.

## INSTALACIÓN

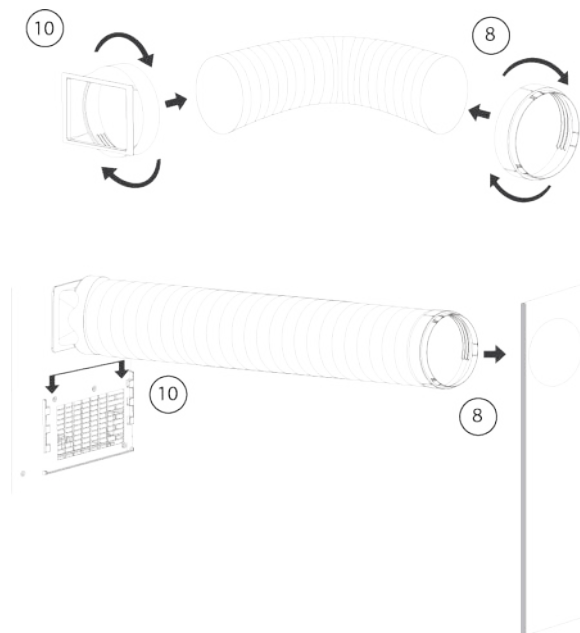
- La unidad de aire acondicionado debe instalarse sobre una superficie plana y estable. No bloquee la salida de aire y deje al menos 30 cm des espacio libre alrededor de la unidad.



- El cableado de las tomas debe cumplir los requisitos locales de seguridad eléctrica.

### Instalación del tubo de extracción

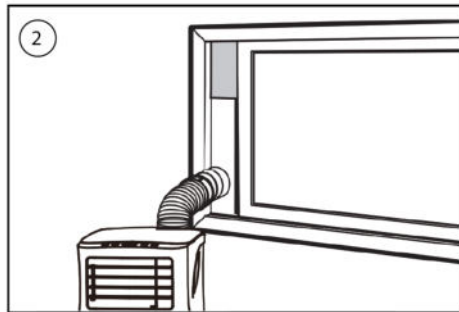
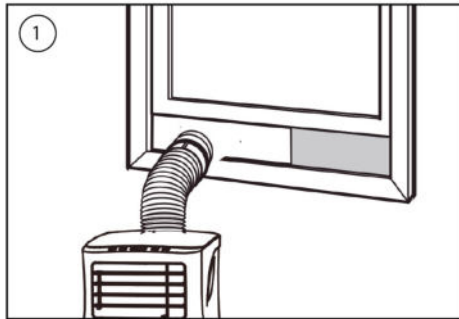
- Enrosque ambos extremos conectores del tubo de extracción de aire caliente(9); uno en el conector de la ventana (8) y otro en el conector de la unidad de aire acondicionado(10).
- Inserte el extremo del tubo (10) en las aberturas de la parte posterior de la unidad de aire acondicionado.
- Fije el extremo conector del tubo de la ventana (8) al alféizar más cercano.



### Kit de Instalación de guías de ventana

- Ajuste la anchura (imagen 1) o la altura (imagen 2) de la guía de la ventana(11) para adaptarla al hueco de la ventana y fije la posición(11) con los tacos de fijación.
- Deslice la ventana hacia la guía.

ES



## LIMPIEZA Y MANTENIMIENTO

- Antes de limpiar la unidad, desconéctela de la toma de suministro eléctrico.
- En primer lugar, limpie la superficie con un detergente neutro y un paño húmedo y, a continuación, límpiela con un paño seco.
- No utilice gasolina ni ningún otro producto químico para limpiar la unidad.
- No lave directamente la unidad.

### Filtro de aire

- El filtro de aire debe limpiarse una vez cada dos semanas.
- Abra la rejilla de entrada de aire y retire el filtro de aire.
- Limpie el filtro de aire con detergente neutro en agua tibia a 40 °C y déjelo secar (no a luz solar directa).
- Instale de nuevo el filtro de aire en la rejilla de entrada.



## SOLUCIÓN DE PROBLEMAS

| PROBLEMAS   | Posibles causas  | Soluciones recomendadas   |
|---|--|---|
| La unidad no se pone en marcha al pulsar el botón de encendido. | <ul style="list-style-type: none"> <li>El indicador de depósito de agua lleno parpadea debido a que el depósito está lleno.</li> <li>La temperatura de la habitación es superior a la temperatura ajustada (modo de calefacción eléctrica).</li> <li>La temperatura de la habitación es inferior a la temperatura ajustada (modo de refrigeración).</li> </ul> | <ul style="list-style-type: none"> <li>Drene el agua del depósito.</li> <li>Ajuste la temperatura.</li> </ul> |

|   |   |   |
|---|---|---|
| La unidad no suministra refrigeración suficiente. | <ul style="list-style-type: none"> <li>Las puertas o las ventanas no están cerradas.</li> <li>Hay fuentes de calor dentro de la habitación.</li> <li>El tubo flexible de escape de aire caliente no está conectado o está obstruido.</li> <li>Se ha ajustado una temperatura demasiado alta.</li> <li>La entrada de aire está obstruida.</li> </ul> | <ul style="list-style-type: none"> <li>Asegúrese de que las ventanas y las puertas estén cerradas.</li> <li>Retire las fuentes de calor si es posible.</li> <li>Conecte o limpie el tubo flexible de escape de aire caliente.</li> <li>Restablezca la temperatura.</li> <li>Limpie la entrada de aire.</li> </ul> |
| Apagado automático en el modo de calefacción.     | <ul style="list-style-type: none"> <li>Se trata de una protección de calefacción. Cuando la temperatura de la salida del aire supera los 70 grados, la unidad se apagará automáticamente.</li> </ul>  | <ul style="list-style-type: none"> <li>Espere a que se enfríe la habitación antes de poner en funcionamiento de nuevo la unidad.</li> </ul>   |

ES

|                 |  |  |
|-----------------|--|--|
| Ruido excesivo. | <ul style="list-style-type: none"> <li>El suelo no está nivelado o no es lo suficientemente plano.</li> <li>El sonido procede del flujo de refrigerante en la unidad de aire acondicionado.</li> </ul> | <ul style="list-style-type: none"> <li>Coloque la unidad sobre una superficie plana y nivelada si es posible.</li> </ul> |
| Código E0.      | <ul style="list-style-type: none"> <li>Error del sensor de temperatura ambiente.</li> </ul>  | <ul style="list-style-type: none"> <li>Sustituya el sensor de temperatura ambiente.</li> </ul>                           |
| Código E2/E4.   | <ul style="list-style-type: none"> <li>Depósito de agua lleno.</li> </ul>  | <ul style="list-style-type: none"> <li>Vacíe el depósito de agua.</li> </ul>   |

**TABLA AC-5560**

|  |                |              |               |
|--|----------------|--------------|---------------|
| Requisitos de información para acondicionadores de aire de conducto simple y doble |                |              | P             |
| Información identificativa del modelo/s correspondientes:                          |                |              |               |
| <b>Descripción</b>   | <b>Símbolo</b> | <b>Valor</b> | <b>Unidad</b> |
| Capacidad nominal de refrigeración   | Precio         | 2,9          | kW            |
| Capacidad nominal de calefacción   | Precio         | 2,7          | kW            |

|   |                |   |               |
|---|----------------|---|---------------|
| Potencia nominal de entrada para refrigeración  | Pares          | 1,115   | kW            |
| Potencia nominal de entrada para calefacción  | Pcop           | 1,173   | kW            |
| Consumo de energía en modo termostato-apagado   | Pto            | N/D   | W             |
| Consumo de energía en modo de espera  | Psb            | 0,5   | W             |
| Consumo de energía en modo OFF  | Poff           | N/D   | W             |
| Consumo de energía del modo de calefacción del cárter   | Pck            | N/D   | W             |
| Información identificativa del modelo/s correspondientes:   |                |   |               |
| <b>Descripción</b>  | <b>Símbolo</b> | <b>Valor</b>  | <b>Unidad</b> |
| Índice de eficiencia energética   | EERrated       | 2,60  |               |
| Coefficiente de rendimiento nominal   | COPrated       | 2,3   |               |
| Consumo eléctrico de aparatos de conducto único/doble (indicar para refrigeración y calefacción por separado) | Qsd            | DE: 1,15<br>(Refrigeración)<br>SD: 1,173<br>(Calefacción) | kWh/h         |
| Consumo eléctrico del aparato de doble conducto   | Qdd            | N/D   | kWh/h         |
| Nivel de potencia acústica  | Lwa            | 65  | dB(A)         |

## EL PRODUCTO O EQUIPO CONTIENE GAS FLUORADO DE EFECTO INVERNADERO.

|                                    |         |
|------------------------------------|---------|
| Art. nº:                           | AC-5560 |
| Refrigerante                       | R290    |
| Cantidad en kg:                    | 0,215   |
| Potencial de calentamiento global: | 3       |
| Equivalente de CO2 en toneladas:   | 0,0007  |

La directiva europea sobre las pilas (2006/66/CE) establece que no está permitido tirar las pilas junto con los residuos domésticos. Pueden contener sustancias perjudiciales para el medio ambiente. Las pilas vacías se pueden llevar a un punto de recogida local público o a un centro de reciclaje. Para evitar la sobrecarga como resultado de un cortocircuito, las pilas de litio deben extraerse del producto y los polos deben protegerse con una tapa de aislamiento o algún otro método que evite los cortocircuitos.

Puede encontrar toda la información y recambios en [www.tristar.eu](http://www.tristar.eu)!

ES

## ENTORNO



Una vez finalizada la durabilidad de este equipo, no debe desecharse junto con la basura doméstica; debe llevarse a un punto central de reciclaje de equipos domésticos eléctricos y electrónicos. Este símbolo del equipo, el manual de instrucciones y el embalaje captan su atención acerca de la importancia de este asunto. Los materiales utilizados en este equipo son reciclables. Al reciclar equipos domésticos usados, contribuye enormemente a la protección del medio ambiente. Pida información sobre los puntos de recogida a sus entidades locales.

## SEGURANÇA

- Leia este manual de utilização com atenção para garantir a devida utilização, manutenção e instalação.
- O fabricante não pode ser responsabilizado por quaisquer danos se você ignorar as instruções de segurança.
- O aparelho destina-se apenas a utilização no interior.
- Não utilize a unidade numa tomada danificada ou que não esteja corretamente instalada.
- Não utilize a unidade:
  - perto de uma fonte de incêndio.
  - numa área onde há probabilidade de salpicar óleo.
  - numa área exposta a radiação solar direta.
  - numa área onde há probabilidade de salpicar água.
  - perto de uma banheira, chuveiro ou piscina.
- Nunca introduza os dedos ou objetos na saída de ar. Tenha o especial cuidado de avisar as crianças destes perigos.

- Mantenha a unidade na vertical durante o transporte e armazenamento.
- Antes de limpar a unidade, desligue sempre a alimentação de energia.
- Desligue sempre a alimentação de energia antes de deslocar a unidade.



- **AVISO:** Para evitar o risco de incêndio, não cubra a unidade.

- Todas as tomadas da unidade devem estar em conformidade com os requisitos locais em matéria de segurança elétrica. Se necessário, confirme o cumprimento dos requisitos.
- Se o cabo de alimentação estiver danificado, deve ser substituído pelo fabricante, o seu representante de assistência técnica ou alguém com qualificações semelhantes para evitar perigos.
- Se o cabo de alimentação estiver danificado, deve ser substituído pelo fabricante, o seu representante de assistência técnica ou alguém com qualificações semelhantes para evitar perigos.
- Este aparelho pode ser utilizado por crianças a partir dos 8 anos e por pessoas com capacidades físicas, sensoriais ou mentais reduzidas, assim como com falta de experiência e conhecimentos, caso sejam supervisionadas ou instruídas sobre como utilizar o aparelho de modo seguro e compreendam os riscos envolvidos. As crianças não devem brincar com o aparelho.

A limpeza e manutenção pelo utilizador não devem ser realizadas por crianças sem supervisão.

- Este aparelho destina-se apenas a utilização doméstica e para os fins para os quais foi concebido.
- Notas:
  - Em caso de danos, desligue a alimentação de energia e contacte o revendedor ou uma loja de reparações designada.
  - Em qualquer caso, o cabo de alimentação deve estar bem ligado à terra.
  - Para evitar qualquer perigo, se o cabo de alimentação estiver danificado, desligue a alimentação de energia. O cabo deve ser substituído pelo revendedor ou por uma loja de reparações designada.

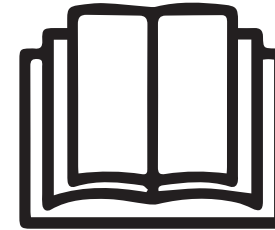
**Aviso**

- Use apenas o processo de descongelação e limpeza recomendado pelo fabricante. Não acelere, de qualquer outra forma, o processo de descongelação ou limpeza.

- O aparelho deve ser guardado num espaço sem fontes de ignição contínua (por exemplo: chamas vivas, aparelho a gás ligado ou aquecedor elétrico ligado).
- Não fure nem queime.
- Tenha em atenção que os refrigerantes podem não ter odor.
- O aparelho deve ser instalado, colocado a funcionar e armazenado numa divisão com área superior a X m<sup>2</sup>. (X=4 para 5000Btu/h, 7000Btu/h, 8000Btu/h; X=7,7 para 9000Btu/h, 10000Btu/h, 10500Btu/h)
- Contacte apenas um técnico de assistência autorizado para reparação ou manutenção desta unidade.
- Não puxe, deforme ou modifique o cabo de alimentação nem o mergulhe em água. Puxar ou manipular indevidamente o cabo de alimentação pode resultar em danos na unidade e provocar choque elétrico.
- Deve cumprir a legislação nacional em matéria de gás.
- Mantenha os orifícios de ventilação desobstruídos.
- Qualquer pessoa envolvida em trabalhos ou na abertura de um circuito de refrigeração deve possuir um certificado válido emitido

por uma entidade de avaliação competente, acreditada pela indústria, que ateste a sua competência para manusear refrigerantes com segurança, de acordo com os critérios de avaliação reconhecidos pelo setor.

- A assistência técnica deve ser executada unicamente conforme recomendado pelo fabricante do equipamento. A manutenção e reparação que requerem a assistência de outro pessoal qualificado devem ser efetuadas sob a supervisão de uma pessoa ou pessoas competente(s) na utilização de refrigerantes inflamáveis.
- Não pare a unidade puxando a ficha de alimentação durante o funcionamento, pois pode provocar um choque elétrico ou incêndio devido ao calor gerado, a não ser que escute ruídos estranhos, sinta um cheiro estranho ou verifique a saída de fumo da unidade.



Informação específica relativa a aparelhos com gás refrigerante R 290.

- Leia com atenção todos os avisos.
- Quando descongelar e limpar o aparelho, não use quaisquer ferramentas que não tenham sido recomendadas pela empresa fabricante.
- O aparelho não deve ser guardado num espaço com fontes de ignição contínua (por exemplo: chamas vivas, aparelho a gás ligado ou aquecedor elétrico ligado).
- Não fure nem queime.
- O aparelho deve ser instalado, colocado a funcionar e armazenado numa divisão com área superior a X m<sup>2</sup>. (X=4 para 5000Btu/h, 7000Btu/h, 8000Btu/h; X=7,7 para 9000Btu/h, 10000Btu/h, 10500Btu/h)
- Este aparelho contém Y g (ver etiqueta com classificação na traseira da unidade) de gás refrigerante R290.
- O R290 é um gás refrigerante que cumpre as diretivas europeias sobre o ambiente. Não fure qualquer parte do circuito de refrigeração.
- Se o aparelho for instalado, colocado a funcionar ou armazenado numa área não ventilada, o espaço deve ter condições para

evitar a acumulação de fugas de refrigerante que podem resultar num risco de incêndio ou explosão devido à ignição do refrigerante causada por aquecedores elétricos, fogões ou outras fontes de ignição.

- O aparelho deve ser armazenado de forma a evitar uma falha mecânica.
- Os indivíduos que operam ou trabalham no circuito de refrigeração devem ter uma certificação adequada, emitida por uma organização acreditada que garanta a respetiva competência no manuseio de refrigerantes, de acordo com uma avaliação específica, reconhecida por associações do setor.
- Eventuais reparações devem ser efetuadas com base na recomendação da empresa fabricante. A manutenção e reparação que requerem a assistência de outro pessoal qualificado devem ser efetuadas sob a supervisão de uma pessoa competente na utilização de refrigerantes inflamáveis.

#### Baterias

- Não exponha a pilha a altas temperaturas ou luz direta do sol. Nunca deitar pilhas ao fogo. Existe o perigo de explosão!

- Manter as pilhas longe do alcance das crianças. As pilhas não são um brinquedo!
- Não abrir as pilhas à força.
- Evitar o contacto com objetos metálicos. (Argolas, pregos, parafusos, etc.) existe o perigo de curto-circuito!
- Em consequência de um curto-circuito, as pilhas podem aquecer consideravelmente ou mesmo incendiar-se. isto pode resultar em queimaduras.
- Para sua segurança, os polos da pilha devem ser cobertos com tiras adesivas durante o transporte.
- Não toque numa pilha danificada e/ou com fugas. Se o líquido da pilha entrar em contacto com os seus olhos, lave-os o mais rapidamente possível com água limpa, sem os esfregar. Vá imediatamente para o hospital. Se esta situação não for tratada corretamente, pode causar problemas oculares.
- Não ingerir a pilha, Perigo de Queimadura Química;
- Este produto contém uma pilha célula do tipo moeda/botão. Se a pilha célula do tipo moeda/botão for ingerida, pode causar queimaduras internas graves em apenas 2 horas e pode conduzir à morte.
- Se o compartimento da pilha não fechar de forma segura, deixe de utilizar o produto e mantenha-o longe do alcance das crianças.
- Se pensar que as pilhas podem ter sido ingeridas ou colocadas dentro de qualquer parte do corpo, procure ajuda médica de imediato.
- As pilhas contêm materiais que são perigosos para o ambiente; têm de ser retiradas do dispositivo antes de o descartar e ser eliminadas de forma segura.

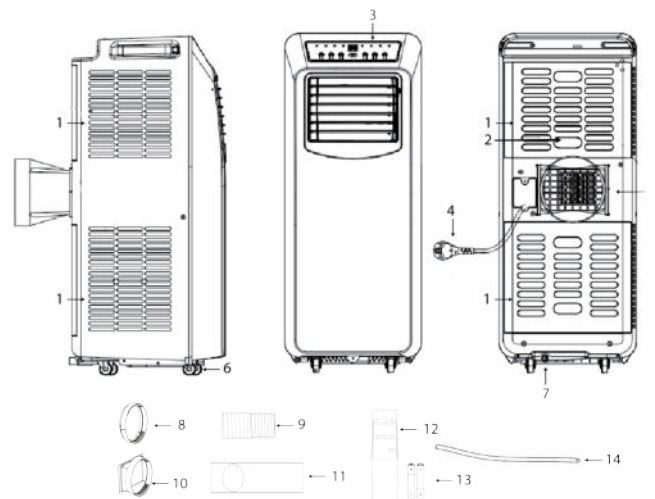
#### **Refrigerante**

(CE) N 842/2006: Esta unidade contém o refrigerante R290. A quantidade de refrigerante é inferior a 1kg e encontra-se num circuito de refrigeração fechado. O refrigerante tem zero potencial de destruição da camada de ozono, mas é um dos chamados gases com efeito de estufa, segundo o Protocolo de Quioto, pelo que pode contribuir para o aquecimento global se for libertado para a atmosfera. Neste sentido, o enchimento o esvaziamento do circuito deve ser efetuado unicamente por técnicos qualificados. O seu aparelho não tem de ser reabastecido com refrigerante se utilizado corretamente e possui um circuito de refrigeração intacto. GWP: R290: 3



## DESCRIÇÃO DAS PEÇAS

|                           |  |
|---------------------------|--|
| 1. Entrada de ar          | 8. Conector da mangueira (extremidade da janela)           |
| 2. Filtro de ar           | 9. Mangueira de exaustão de ar quente                      |
| 3. Painel de controlo     | 10. Conector da mangueira (extremidade do ar condicionado) |
| 4. Cabo de alimentação    | 11. Kit de janelas deslizantes + buchas de fixação         |
| 5. Saída de ar            | 12. Controlo remoto  |
| 6. Rodízio                | 13. Baterias   |
| 7. Orifício para drenagem | 14. Mangueira para drenagem                                |



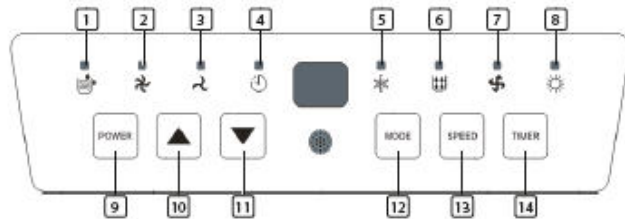
PT

## FUNÇÃO DO PAINEL DE CONTROLO

|  |  |
|--|--|
| 1. Indicador de depósito de água cheio | 8. Indicador de aquecimento cheio              |
| 2. Indicador de ventilação alta        | 9. Botão de ligar/desligar                     |
| 3. Indicador de ventilação baixa       | 10. Botão de temperatura +                     |
| 4. Indicador do temporizador           | 11. Botão de temperatura –                     |
| 5. Indicador de arrefecimento          | 12. Botão de modo                              |
| 6. Indicador do desumidificador        | 13. Botão de ajuste da velocidade da ventoinha |

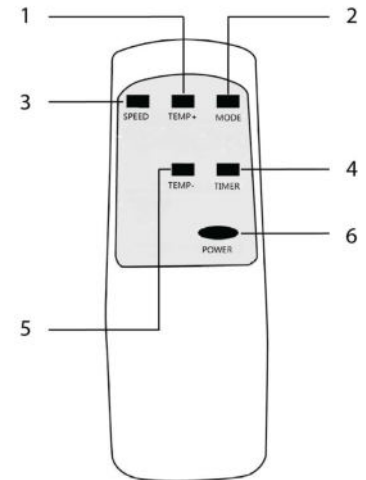
7. Indicador de ventoinha

14. Botão de ligar/desligar temporizador



### CONTROLO REMOTO

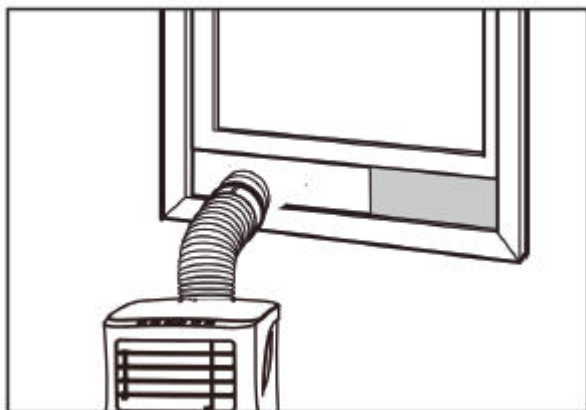
1. Botão para aumentar a temperatura
2. Botão de modo
3. Botão de ajuste da velocidade da ventoinha
4. Botão do temporizador (on/off)
5. Botão para diminuir a temperatura
6. Botão de ligar/desligar (on/off)



### ANTES DA PRIMEIRA UTILIZAÇÃO

Antes de iniciar as operações nesta secção:

- Encontre um lugar com uma rede elétrica próxima.
- Instale a mangueira de exaustão e ajuste bem a posição da janela.
- Os cliques brancos pequenos que são fornecidos devem ser montados no kit de janela.



- Insira o cabo de alimentação numa tomada de AC220~240V/50Hz ligada à terra.
- Prima o botão de alimentação para ligar o ar condicionado.
- Regule os limites de temperatura: 16°C-31°C.
- Verifique se a mangueira de exaustão ficou corretamente montada.
- Quando usar as funções de refrigeração, aquecimento e desumidificação, aguarde pelo menos 3 minutos depois de desligar e voltar a ligar a unidade.

## UTILIZAÇÃO

### Operação de refrigeração

- Prima o botão “Mode” (Modo) até aparecer o ícone “Cool” (Refrigerar).

- Prima o botão ▲ ou ▼ para selecionar a temperatura ambiente desejada.
- O processo de refrigeração deve demorar cerca de 5 minutos a iniciar.
- Prima o botão “fan speed” (velocidade da ventoinha) para ajustar o fluxo de ar.

### Operação de desumidificação

- Prima o botão “Mode” (modo) até que a luz indicadora de desumidificação comece a piscar.
- A temperatura será selecionada automaticamente.
- A velocidade da ventoinha será selecionada automaticamente.

### Operação de aquecimento

- Prima o botão “mode” (modo) até aparecer o ícone “Heat” (Aquecer).

- Prima o botão ▲ ou ▼ para selecionar a temperatura ambiente desejada.
- O processo de aquecimento deve demorar cerca de 5 minutos a iniciar.
- Prima o botão “fan speed” (velocidade da ventoinha) para ajustar o fluxo de ar.

### Operação do temporizador

#### Configuração de Temporizador ON (LIGADO)

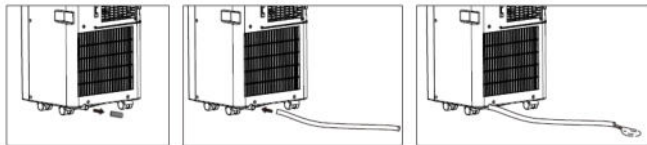
- Com o ar condicionado desligado (OFF), prima o botão “Timer” (temporizador) e selecione a hora de ativação (ON) desejada com os botões de temperatura.
- A hora de ativação pode ser ajustada para qualquer hora do período de 0-24 horas.

#### Configuração de Temporizador OFF (DESLIGADO)

- Com o ar condicionado ligado (ON), prima o botão "Timer" (temporizador) e selecione a hora de desativação (OFF) desejada com os botões de temperatura.
- A hora de desativação pode ser ajustada para qualquer hora do período de 0-24 horas.

#### Drenagem

- É necessário drenar a água acumulada no aparelho depois de um longo período de funcionamento e antes do respetivo armazenamento. Prepare um local ou tabuleiro adequado para recolha da água e remova o bujão de borracha do orifício de drenagem que se encontra na base da unidade. A água irá começar a escoar para fora da unidade. Assim que parar, pode voltar a inserir o bujão de drenagem.
- Pode ligar uma mangueira de drenagem que permitirá o escoamento contínuo da água. Retirar o batente de borracha e ligar uma mangueira adequada. Esta mangueira tem de ser direcionada para o exterior ou para um dreno adequado. Tenha em atenção que a água correrá para baixo e nunca para cima.

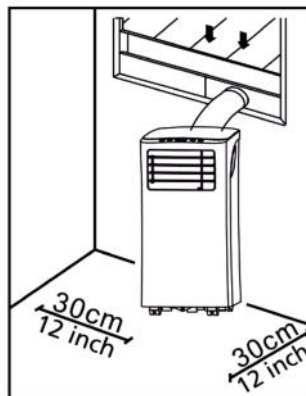


#### Função de alarme de depósito de água interno cheio

- O depósito de água interno do ar condicionado tem um interruptor de segurança que controla o nível de água. Quando o nível de água alcança uma altura antecipada, a luz indicadora de nível máximo acende. Siga os passos atrás para drenar a água.

## INSTALAÇÃO

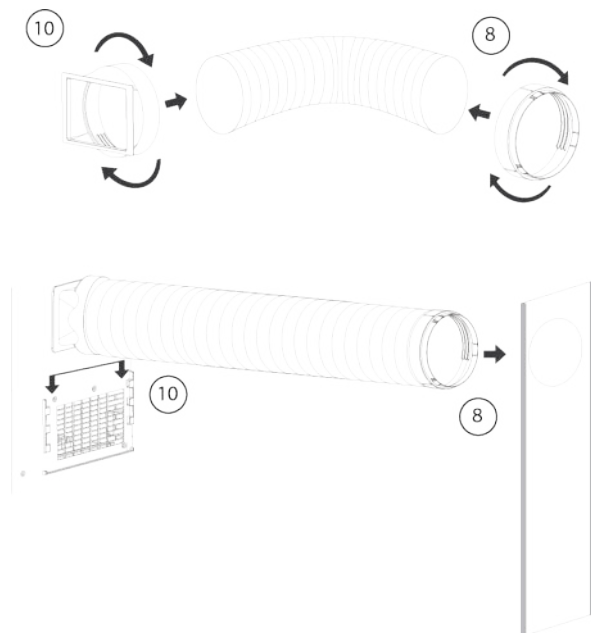
- O aparelho de ar condicionado deve ser instalado numa superfície plana e estável. Não bloquear a saída de ar e deixar pelo menos 30 cm à volta da unidade.



- A cablagem das tomadas deve estar em conformidade com os requisitos locais de segurança elétrica.

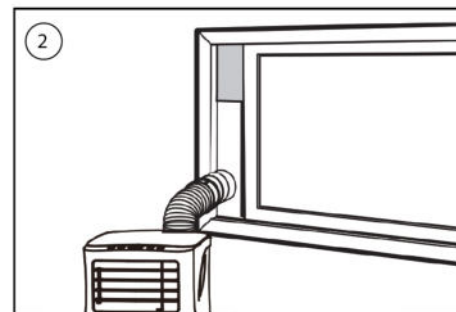
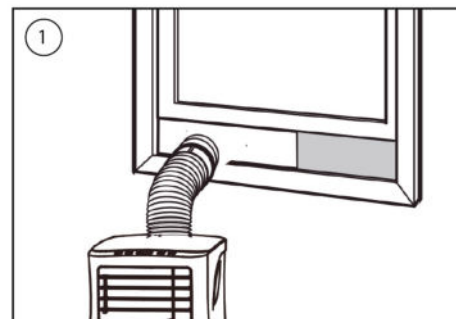
#### Instalação da mangueira de exaustão

- Enrosque ambas as extremidades da mangueira de exaustão de ar quente(9) no conetor da mangueira (extremidade da janela)(8) e no conetor da mangueira (extremidade do ar condicionado)(10).
- Insira o conetor da mangueira (extremidade do ar condicionado) (10) nas aberturas na parte de trás do ar condicionado.
- Fixe o conetor da mangueira(extremidade da janela)(8) no parapeito da janela mais próximo.



#### Instalação do kit deslizante de janela

- Ajustar a largura (figura 1) ou a altura (figura 2) da corredeira da janela(11) à abertura da janela e fixar a posição da corredeira da janela(11) com as buchas de fixação.
- Deslize a janela para cima até à corredeira.



PT

## LIMPEZA E MANUTENÇÃO

- Antes de limpar, desligue a unidade de qualquer fonte de alimentação elétrica.
- Primeiro, limpe a superfície com um detergente neutro e um pano húmido, depois passe um pano seco.
- Não use gasolina ou outros químicos para limpar a unidade.
- Não lave diretamente a unidade.

### Filtro de ar

- O filtro de ar deve ser limpo de duas em duas semanas.
- Abra a grade de entrada de ar e retire o filtro.
- Limpe o filtro de ar com detergente neutro em água morna a 40 °C e deixe secar (sem luz solar direta).
- Reinstale o filtro de ar na grade de entrada.

## RESOLUÇÃO DE PROBLEMAS

| Problemas | Possíveis Causas | Resoluções Sugeridas |
|-----------|------------------|----------------------|
|-----------|------------------|----------------------|

|  |  |  |
|--|--|--|
| <p>A unidade não começa a funcionar quando se prime o botão de ligar/desligar.</p> | <ul style="list-style-type: none"> <li>• A luz indicadora de depósito de água cheio pisca e o depósito está cheio.</li> <li>• A temperatura ambiente é superior à temperatura definida. (modo de aquecimento elétrico)</li> <li>• A temperatura ambiente é inferior à temperatura definida. (modo de refrigeração)</li> </ul>  | <ul style="list-style-type: none"> <li>• Drene o depósito de água.</li> <li>• Ajuste a temperatura.</li> </ul>   |
| <p>A unidade não refrigera suficientemente.</p>                                    | <ul style="list-style-type: none"> <li>• As portas ou janelas não estão fechadas.</li> <li>• Existem fontes de calor no local.</li> <li>• A mangueira de exaustão do ar quente não está ligada ou está bloqueada.</li> <li>• A temperatura definida é demasiado elevada.</li> <li>• A entrada de ar está bloqueada.</li> </ul> | <ul style="list-style-type: none"> <li>• Certifique-se de que todas as janelas e portas estão fechadas.</li> <li>• Remova as fontes de calor, se possível.</li> <li>• Ligue ou limpe a mangueira de exaustão do ar quente.</li> <li>• Redefina a temperatura.</li> <li>• Limpe a entrada de ar.</li> </ul> |

|   |   |  |
|---|---|--|
| Desconexão automática no modo de aquecimento. | <ul style="list-style-type: none"> <li>Proteção contra o calor, quando a temperatura na saída de ar ultrapassa os 70 graus, a unidade desliga-se automaticamente.</li> </ul>                        | <ul style="list-style-type: none"> <li>Aguarde que a temperatura ambiente diminua antes de reiniciar a unidade.</li> </ul> |
| Ruidoso.                                      | <ul style="list-style-type: none"> <li>O piso não é suficientemente nivelado ou plano.</li> <li>O som é produzido pela circulação do refrigerante dentro do aparelho de ar condicionado.</li> </ul> | <ul style="list-style-type: none"> <li>Coloque a unidade sobre um piso plano e nivelado, se possível.</li> </ul>           |
| Código E0.                                    | <ul style="list-style-type: none"> <li>O sensor de temperatura ambiente falhou.</li> </ul>  | <ul style="list-style-type: none"> <li>Substitua o sensor de temperatura ambiente.</li> </ul>                              |
| Código E2/E4.                                 | <ul style="list-style-type: none"> <li>Depósito de água cheio</li> </ul>  | <ul style="list-style-type: none"> <li>Esvazie o depósito de água.</li> </ul>  |

### TABELA AC-5560

|   |                |              |                |
|---|----------------|--------------|----------------|
| Requisitos de informação para aparelhos de ar condicionado com uma ou duas condutas |                |              | P              |
| Informações para identificar o(s) modelo(s) aos quais as informações se referem:    |                |              |                |
| <b>Descrição</b>  | <b>Símbolo</b> | <b>Valor</b> | <b>Unidade</b> |
| Capacidade nominal de arrefecimento   | P rated        | 2,9          | kW             |
| Capacidade nominal de aquecimento   | P rated        | 2,7          | kW             |
| Potência nominal de entrada para arrefecimento                                      | Peer           | 1,115        | kW             |
| Potência nominal de entrada para aquecimento  | Pcop           | 1,173        | kW             |
| Consumo de energia no modo de desativação do termóstato                             | Pto            | N/A          | W              |
| Consumo de energia em modo stanby   | Psb            | 0,5          | W              |
| Consumo de energia em modo OFF  | Poff           | N/A          | W              |
| Consumo de energia no modo de aquecimento do cárter                                 | Pck            | N/A          | W              |

PT

| Informações para identificar o(s) modelo(s) aos quais as informações se referem:                                       |           |   |         |
|--|-----------|---|---------|
| Descrição  | Símbolo   | Valor   | Unidade |
| Rácio de eficiência energética nominal   | EER rated | 2,60  |         |
| Coefficiente de desempenho nominal   | COP rated | 2,3   |         |
| Consumo de eletricidade dos aparelhos com uma ou duas condutas (indicar separadamente o arrefecimento e o aquecimento) | Qsd       | DP: 1,15 (arrefecimento)<br>SD: 1.173 (Aquecimento) | kWh/h   |
| Consumo de eletricidade de um aparelho de duas condutas  | Qdd       | N/A   | kWh/h   |
| Nível de potência do som   | Lwa       | 65  | dB(A)   |

## O PRODUTO OU EQUIPAMENTO CONTÉM GÁS FLUORADO COM EFEITO DE ESTUFA.

|                                  |         |
|----------------------------------|---------|
| Nº do art.                       | AC-5560 |
| Fluido refrigerante:             | R290    |
| Quantidade em kg:                | 0,215   |
| Potencial de aquecimento global: | 3       |

|                                 |        |
|---------------------------------|--------|
| Equivalente a CO2 em toneladas: | 0,0007 |
|---------------------------------|--------|

## FUNCIONAMENTO



Este equipamento não deve ser colocado no lixo doméstico no final da sua vida útil, mas antes entregue num centro de reciclagem de equipamento doméstico elétrico e eletrónico. Este símbolo no equipamento, o manual de instruções e a embalagem chamam a atenção para esta questão importante. Os materiais usados neste equipamento podem ser reciclados. Ao reciclar eletrodomésticos usados estará a contribuir de forma significativa para proteger o nosso ambiente. Informe-se sobre os pontos de recolha junto das entidades locais.

A diretiva europeia sobre pilhas (2006/66/CE) declara que não é permitido eliminar as pilhas junto com o lixo doméstico. Podem conter substâncias prejudiciais para o ambiente. As pilhas descarregadas podem ser entregues num centro de recolha público local ou num centro de reciclagem local. Para evitar o sobreaquecimento como resultado de um curto-circuito, as pilhas de lítio devem ser removidas do produto e os pólos devem ser protegidos com fita isolante ou qualquer outro meio de proteção contra curto-circuito.



Pode encontrar toda a informação disponível e peças de substituição em [www.tristar.eu](http://www.tristar.eu)!

## SICUREZZA

- Si prega di leggere attentamente questo manuale d'uso per usare, mantenere e installare correttamente l'apparecchio.
- Il produttore non è responsabile di eventuali danni e lesioni conseguenti la mancata osservanza delle istruzioni di sicurezza.
- L'apparecchio è destinato esclusivamente all'uso in ambienti interni.
- Non collegare l'apparecchio ad una presa elettrica danneggiata o non correttamente installata.
- Non utilizzare l'apparecchio:
  - vicino a fiamme libere o fuochi;
  - in luoghi dove potrebbe essere esposto a schizzi di olio;
  - alla luce diretta del sole;
  - in luoghi dove potrebbe essere esposto a schizzi di acqua;
  - vicino a bagni, docce o piscine.
- Non inserire mai le dita od oggetti nelle bocchette di uscita dell'aria. Avvertire in modo esaustivo e chiaro i bambini di questi pericoli.
- Tenere l'apparecchio in verticale durante il trasporto e lo stoccaggio.

- Prima di pulire l'apparecchio, spegnerlo o scollegarlo dall'alimentazione elettrica.
- Prima di spostare l'apparecchio, scollegarlo dall'alimentazione elettrica.



- **AVVERTENZA:** Per evitare il rischio d'incendio, non coprire l'apparecchio.

- Tutte le prese elettriche dell'apparecchio devono essere conformi ai requisiti locali di sicurezza elettrica. Verificare le prese elettriche, se necessario.
  - Se il cavo di alimentazione è danneggiato, deve essere sostituito dal produttore, da un addetto all'assistenza o da personale con qualifiche analoghe per evitare rischi.
  - Per non incorrere in pericoli, se il cavo di alimentazione è danneggiato deve essere sostituito dal produttore, da un addetto all'assistenza o da personale qualificato.
  - L'apparecchio può essere utilizzato da bambini di almeno 8 anni e da persone con ridotte capacità fisiche, sensoriali o mentali oppure da persone prive della necessaria pratica ed esperienza solo sotto la supervisione di un adulto o dopo aver ricevuto adeguate istruzioni sull'uso in sicurezza dell'apparecchio e aver compreso i possibili rischi. I bambini non devono giocare con l'apparecchio. I bambini non devono eseguire interventi di manutenzione e pulizia in assenza di idonea supervisione.
  - Questo apparecchio è destinato a un uso esclusivamente domestico e deve essere utilizzato soltanto per gli scopi previsti.
- Note:
    - In caso di qualsiasi tipo di danno, scollegare l'alimentazione elettrica e contattare il rivenditore o un centro di assistenza specializzato.
    - La presa elettrica a cui collegare il cavo di alimentazione deve essere sempre correttamente collegata a terra.
    - Per evitare pericoli, se il cavo di alimentazione è danneggiato, scollegare l'alimentazione elettrica. Il cavo di alimentazione deve essere sostituito dal rivenditore o da un centro di assistenza specializzato.

**Avvertenza**

- Utilizzare esclusivamente il processo di sbrinamento e pulizia consigliato dal produttore. Non accelerare in nessun altro modo il processo di sbrinamento o di pulizia.
- L'apparecchio deve essere riposto in un locale in cui non vi sia la presenza costante di fonti di ignizione (ad esempio: fiamme libere, un apparecchio a gas o un riscaldatore elettrico in funzione).
- Non perforare e non incendiare.

- Tenere presente che i gas refrigeranti potrebbero non essere addizionati con sostanze odorizzanti.
- L'apparecchio deve essere installato, utilizzato e riposto in un locale di superficie superiore a X m<sup>2</sup>. (X=4 per 5000 BTU/ora, 7000 BTU/ora, 8000 BTU/ora; X=7,7 per 9000 BTU/ora. 10000 BTU/ora, 10500 BTU/ora)
- Per la riparazione o la manutenzione di questo apparecchio, contattare esclusivamente un tecnico dell'assistenza autorizzato.
- Non tirare, deformare o modificare il cavo di alimentazione, né immergerlo in acqua. La trazione o l'uso improprio del cavo di alimentazione può causare danni all'apparecchio ed esporre al pericolo di folgorazione.
- La conformità alle normative nazionali in materia di gas deve essere osservata.
- Tenere le aperture di ventilazione libere da ostruzioni.
- Chiunque effettui interventi sul circuito del refrigerante, inclusa la sua apertura, deve essere in possesso di un certificato in corso di validità rilasciato da un'autorità accreditata

del settore, che ne autorizza la competenza a manipolare i refrigeranti in modo sicuro e in conformità con le specifiche normative in vigore.

- La manutenzione deve essere eseguita solo secondo le raccomandazioni del produttore dell'apparecchio. La manutenzione e le riparazioni che richiedono l'assistenza di altro personale qualificato devono essere effettuate sotto la supervisione di un operatore autorizzato all'uso di refrigeranti infiammabili.
- Non spegnere l'apparecchio scollegando la spina di alimentazione mentre l'apparecchio è in funzione, poiché si potrebbe incorrere nel rischio di folgorazione o di causare un incendio a causa di surriscaldamento, a meno che l'apparecchio non emetta rumori od odori inconsueti o fumo.



Informazioni specifiche per gli apparecchi contenenti gas refrigerante R290.

- Leggere attentamente tutte le avvertenze.
  - Per lo sbrinamento e la pulizia dell'apparecchio, non utilizzare attrezzi diversi da quelli raccomandati dall'azienda produttrice.
  - L'apparecchio non deve essere riposto in locali in cui vi sia la presenza costante di fonti di ignizione (ad esempio: fiamme libere, un apparecchio a gas o un riscaldatore elettrico in funzione).
  - Non forare e non incendiare.
  - L'apparecchio deve essere installato, utilizzato e riposto in un locale di superficie superiore a X m<sup>2</sup>. (X=4 per 5000 BTU/ora, 7000 BTU/ora, 8000 BTU/ora; X=7,7 per 9000 BTU/ora. 10000 BTU/ora, 10500 BTU/ora)
  - Questo apparecchio contiene Y g (vedere la targhetta identificativa dell'apparecchio) di gas refrigerante R290.
  - R290 è un gas refrigerante conforme alle direttive europee sull'ambiente. Non forare alcuna porzione del circuito del refrigerante.
- Se l'apparecchio è installato, è in funzione o è stato riposto in un locale non ventilato, tale locale deve essere progettato in modo da evitare l'accumulo di perdite di refrigerante, che potrebbero infiammarsi in presenza di riscaldatori elettrici, stufe o altre fonti di ignizione, causando incendi o esplosioni.
  - L'apparecchio deve essere riposto in modo da evitare guasti meccanici.
  - Chiunque effettui interventi di installazione, riparazione, ricerca perdite e manutenzione di impianti contenenti gas refrigeranti deve essere in possesso di un certificato in corso di validità rilasciato da un'autorità accreditata del settore.
  - Le riparazioni devono essere eseguite secondo le raccomandazioni dell'azienda produttrice. La manutenzione e le riparazioni che richiedono l'assistenza di altro personale qualificato devono essere effettuate sotto la supervisione dell'operatore autorizzato all'uso di refrigeranti infiammabili.

#### Batterie

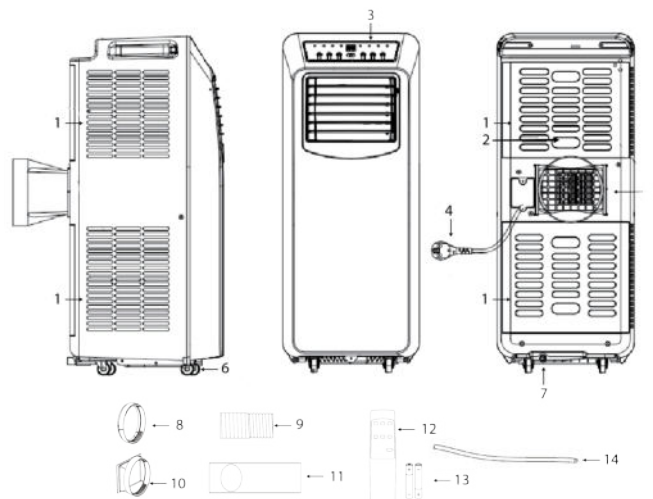
- Non esporre la batteria a temperature elevate o alla luce solare diretta. Non gettare mai le batterie nel fuoco. C'è il rischio che esplodano!
- Tenere le batterie lontane dalla portata dei bambini. Le batterie non sono un giocattolo!
- Non aprire le batterie con la forza.
- Evitare il contatto con oggetti metallici. (anelli, chiodi, viti, ecc.) C'è il rischio di un cortocircuito!
- In seguito a un cortocircuito, le batterie possono surriscaldarsi o addirittura incendiarsi. ne possono conseguire ustioni.
- Per la vostra sicurezza, i poli delle batterie devono essere coperti con strisce adesive durante il trasporto.
- Non toccare una batteria danneggiata o che presenta fuoriuscite. Se il liquido della batteria entra in contatto con gli occhi, sciacquarli il prima possibile con acqua pulita, senza strofinarli. Recarsi immediatamente in ospedale. Senza trattamento adeguato, potrebbe causare problemi agli occhi.
- Non ingerire la batteria, c'è il rischio di ustioni chimiche;
- Questo prodotto contiene una batteria a bottone. Se la batteria a bottone viene ingerita, può causare gravi ustioni interne in sole 2 ore, portando alla morte.
- Se il vano batterie non può essere chiuso correttamente, interrompere l'uso del prodotto e tenerlo fuori dalla portata dei bambini.
- Qualora le batterie fossero state ingerite o introdotte in altre parti del corpo, rivolgersi immediatamente a un medico.
- Le batterie contengono materiali nocivi per l'ambiente; devono essere rimosse dall'apparecchio prima della rottamazione e smaltite in modo sicuro.

#### **Refrigerante**

(CE) N 842/2006: Questo Unità contiene il refrigerante R290. La quantità di refrigerante è inferiore a 1 kg e si trova in un circuito di raffreddamento sigillato. Il refrigerante ha un potenziale di riduzione dell'ozono pari a zero, ma è un cosiddetto gas serra ai sensi del protocollo di Kyoto e può quindi contribuire al riscaldamento globale, se viene rilasciato nell'atmosfera. Pertanto, solo tecnici addestrati e in possesso di Certificazione di tecnici del freddo o, come comunemente denominato, di Patentino Frigoristi, possono eseguire il riempimento o lo svuotamento del circuito. L'apparecchio non richiede il rabbocco del refrigerante se usato correttamente e se il circuito del refrigerante è integro. GWP: R290: 3

## DESCRIZIONE DELLE PARTI

|                          |  |
|--------------------------|--|
| 1. Presa d'aria          | 8. Connettore del tubo flessibile (estremità della finestra)             |
| 2. Filtro dell'aria      | 9. Tubo di scarico dell'aria calda                                       |
| 3. Pannello di controllo | 10. Connettore del tubo flessibile (estremità del condizionatore d'aria) |
| 4. Cavo di alimentazione | 11. Kit cursore per finestre + tasselli di fissaggio                     |
| 5. Uscita d'aria         | 12. Telecomando  |
| 6. Ruota                 | 13. Batterie   |
| 7. Foro di scarico       | 14. Tubo di scarico  |

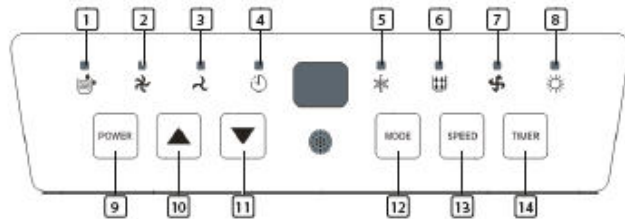


## FUNZIONE DEL PANNELLO COMANDI

|                                  |  |
|----------------------------------|--|
| 1. Indicatore serbatoio pieno    | 8. Indicatore riscaldamento            |
| 2. Indicatore ventilazione alta  | 9. Pulsante di accensione/ spegnimento |
| 3. Indicatore ventilazione bassa | 10. Tasto temperatura +                |
| 4. Indicatore timer              | 11. Tasto temperatura -                |
| 5. Indicatore raffreddamento     | 12. Tasto modalità                     |
| 6. Indicatore deumidificatore    | 13. Tasto regolazione velocità ventola |

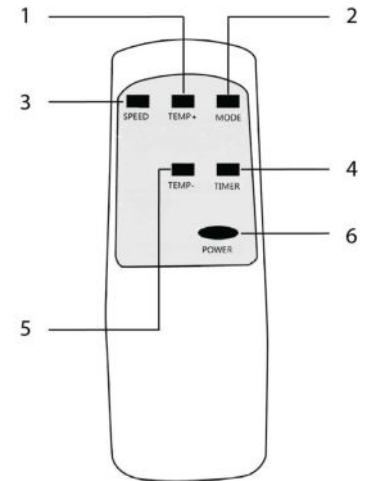
7. Indicatore ventilazione

14. Tasto timer accensione/  
spegnimento



#### TELECOMANDO

1. Tasto aumento temperatura
2. Tasto modalità
3. Tasto regolazione velocità ventola
4. Tasto timer (on/off)
5. Tasto diminuzione temperatura
6. Pulsante di alimentazione (on/off)

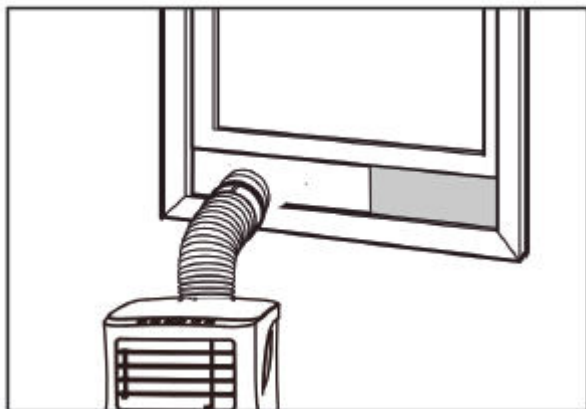


#### PRIMA DEL PRIMO UTILIZZO

**Prima di eseguire le operazioni di questa sezione:**

- Individuare un luogo in cui l'alimentazione elettrica sia nelle immediate vicinanze.
- Installare il tubo di scarico e regolare la posizione della finestra.
- Le piccole clip bianche in dotazione devono essere montate sul kit per finestra.





- Inserire il cavo di alimentazione in una presa AC 220~240 V/50 Hz dotata di messa a terra.
- Premere il pulsante di accensione POWER per accendere il condizionatore d'aria.
- Impostare la temperatura: 16 °C – 31 °C.
- Controllare che il tubo di scarico sia stato montato correttamente.
- Quando si utilizzano le funzioni di raffreddamento, riscaldamento e deumidificazione, attendere almeno 3 minuti tra lo spegnimento e l'accensione.

## USO

### Raffreddamento

- Premere il tasto "Modalità" finché non appare l'icona di "Raffreddamento".

- Premere il tasto ▲ o ▼ per selezionare la temperatura ambiente desiderata.
- La funzione raffreddamento si avvia dopo 5 minuti.
- Premere il tasto "SPEED" per regolare il flusso d'aria.

### Deumidificazione

- Premere il tasto modalità "MODE" fino a quando la spia "DEHUM" lampeggia.
- La temperatura viene selezionata automaticamente.
- La velocità della ventola viene selezionata automaticamente.

### Riscaldamento

- Premere il tasto "modalità" finché non appare l'icona "Riscaldamento".
- Premere il tasto ▲ o ▼ per selezionare la temperatura ambiente desiderata.
- La funzione riscaldamento si avvia dopo 5 minuti.
- Premere il tasto "SPEED" per regolare il flusso d'aria.

### Timer

#### Timer di accensione

- Quando il condizionatore d'aria è spento, premere il tasto "Timer", selezionare l'ora di accensione desiderata e regolare con i tasti di temperatura.
- L'ora di accensione può essere regolata liberamente tra 0 e 24 ore.

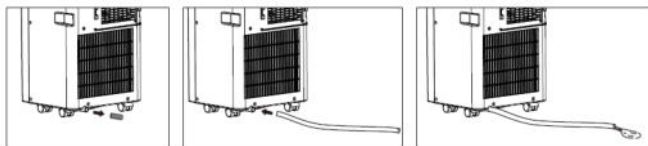
#### Timer di spegnimento

- Quando il condizionatore d'aria è acceso, premere il tasto "Timer", selezionare l'ora di spegnimento con i tasti di temperatura.

- L'ora di spegnimento può essere regolata liberamente tra 0 e 24 ore.

#### Scarico acqua

- Dopo un utilizzo prolungato e prima di riporre l'apparecchio, è necessario scaricare l'acqua raccolta. Preparare un luogo o un vassoio adatto a raccogliere l'acqua e rimuovere il tappo in gomma dal foro di scarico sul fondo dell'apparecchio. L'acqua inizierà a defluire. Al termine, reinstallare il tappo di scarico.
- È possibile collegare un tubo di scarico che consenta lo scarico continuo dell'acqua. Rimuovere il fermo in gomma e collegare un tubo flessibile adatto. Questo tubo deve essere diretto all'esterno o in uno scarico adeguato. Tenete presente che l'acqua scorrerà verso il basso e mai verso l'alto.

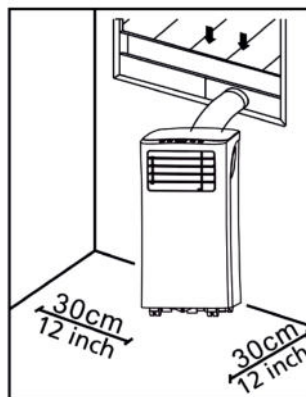


#### Allarme per serbatoio acqua pieno

- Il serbatoio interno del condizionatore d'aria è dotato di un interruttore di sicurezza che controlla il livello dell'acqua. Quando il livello dell'acqua raggiunge l'altezza prevista, si accende la spia di serbatoio pieno. Seguire i passaggi descritti sopra per scaricare l'acqua.

## INSTALLAZIONE

- Il condizionatore deve essere installato su una superficie piana e stabile. Non ostruire l'uscita dell'aria e lasciare almeno 30 cm intorno all'unità.

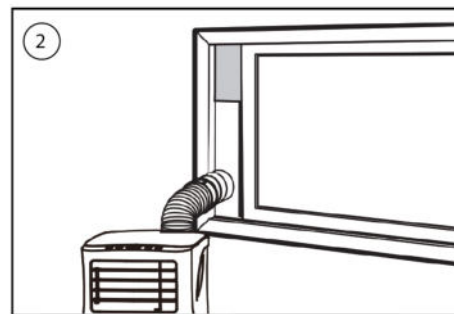
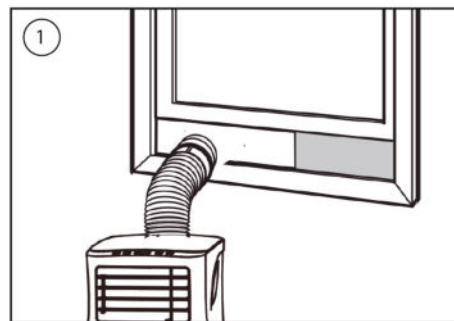
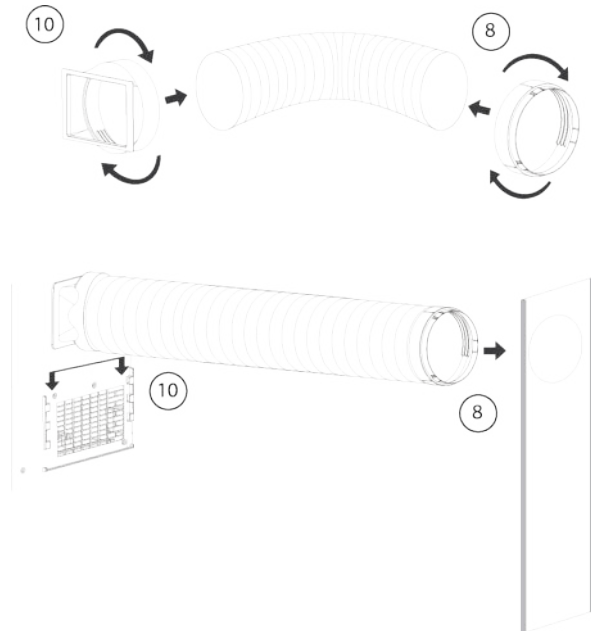


- Il cablaggio delle prese deve essere conforme alle normative locali in materia di sicurezza elettrica.

#### Installazione del tubo di scarico

- Avvitare entrambe le estremità del tubo flessibile di scarico dell'aria calda (9) nell'estremità del connettore del tubo flessibile della finestra (8) e nell'estremità del connettore del tubo flessibile del condizionatore d'aria (10).
- Inserire l'estremità del connettore del tubo flessibile per l'aria condizionata (10) nelle aperture sul retro del condizionatore d'aria.

- Fissare l'estremità della finestra del connettore del tubo flessibile (8) al davanzale più vicino.



#### Installazione del kit di scorrimento della finestra

- Regolare la larghezza (figura 1) o l'altezza (figura 2) del cursore per finestre (11) in base all'apertura della finestra e fissare la posizione del cursore per finestre (11) con i tasselli di fissaggio.
- Far scorrere la finestra fino al cursore.

## PULIZIA E MANUTENZIONE

- Prima della pulizia, assicurarsi di scollegare l'apparecchio dalla presa elettrica.
- Pulire prima la superficie esterna con un detergente neutro e un panno umido, poi passare un panno asciutto.
- Non utilizzare benzina o altri prodotti chimici per pulire l'apparecchio.
- Non lavare l'apparecchio direttamente sotto l'acqua.

### Filtro dell'aria

- Il filtro dell'aria deve essere pulito una volta ogni due settimane.
- Aprire la griglia della presa d'aria ed estrarre il filtro dell'aria.
- Pulire il filtro dell'aria con un detergente neutro in acqua tiepida a 40 °C e lasciare asciugare (non alla luce diretta del sole).
- Rimontare il filtro dell'aria nella griglia della presa d'aria.

## RISOLUZIONE DEI PROBLEMI

| Problemi | Possibili cause | Rimedi suggeriti |
|----------|-----------------|------------------|
|----------|-----------------|------------------|

|   |   |  |
|---|---|--|
| L'apparecchio non si avvia quando si preme il pulsante di accensione. | <ul style="list-style-type: none"> <li>• La spia del serbatoio pieno lampeggia e il serbatoio dell'acqua è pieno.</li> <li>• La temperatura ambiente è superiore alla temperatura impostata. (Modalità riscaldamento elettrico)</li> <li>• La temperatura ambiente è inferiore alla temperatura impostata. (Modalità raffreddamento)</li> </ul> | <ul style="list-style-type: none"> <li>• Svuotare il serbatoio dell'acqua.</li> <li>• Regolare la temperatura.</li> </ul>  |
| L'apparecchio non raffredda abbastanza.                               | <ul style="list-style-type: none"> <li>• Le porte o le finestre non sono chiuse.</li> <li>• Ci sono fonti di calore all'interno della stanza.</li> <li>• Il tubo di scarico dell'aria calda non è collegato o bloccato.</li> <li>• La temperatura impostata è troppo alta.</li> <li>• La presa d'aria è ostruita.</li> </ul>                    | <ul style="list-style-type: none"> <li>• Assicurarsi che tutte le finestre e le porte e finestre siano chiuse.</li> <li>• Eliminare le fonti di calore, se possibile.</li> <li>• Collegare o pulire il tubo di scarico dell'aria calda.</li> <li>• Reimpostare la temperatura.</li> <li>• Pulire la presa d'aria.</li> </ul> |

|   |  |   |
|---|--|---|
| Spegnimento automatico in modalità riscaldamento. | <ul style="list-style-type: none"> <li>Protezione surriscaldamento: quando la temperatura dell'aria di scarico supera i 70 gradi, l'apparecchio si spegne automaticamente.</li> </ul>          | <ul style="list-style-type: none"> <li>Lasciare raffreddare a temperatura ambiente prima di riavviare l'apparecchio.</li> </ul> |
| Apparecchio rumoroso                              | <ul style="list-style-type: none"> <li>Il terreno non è sufficientemente livellato.</li> <li>Il rumore è causato dal flusso del refrigerante all'interno del condizionatore d'aria.</li> </ul> | <ul style="list-style-type: none"> <li>Se possibile, posizionare l'apparecchio su una superficie piana e livellata.</li> </ul>  |
| Codice E0.  | <ul style="list-style-type: none"> <li>Sensore di temperatura ambiente guasto.</li> </ul>  | <ul style="list-style-type: none"> <li>Sostituire il sensore di temperatura ambiente.</li> </ul>                                |
| Codice E2/E4.                                     | <ul style="list-style-type: none"> <li>Serbatoio dell'acqua pieno.</li> </ul>  | <ul style="list-style-type: none"> <li>Svuotare il serbatoio dell'acqua.</li> </ul>   |

## TABELLA AC-5560

|  |                |               |              |
|--|----------------|---------------|--------------|
| Requisiti informativi per i condizionatori d'aria a singolo e doppio condotto              |                |               | P            |
| Informazioni per identificare il modello o i modelli a cui si riferiscono le informazioni: |                |               |              |
| <b>Descrizione</b>   | <b>Simbolo</b> | <b>Valore</b> | <b>Unità</b> |
| Capacità nominale di raffreddamento  | Valutate       | 2,9           | kW           |
| Capacità nominale di riscaldamento   | Valutate       | 2,7           | kW           |
| Potenza nominale assorbita per il raffreddamento   | Pari           | 1,115         | kW           |
| Potenza nominale assorbita per il riscaldamento  | Pcop           | 1,173         | kW           |
| Consumo di energia in modalità termostato-off  | Pto            | N/A           | W            |
| Consumo di energia in modalità standby   | Psb            | 0,5           | W            |
| Consumo di energia da spento   | Poff           | N/A           | W            |
| Consumo di energia in modalità riscaldamento del carter                                    | Pck            | N/A           | W            |
| Informazioni per identificare il modello o i modelli a cui si riferiscono le informazioni: |                |               |              |
| <b>Descrizione</b>   | <b>Simbolo</b> | <b>Valore</b> | <b>Unità</b> |

IT

|   |              |  |       |
|---|--------------|--|-------|
| Rapporto di efficienza energetica nominale  | EERrated     | 2,60   |       |
| Coefficiente di prestazione nominale  | Valutato COP | 2,3  |       |
| Consumo di elettricità degli apparecchi a singolo/doppio condotto (indicare separatamente per il raffreddamento e il riscaldamento) | Qsd          | SD: 1,15 (raffreddamento)<br>SD: 1.173 (Riscaldamento) | kWh/h |
| Consumo di energia elettrica dell'apparecchio a doppio condotto   | Qdd          | N/A  | kWh/h |
| Livello di potenza acustica   | Lwa          | 65   | dB(A) |

## IL PRODOTTO O L'APPARECCHIATURA CONTIENE GAS FLUORURATI AD EFFETTO SERRA.

|                                      |         |
|--------------------------------------|---------|
| Art. n.                              | AC-5560 |
| Refrigerante:                        | R290    |
| Quantità in kg:                      | 0,215   |
| Potenziale di riscaldamento globale: | 3       |
| CO2 Equivalente in tonnellate:       | 0,0007  |

## AMBIENTE



Questo apparecchio non deve essere smaltito con i rifiuti domestici al termine del suo ciclo di vita, ma deve essere conferito presso i punti di raccolta per il riciclo di apparecchi elettrici ed elettronici per uso domestico. Questo simbolo sull'apparecchio, sul manuale di istruzioni e sull'imballaggio pone l'attenzione su questa importante questione ambientale. I materiali utilizzati in questo apparecchio possono essere riciclati. Il riciclo degli elettrodomestici usati è un importante contributo alla protezione del nostro ambiente. Contattare le autorità locali per informazioni riguardanti il punto di raccolta locale.

La direttiva europea per le batterie (2006/66/CE) stabilisce che non è consentito gettare le batterie nei rifiuti domestici. Possono contenere sostanze dannose per l'ambiente. Le batterie scariche possono essere conferite negli appositi punti di raccolta o presso la piattaforma ecologica locale. Per evitare il surriscaldamento dovuto ad un cortocircuito, le batterie al litio devono essere rimosse dal prodotto e i poli devono essere protetti con nastro isolante o altri mezzi per prevenire cortocircuiti.

Tutte le informazioni e le parti di ricambio sono disponibili sul sito [www.tristar.eu!](http://www.tristar.eu!)

## SÄKERHET

- Läs användarmanualen noggrant för att säkerställa korrekt användning, underhåll och installation.
- Om dessa säkerhetsanvisningar ignoreras kan inget ansvar utkrävas av tillverkaren för eventuella skador som uppkommer.
- Apparatens är endast för inomhusbruk.
- Anslut inte enheten till ett uttag som är trasigt eller som inte installerats på rätt sätt.
- Använd inte enheten
  - i närheten av en brandkälla.
  - i ett område där det kan skvätta olja.
  - i ett område med direkt solljus.
  - i ett område där det kan skvätta vatten.
  - i närheten av ett badkar, en dusch eller en pool.
- För aldrig in dina fingrar eller objekt i luftutloppet. Var extra varsam och varna barn om dessa faror.
- Ha enheten upprätt under transport och förvaring.
- Stäng alltid av eller koppla bort enhetens strömförsörjning före rengöring.
- Stäng alltid av eller koppla bort strömförsörjningen före förflyttning.



- **WARNING!** För att undvika risk för brand ska enheten inte täckas över.
- Alla uttag måste uppfylla lokala elsäkerhetskrav. Kontrollera vid behov.
- Om nätsladden är skadad måste den bytas ut av tillverkaren, dess servicerepresentant eller liknande kvalificerade personer för att undvika fara.

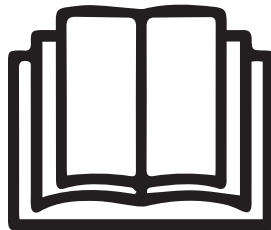
SV

- Om strömkabeln är skadad måste den bytas ut av tillverkaren, dess servicerepresentant eller motsvarande kvalificerade personer för att undvika fara.
- Apparaten kan användas av barn från och med 8 års ålder och av personer med ett fysiskt, sensoriskt eller mentalt handikapp eller brist på erfarenhet och kunskap, om de övervakas eller instrueras om hur apparaten ska användas på ett säkert sätt och förstår de risker som kan uppkomma. Barn får inte leka med apparaten. Rengöring och underhåll ska inte utföras av barn utan överinseende av vuxen.
- Denna apparat får endast användas för hushållsändamål och endast för det syfte den är konstruerad för.
- Obs!
  - Om skador uppstått ska du koppla bort strömförsörjningen och kontakta återförsäljaren eller en reparatör.
  - Strömkabeln ska alltid vara jordad.
  - Koppla bort strömförsörjningen om strömkabeln skadas för att undvika risk för fara. Den måste bytas ut av återförsäljaren eller en reparatör.
- Använd endast tillverkarens rekommenderade process för avfrostning och rengöring. Försök inte att skynda på avfrostnings- eller rengöringsprocessen på något sätt.
- Apparaten ska förvaras i ett rum utan antändningskällor (exempelvis öppen eld, gasapparater eller elektriska värmare i bruk).
- Gör inte hål i eller bränn den.
- Var medveten om att köldmedium ska vara doftfria.
- Apparaten ska installeras, användas och förvaras i ett utrymme som är större än X m<sup>2</sup>. (X=4 för 5 000 BTU/h, 7 000 BTU/h, 8 000 BTU/h; X=7,7 för 9 000 BTU/h, 10 000 BTU/h, 10 500 BTU/h)
- Kontakta enbart auktoriserade servicetekniker för reparation eller underhåll av enheten.
- Dra inte i, deformera eller modifiera strömkabeln och sänk heller inte ned den i vatten. Att dra i eller felaktigt använda strömkabeln kan leda till skador på enheten och elstötar.
- Nationella gasföreskrifter ska följas.
- Håll ventilationsöppningar fria från hinder.

**Varning**



- Alla som arbetar med eller öppnar en kylkrets ska ha aktuella gällande certifikat från en ackrediterad branschbedömningsmyndighet som autentiserar deras kompetens i att hantera köldmedium på ett säkert sätt och i enlighet med gällande bedömnings-specifikationer inom branschen.
- Service ska endast utföras så som tillverkaren av utrustningen rekommenderar. Underhåll och reparationer som kräver hjälp från övriga fackkunniga ska utföras under övervakning från person(-er) som har kompetens inom användningen av brandfarliga köldmedium.
- Stäng inte av enheten genom att dra ut kontakten under användning, såvida den inte avger onormala ljud eller rök, eftersom det kan leda till elstötar eller brand på grund av värmealstring.



Specifik information som rör apparater med köldmedium R 290.

- Läs noggrant igenom alla varningar.
- Vid avfrostning och rengöring av apparaten ska inga verktyg användas utöver de som tillverkaren rekommenderar.
- Apparaten ska inte förvaras i ett rum med antändningskällor (exempelvis öppen eld, gasapparater eller elektriska värmare i bruk).
- Gör inte hål i eller bränn apparaten.
- Apparaten ska installeras, användas och förvaras i ett utrymme som är större än X m<sup>2</sup>. (X=4 för 5 000 BTU/h, 7 000 BTU/h, 8 000 BTU/h; X=7,7 för 9 000 BTU/h, 10 000 BTU/h, 10 500 BTU/h)
- Apparaten innehåller Y g av köldmedium R290 (se klassificeringsetiketten på enhetens baksida).
- R290 är ett köldmedium som överensstämmer med de europeiska miljödirektiven. Gör inte hål i någon del av kylkretsen.
- Om apparaten installeras, används eller förvaras på en plats utan ventilation måste rummet vara utformat för att förhindra ackumulering av köldmediumläckage som kan leda till brand- eller explosionsrisker

---

 SV

eftersom köldmedium kan antändas av eluppvärmning, spisar eller andra brandkällor.

- Apparaten måste förvaras på ett sätt som förhindrar maskinfel.
- Personer som använder eller arbetar med kylkretsen måste ha giltig certifiering som utfärdats av en ackrediterad organisation som säkerställer att kompetens upprätthålls vid hantering av köldmedium i enlighet med en specifik utvärdering som är erkänd av föreningar inom branschen.
- Reparationer måste utformas baserat på de rekommendationer som kommer från tillverkaren. Underhåll och reparationer som kräver hjälp från övriga kvalificerade ska utföras under övervakning från någon som är specialiserad inom användningen av brandfarliga köldmedium.

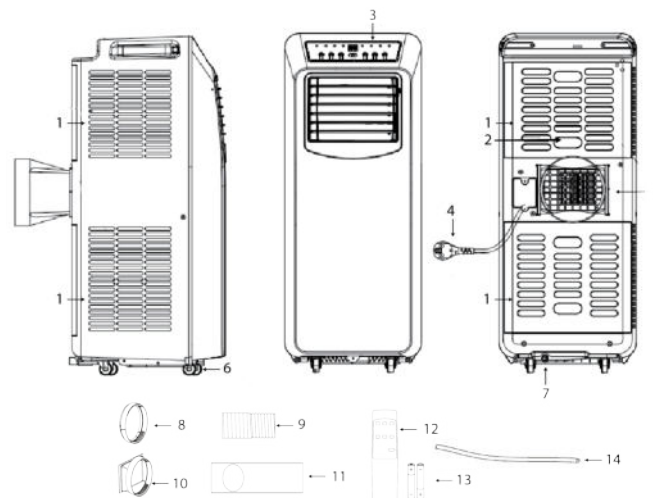
#### Batterier

- Exponera inte batteriet för höga temperaturer eller eld. Kasta aldrig batterier i elden. Det finns risk för explosion!
- Håll batterier borta från barn. Batterier är ingen leksak!
- Öppna inte batterierna med våld.
- Undvik kontakt med metallföremål. (Ringar, spikar, skruvar etc.) det finns risk för kortslutning!
- Som ett resultat av en kortslutning kan batterier värmas upp kraftigt eller till och med fatta eld. Detta kan leda till brännskador.
- För din säkerhet bör batteripolerna täckas med självhäftande remsor under transport.
- Rör inte vid ett sprucket och/eller läckande batteri. Om vätskan från batteriet kommer in i dina ögon, skölj ögonen så snart som möjligt med rent vatten, utan att gnugga ögonen. Åk genast till sjukhuset. Om det inte behandlas på rätt sätt kan det orsaka ögonproblem.
- Batteriet får inte förtäras, risk för kemisk brännskada;
- Denna produkt innehåller ett mynt-/knappcells batteri. Om mynt-/knappcells batteriet sväljs kan det orsaka svåra inre brännskador på bara 2 timmar och kan leda till döden.
- Om batterifacket inte stängs ordentligt, sluta använda produkten och förvara den utom räckhåll för barn.

- Om du tror att batterier kan ha svalt eller hamnat i någon del av kroppen, kontakta sjukvården omedelbart.
- Batterierna innehåller material som är farliga för miljön; de måste avlägsnas från apparaten innan den kastas och de ska bortskaffas på ett säkert sätt.

#### Köldmedium

(CE) N 842/2006: Enheter innehåller köldmedium R290. Mängden köldmedium är mindre än 1 kg och finns i en stängd kylkrets. Kylmedlet har potential för nedbrytning av ozonskiktet, men är en så kallad växthusgas enligt Kyotoprotokollet och kan därför bidra till global uppvärmning om den frigörs i atmosfären. Därför ska enbart utbildade tekniker med köldmediumcertifikat fylla på eller tömma ut. Apparaten behöver inte fyllas på med köldmedium om den används korrekt och har en hel kylkrets. GWP: R290: 3



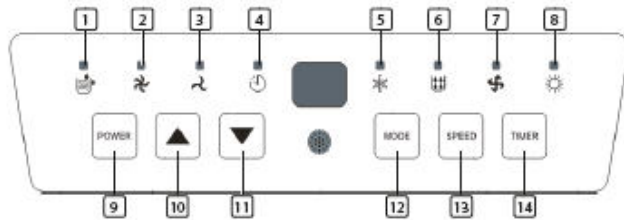
## BESKRIVNING AV DELAR

|                  |  |
|------------------|--|
| 1. Luftintag     | 8. Slangkoppling (fönsterände)                   |
| 2. Luftfilter    | 9. Utloppslang för varmluft                      |
| 3. Kontrollpanel | 10. Slanganslutning (luftkonditioneringens ände) |
| 4. Strömssladd   | 11. Sats för fönsterreglage + fästpluggar        |
| 5. Luftuttag     | 12. Fjärrkontroll                                |
| 6. Hjul          | 13. Batterier                                    |
| 7. Dräneringshål | 14. Dräneringsslang                              |

## KONTROLLPANELENS FUNKTIONER

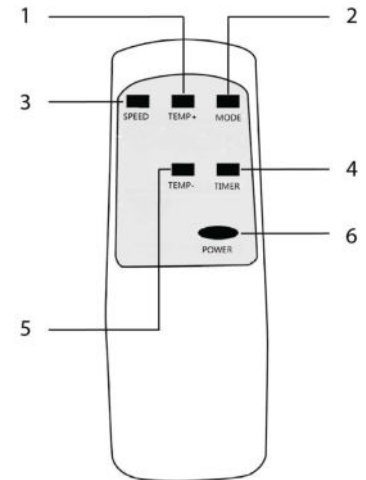
|                                  |                              |
|----------------------------------|------------------------------|
| 1. Indikator för full vattentank | 8. Värmeindikator            |
| 2. Indikator för hög ventilation | 9. På/av-knapp               |
| 3. Indikator för låg ventilation | 10. Temperatur + knapp       |
| 4. Timerindikator                | 11. Temperatur – knapp       |
| 5. Sval indikator                | 12. Lägesknapp               |
| 6. Avfuktighetsindikator         | 13. Knapp för fläkthastighet |
| 7. Fläktindikator                | 14. Timerknapp (på/av)       |

SV



### FJÄRRKONTROLL

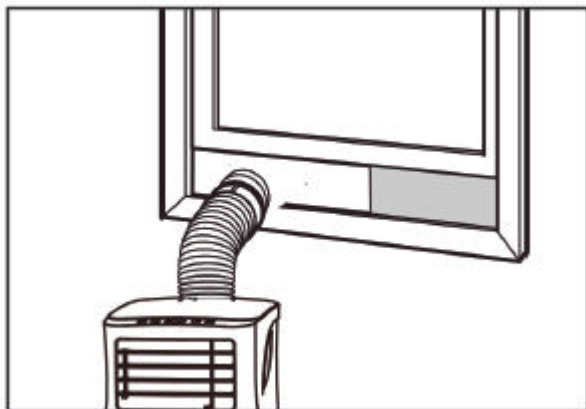
1. Temperatur upp-knapp (TEMP +)
2. Lägesknapp (Mode)
3. Knapp för fläkthastighet (SPEED)
4. Timerknapp (på/av) (TIMER)
5. Temperatur ner-knapp (TEMP -)
6. Strömbrytare (på/av)



### INNAN DEN ANVÄNDS FÖRSTA GÅNGEN

#### Före användning:

- Leta upp en plats i närheten av en strömkälla.
- Montera utloppsslangen och anpassa positionen vid fönstret.
- De små vita klämmorna som medföljer måste monteras på fönstersatsen.



- Anslut strömkabeln till ett jordat uttag (AC220~240V/50Hz).
- Tryck på strömbrytaren för att slå på luftkonditioneringen.
- Ställ in temperaturintervallet: 16–31 °C.
- Kontrollera att utloppsslangen är korrekt monterad.
- Låt det gå minst 3 minuter mellan det att du slår av enheten och slår på den igen när du använder kyl-, värme- och avfuktningfunktionen.

## ANVÄNDNING

### Kylning

- Tryck på lägesknappen tills Cool-symbolen visas.
- Tryck på ▲ eller ▼ för att välja önskad rumstemperatur
- Vänta runt 5 minuter tills kylningen startar.
- Tryck på knappen för fläkthastighet för att anpassa luftflödet.

### Avfuktning

- Tryck på lägesknappen tills indikatorlampan för avfuktning blinkar.
- Temperaturen väljs automatiskt.
- Fläkthastigheten väljs automatiskt.

### Värme

- Tryck på lägesknappen tills värmesymbolen visas.
- Tryck på ▲ eller ▼ för att välja önskad rumstemperatur
- Vänta runt 5 minuter tills uppvärmningen startar.
- Tryck på knappen för fläkthastighet för att anpassa luftflödet.

### Timeranvändning

#### Timer PÅ-inställning

- Tryck på timerknappen när luftkonditioneringen är AV och välj när den ska slås på (med temperaturknapparna).
- Tiden kan ställas in på mellan 0–24 timmar.

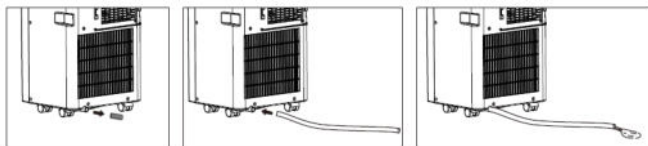
#### Timer AV-inställning

- Tryck på timerknappen när luftkonditioneringen är PÅ och välj när den ska stängas av (med temperaturknapparna).
- Tiden kan ställas in på mellan 0–24 timmar.

### Tömning

- Efter långvarig användning och förvaring måste du tömma ut uppsamlat vatten. Förbered en lämplig plats eller bricka för att samla upp vatten och ta bort gummistoppet från tömningshålet i botten av enheten. Vattnet börjar tömmas ut. När vattnet har tömts ut kan du sätta i stoppet igen.

- Du kan ansluta en dräneringsslang som tillåter kontinuerlig dränering av vattnet. Ta bort gummistoppet och anslut en lämplig slang. Denna slang måste ledas utomhus eller till ett lämpligt avlopp. Tänk på att vattnet kommer att strömma nedåt och aldrig uppåt.

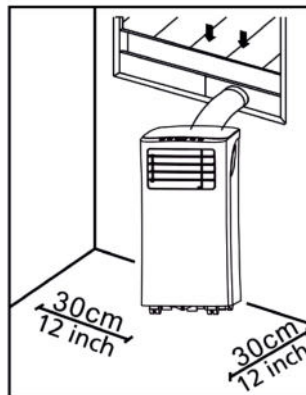


### Larmfunktion för full inbyggd vattentank

- Den invändiga vattentanken i luftkonditioneringen har en säkerhetsbrytare som reglerar vattennivån. När vattnet når upp till en förväntad höjd tänds indikatorlampan för full behållare. Följ stegen ovan för att tömma vattnet.

## INSTALLATION

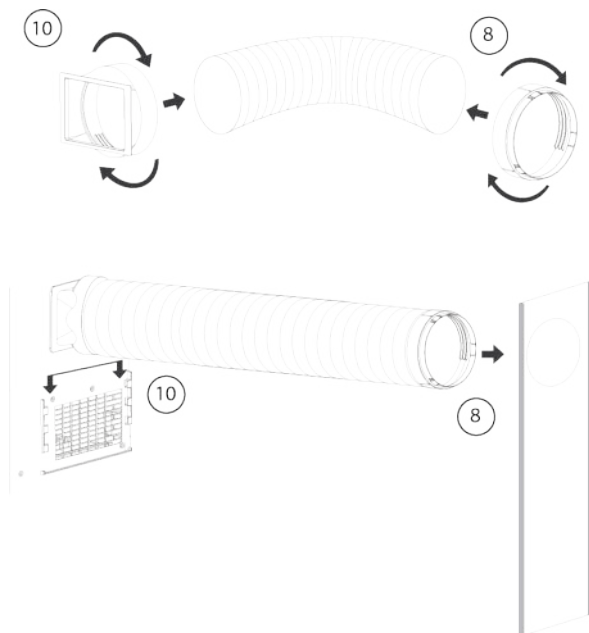
- Luftkonditioneringen bör installeras på en plan och stabil yta. Blockera inte luftutloppet och låt det vara minst 30 cm utrymme runt enheten.



- Uttagsledningar bör vara i enlighet med lokala elsäkerhetskrav.

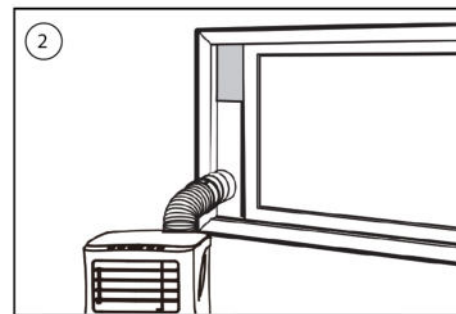
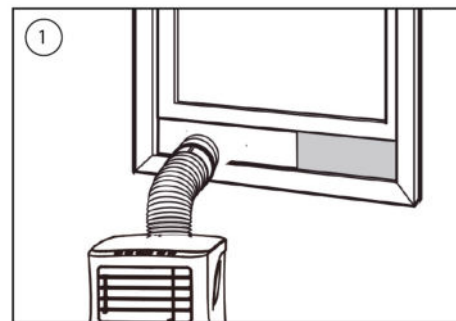
### Installation av utloppsslang

- Vrid båda ändarna av varmluftsutloppsslangen (9) in i slanganslutningens fönsterände (8) och slanganslutningens luftkonditioneringsände (10).
- För in slanganslutningens luftkonditionerade ände (10) i öppningarna på luftkonditioneringens baksida.
- Fäst slanganslutningens fönsterände (8) till närmaste fönsterbräda.



#### Installation av sats för fönsterreglage

- Justera bredden (bild 1) eller höjden (bild 2) på fönsterreglaget (11) för att passa fönsteröppningen och fixera fönstrets skjutreglage (11) med fästpluggarna.
- Skjut upp fönstret till reglaget.



SV

## RENGÖRINGSUNDERHÅLL

- Innan du rengör enheten ska du se till att den har kopplats bort från elnätet.
- Rengör först ytan med ett neutralt rengöringsmedel och en våt trasa och torka sedan av den med en torr trasa.
- Använd inte bensin eller andra kemikalier för att rengöra enheten.
- Rengör inte enheten direkt.

### Luftfilter

- Rengör luftfiltret en gång varannan vecka.
- Öppna inloppsgallret och ta bort luftfiltret.
- Rengör luftfiltret med ett neutralt rengöringsmedel i varmt vatten (40 °C) och låt torka (ej i direkt solljus).
- Sätt tillbaka luftfiltret.

## FELSÖKNING

| Problem | Möjliga orsaker | Förslag på åtgärd |
|---------|-----------------|-------------------|
|---------|-----------------|-------------------|

|  |  |   |
|--|--|---|
| Enheten startar inte när man trycker på strömbrytaren. | <ul style="list-style-type: none"> <li>• Indikatorlampan för full vattentank blinkar och vattentanken är full.</li> <li>• Rumstemperaturen är högre än den inställda temperaturen (uppvärmningsläge).</li> <li>• Rumstemperaturen är lägre än den inställda temperaturen (kylningsläge).</li> </ul>  | <ul style="list-style-type: none"> <li>• Töm enhetens vattentank.</li> <li>• Justera temperaturen.</li> </ul>   |
| Enheten kyler inte tillräckligt.                       | <ul style="list-style-type: none"> <li>• Dörrar och fönster har inte stängts.</li> <li>• Det finns värmekällor i rummet.</li> <li>• Utloppsslangen för varmluft är inte ansluten eller är blockerad.</li> <li>• Temperaturinställningen är för hög.</li> <li>• Luftinloppet är blockerat.</li> </ul> | <ul style="list-style-type: none"> <li>• Se till att alla fönster och dörrar är stängda.</li> <li>• Ta bort värmekällorna om möjligt.</li> <li>• Anslut eller rengör utloppsslangen för varmluft.</li> <li>• Återställ temperaturen.</li> <li>• Rengör luftinloppet.</li> </ul> |



|  |   |   |
|--|---|---|
| Automatisk avstängning i uppvärmningsläge. | <ul style="list-style-type: none"> <li>Överhettningsskydd: När temperaturen vid luftutloppet överstiger 70 grader stängs enheten av automatiskt.</li> </ul>         | <ul style="list-style-type: none"> <li>Se till att rumstemperaturen sänks innan du startar om enheten.</li> </ul> |
| Hög ljudnivå.                              | <ul style="list-style-type: none"> <li>Underlaget är inte jämnt/plant nog.</li> <li>Ljudet kommer från köldmedium som flödar inuti luftkonditioneringen.</li> </ul> | <ul style="list-style-type: none"> <li>Placera enheten på ett jämnt/plant underlag om möjligt.</li> </ul>         |
| E0-kod                                     | <ul style="list-style-type: none"> <li>Fel på sensor för rumstemperatur.</li> </ul>   | <ul style="list-style-type: none"> <li>Byt sensorn för rumstemperatur.</li> </ul>                                 |
| E2/E4-kod                                  | <ul style="list-style-type: none"> <li>Full vattentank</li> </ul>   | <ul style="list-style-type: none"> <li>Töm vattentanken</li> </ul>  |

## TABELL AC-5560

|  |  |  |   |
|--|--|--|---|
| Informationskrav för luftkonditioneringsapparater med en eller två kanaler |  |  | P |
|--|--|--|---|

| Information för att identifiera den eller de modeller som informationen avser: |             |       |       |
|--|-------------|-------|-------|
| Beskrivning  | Symbol      | Värde | Enhet |
| Nominell kapacitet för kylning   | Praterad    | 2,9   | kW    |
| Nominell kapacitet för uppvärmning   | Praterad    | 2,7   | kW    |
| Märkeffekt för kylning   | Kollega     | 1,115 | kW    |
| Märkeffekt för uppvärmning   | Pcop        | 1,173 | kW    |
| Termostat-avstängt läge energiförbrukning                                      | Pto         | N/A   | W     |
| Effektförbrukning i standby-läge   | Psb         | 0,5   | W     |
| Effektförbrukning i frånläge   | Frånläge    | N/A   | W     |
| Strömförbrukning i vevhusvärmarläge  | Pck         | N/A   | W     |
| Information för att identifiera den eller de modeller som informationen avser: |             |       |       |
| Beskrivning  | Symbol      | Värde | Enhet |
| Bedömt energieffektivitetsförhållande  | EER-klassad | 2,60  |       |
| Nominell prestandakoefficient  | CO-klassad  | 2,3   |       |

SV

|   |     |   |           |
|---|-----|---|-----------|
| Elförbrukning för apparater med en eller två kanaler (ange separat för kylning och uppvärmning) | Qsd | SD: 1,15<br>(Kylning)<br>SD: 1 173<br>(Värme) | kWh/<br>h |
| Elförbrukning för apparat med dubbla kanaler  | Qdd | N/A   | kWh/<br>h |
| Ljudeffektnivå  | Lwa | 65  | dB(A)     |

## PRODUKTEN ELLER UTRUSTNINGEN INNEHÅLLER FLUORERAD VÄXTHUSGAS.

|                               |         |
|-------------------------------|---------|
| Art.nr.                       | AC-5560 |
| Kylmedel                      | R290    |
| Kvantitet i kg:               | 0,215   |
| Global uppvärmningspotential: | 3       |
| Koldioxidmotsvarighet i ton:  | 0,0007  |

## MILJÖ



Apparaten får inte kasseras i hushållssoporna när den har nått slutet av sin livslängd, utan ska lämnas in till en återvinningscentral för elektriska och elektroniska hushållsapparater. Denna viktiga information indikeras av aktuell symbol på apparaten, i användarhandboken och på förpackningen. De material som används i den här apparaten kan återvinnas. Genom återvinning av begagnade hushållsapparater hjälper du till att skydda miljön. Kontakta kommunen om du vill ha information om återvinningsplatser.

EU-direktivet för batteriet (2006/66/EG) anger att det inte är tillåtet att slänga batterier i hushållsavfallet. De kan innehålla ämnen som är skadliga för miljön. Tomma batterier kan lämnas vid relevant lokal offentlig avfallsuppsamling eller ett lokalt återvinningscentrum. För att undvika överhettning på grund av kortslutning måste litium-batterier tas ut ur produkten och polerna måste skyddas mot kortslutning med isoleringstejp eller liknande.

Du hittar all tillgänglig information och reservdelar på [www.tristar.eu](http://www.tristar.eu)!

## BEZPIECZEŃSTWO

- Dokładnie przeczytaj instrukcję użytkownika, aby zapewnić prawidłową eksploatację, konserwację i instalację.
- Producent nie ponosi odpowiedzialności za uszkodzenia w przypadku nieprzestrzegania instrukcji bezpieczeństwa.
- Urządzenie jest przeznaczone wyłącznie do użytku w pomieszczeniach.
- Nie podłączaj urządzenia do gniazdka, które jest uszkodzone lub nieprawidłowo zainstalowane.
- Nie używaj urządzenia:
  - w pobliżu źródła ognia.
  - w miejscu, w którym są możliwe rozbryzgi oleju.
  - w miejscu wystawionym na bezpośrednie światło słoneczne.
  - w miejscu, w którym są możliwe rozbryzgi wody.
  - w pobliżu wanny, prysznicza lub basenu do pływania.
- Nigdy nie wkładaj palców ani żadnych przedmiotów do wylotu powietrza. Zadbaj o to, aby przestrzec dzieci przed takimi zagrożeniami.
- Podczas transportu i przechowywania trzymaj urządzenie pionowo.
- Zawsze wyłączaj urządzenie i odłączaj je od źródła zasilania przed przystąpieniem do czyszczenia.
- Zawsze wyłączaj urządzenie i odłączaj je od źródła zasilania przed przenoszeniem urządzenia.



- **OSTRZEŻENIE:** Aby uniknąć ryzyka pożaru, nie przykrywaj urządzenia.
- Wszystkie gniazdka urządzenia muszą być zgodne z lokalnymi wymaganiami w zakresie bezpieczeństwa elektrycznego. W razie konieczności należy to sprawdzić.

- W przypadku uszkodzenia kabla zasilania, aby uniknąć zagrożenia, musi on być wymieniony przez producenta, jego agenta serwisowego lub osoby o podobnych kwalifikacjach.
- W przypadku uszkodzenia kabla zasilania, aby uniknąć zagrożenia, musi on być wymieniony przez producenta, jego agenta serwisowego lub wykwalifikowaną osobę.
- Z urządzenia mogą korzystać dzieci w wieku od 8 lat oraz osoby o ograniczonych możliwościach fizycznych, sensorycznych i psychicznych bądź nieposiadające odpowiedniej wiedzy i doświadczenia, pod warunkiem, że są nadzorowane lub otrzymały instrukcje dotyczące bezpiecznego używania urządzenia, a także rozumieją związane z tym zagrożenia. Dzieciom nie wolno bawić się urządzeniem. Czyszczenia i konserwacji dozwolonej dla użytkownika nie mogą wykonywać dzieci.
- Urządzenie przeznaczone jest tylko do eksploatacji w gospodarstwie domowym, w sposób zgodny z jego przeznaczeniem.
- Uwagi:

- W razie uszkodzenia odłącz zasilanie i skontaktuj się ze sprzedawcą lub wyspecjalizowanym serwisem.
- Kabel zasilający musi być zawsze dobrze uziemiony.
- Aby uniknąć niebezpieczeństwa, jeśli kabel zasilający ulegnie uszkodzeniu, odłącz zasilanie. Musi on zostać wymieniony przez sprzedawcę lub wyspecjalizowany serwis.

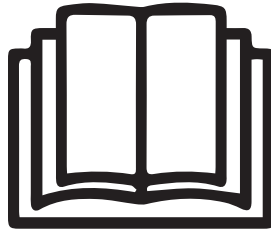
**Ostrzeżenie**

- Przeprowadzaj wyłącznie zalecane przez producenta procedury odszraniania i czyszczenia. Nie przyspieszaj procedur odszraniania i czyszczenia w żaden sposób.
- Urządzenie należy przechowywać w pomieszczeniu, w którym nie ma stale działających źródeł zapłonu (takich jak otwarty płomień, zapalona kuchenka gazowa, włączony grzejnik elektryczny).
- Nie przekłuwaj ani nie spalaj urządzenia.
- Uwaga: czynniki chłodnicze mogą nie zawierać dodatku zapachowego.
- Urządzenie należy zainstalować, eksploatować i przechowywać w pomieszczeniu o powierzchni większej niż X

m<sup>2</sup>. (X=4 dla 5000 Btu/h, 7000 Btu/h, 8000 Btu/h; X=7,7 dla 9000 Btu/h, 10 000 Btu/h, 10 500 Btu/h)

- Aby przeprowadzić naprawę lub konserwację urządzenia, skontaktuj się wyłącznie z autoryzowanym serwisantem.
- Nie ciągnij za kabel zasilający, nie odkształcaj go ani nie modyfikuj, nie zanurzaj go w wodzie. Ciągnięcie za kabel zasilający lub używanie go w niewłaściwy sposób może spowodować uszkodzenie urządzenia i porażenie prądem elektrycznym.
- Należy przestrzegać krajowych przepisów w zakresie postępowania z gazami.
- Otwory wentylacyjne nie mogą być zasłonięte ani zablokowane.
- Każda osoba, która pracuje z układem chłodniczym lub go otwiera, musi mieć ważną licencję wydaną przez akredytowany organ branżowy, która potwierdza kompetencje danej osoby w zakresie bezpiecznej pracy z czynnikami chłodniczymi zgodnie z branżowymi specyfikacjami oceny.

- Prace serwisowe należy wykonywać wyłącznie zgodnie z zaleceniami producenta sprzętu. Konserwację i naprawy, które wymagają uczestnictwa innego przeszkolonego personelu, należy przeprowadzać pod nadzorem osoby kompetentnej (osób kompetentnych) w kwestiach stosowania łatwopalnych czynników chłodniczych.
- Nie wyłączaj urządzenia, wyciągając wtyczkę z kontaktu w trakcie pracy. Może to spowodować porażenie prądem elektrycznym lub pożar w wyniku wytworzenia się ciepła. Wyciągnięcie wtyczki podczas pracy jest dozwolone wyłącznie, jeśli podczas pracy urządzenie zaczyna emitować nietypowe dźwięki, zapachy lub dym.



Informacje szczególnie dotyczące urządzeń z gazem chłodniczym R 290.

- Uważnie przeczytaj wszystkie ostrzeżenia.
- Podczas rozmrażania i czyszczenia urządzenia nie używaj narzędzi innych niż zalecane przez producenta.
- Urządzenia nie należy przechowywać w pomieszczeniu, w którym znajdują się stale działające źródła zapłonu (takie jak otwarty płomień, zapalona kuchenka gazowa, włączony grzejnik elektryczny).
- Nie przebijaj i nie spalaj urządzenia.
- Urządzenie należy zainstalować, eksploatować i przechowywać w pomieszczeniu o powierzchni większej niż X m<sup>2</sup>. (X=4 dla 5000 Btu/h, 7000 Btu/h, 8000 Btu/h; X=7,7 dla 9000 Btu/h, 10 000 Btu/h, 10 500 Btu/h)
- Urządzenie zawiera Y g (patrz tabliczka znamionowa z tyłu urządzenia) gazu chłodniczego R290.
- R290 to gaz chłodniczy zgodny z dyrektywami europejskimi w zakresie środowiska. Nie przebijaj żadnego elementu układu chłodniczego.
- Jeśli urządzenie jest zainstalowane, użytkowane lub przechowywane w niewentylowanym miejscu, pomieszczenie musi być zbudowane tak, aby zapobiec

- nagromadzeniu się wyciekającego czynnika chłodniczego. Takie wycieki mogą spowodować pożar lub wybuch w wyniku zapłonu czynnika chłodniczego, wywołanego przez grzejniki elektryczne, kuchenki, piecyki lub inne źródła zapłonu.
- Urządzenie należy przechowywać w taki sposób, aby nie doszło do jego mechanicznego uszkodzenia.
  - Osoby, które pracują z układem chłodniczym i go obsługują, muszą mieć odpowiednią licencję wydaną przez akredytowaną organizację. Taka licencja zapewnia, że dana osoba ma kompetencje w zakresie postępowania z czynnikami chłodniczymi zgodnie ze specyficzną oceną uznawaną przez stowarzyszenia branżowe.
  - Naprawy muszą być przeprowadzane zgodnie z zaleceniami producenta. Konserwację i naprawy, które wymagają uczestnictwa innego wykwalifikowanego personelu, należy przeprowadzać pod nadzorem osoby wyspecjalizowanej w kwestiach stosowania łatwopalnych czynników chłodniczych.
- Baterie**
- Nigdy nie wystawiaj baterii na działanie wysokich temperatur lub bezpośrednich promieni słonecznych. Nigdy nie wrzucaj baterii do ognia. Istnieje niebezpieczeństwo wybuchu!
  - Przechowuj baterie poza zasięgiem dzieci. Baterie nie są przeznaczone do zabawy!
  - Nie otwieraj baterii na siłę.
  - Unikaj kontaktu z metalowymi przedmiotami. (Pierścienie, gwoździe, śruby itp.) Może wystąpić zwarcie!
  - W wyniku zwarcia baterie mogą się znacznie rozgrzać, a nawet zapalić. Może to spowodować oparzenia.
  - Dla własnego bezpieczeństwa bieguny baterii należy zakleić taśmą samoprzylepną podczas transportu.
  - Nie dotykaj pękniętej i (lub) wyciekającej baterii. Jeżeli płyn z baterii dostanie się do oczu, należy je jak najszybciej przepłukać czystą wodą, bez pocierania. Należy udać się natychmiast do szpitala. Niewłaściwe leczenie może spowodować problemy z oczami.
  - Nie połykać baterii, zagrożenie oparzeniami chemicznymi;

- Produkt zawiera baterię pastylkową/guzikową. Połknięcie baterii pastylkowej/guzikowej może spowodować poważne oparzenia wewnętrzne w ciągu zaledwie 2 godzin i może doprowadzić do śmierci.
- Jeśli komora baterii nie zamyka się bezpiecznie, należy zaprzestać używania produktu i schować go w miejscu niedostępnym dla dzieci.
- W przypadku podejrzenia połknięcia baterii lub ich umieszczenia wewnątrz jakiegokolwiek części ciała należy natychmiast zasięgnąć porady lekarza.
- Baterie zawierają materiały niebezpieczne dla środowiska; należy je usunąć z urządzenia przed jego złomowaniem i zutylizować w bezpieczny sposób.

#### **Czynnik chłodniczy**

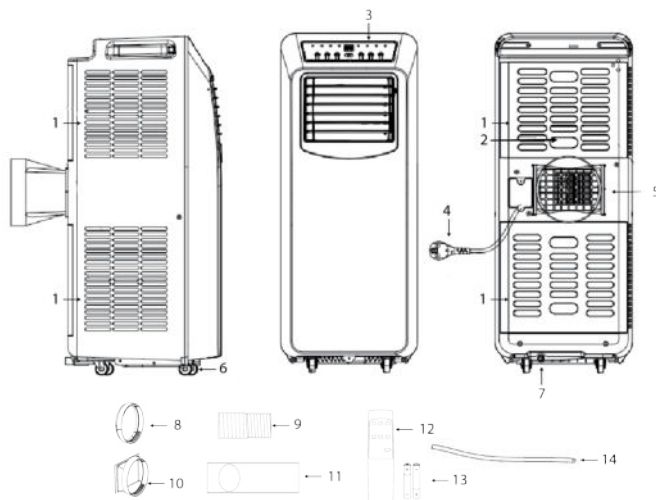
(CE) N 842/2006: Urządzenie zawiera czynnik chłodniczy R290. Ilość czynnika chłodniczego jest mniejsza niż 1 kg, układ chłodzący jest zamknięty. Czynnik chłodniczy nie wpływa na zubożenie warstwy ozonowej, ale zgodnie z Protokołem z Kioto należy do gazów cieplarnianych, w związku z czym w razie jego uwolnienia do atmosfery może się przyczynić do globalnego ocieplenia. Dlatego napelnianie układu czynnikiem chłodniczym i jego opróżnianie mogą przeprowadzać wyłącznie wyszkoleni technicy z licencją na pracę z czynnikiem chłodniczymi. Czynnik chłodniczy w urządzeniu nie

trzeba uzupełniać, jeśli jest eksploatowane prawidłowo, a układ chłodniczy nie jest uszkodzony. Współczynnik ocieplenia globalnego: R290: 3

#### **OPIS CZĘŚCI**

|                     |  |
|---------------------|--|
| 1. Wlot powietrza   | 8. Złącze węża (od strony okna)                          |
| 2. Filtr powietrza  | 9. Wąż odprowadzający gorące powietrze                   |
| 3. Panel sterowania | 10. Złącze węża (od strony klimatyzatora)                |
| 4. Kabel zasilający | 11. Zestaw do montażu adaptera w oknach + kołki mocujące |
| 5. Wylot powietrza  | 12. Pilot zdalnego sterowania                            |
| 6. Kółko            | 13. Baterie  |
| 7. Otwór odpływowy  | 14. Wąż odpływowy  |



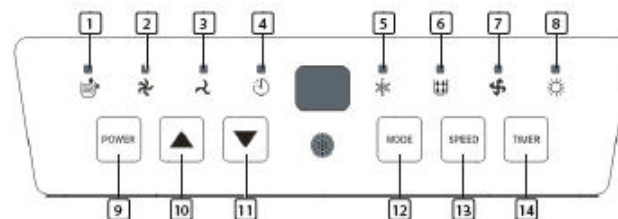


## FUNKCJE PANELU STEROWANIA

|                                    |  |
|------------------------------------|--|
| 1. Wskaźnik pełnego zbiornika wody | 8. Wskaźnik grzania                          |
| 2. Wskaźnik wysokiej wentylacji    | 9. Przycisk wł./wył.                         |
| 3. Wskaźnik niskiej wentylacji     | 10. Przycisk „+” temperatury                 |
| 4. Wskaźnik minutnika              | 11. Przycisk „-” temperatury                 |
| 5. Wskaźnik chłodzenia             | 12. Przycisk trybu                           |
| 6. Wskaźnik osuszacza              | 13. Przycisk regulacji prędkości wentylatora |

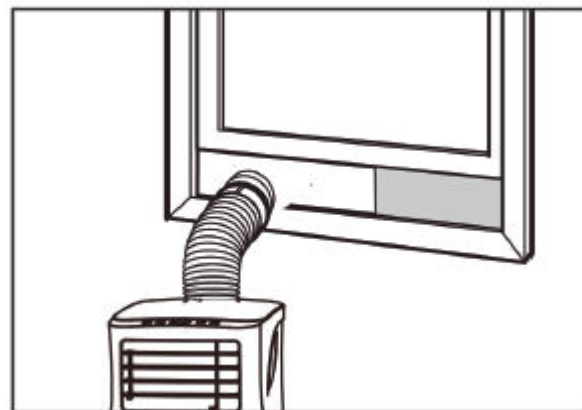
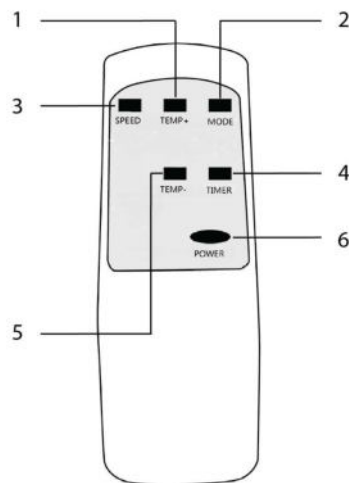
7. Wskaźnik wentylatora

14. Przycisk wł./wył. minutnika



### PILOT

1. Przycisk regulacji temperatury (w górę)
2. Przycisk trybu
3. Przycisk regulacji prędkości wentylatora
4. Przycisk minutnika (wł./wył.)
5. Przycisk regulacji temperatury (w dół)
6. Przycisk zasilania (wł./wył.)



## PRZED PIERWSZYM UŻYCIEM

Przed wykonaniem czynności opisanych w tej sekcji:

- Znajdź miejsce, w którego pobliżu jest dostępne źródło zasilania.
- Zamontuj wąż wylotowy i dokładnie dopasuj położenie okna.
- Dołączone małe białe zaczepty muszą zostać zamontowane na zestawie okiennym.

- Podłącz przewód zasilający do uziemionego gniazda AC 220~240 V/50 Hz
- Naciśnij przycisk zasilania, aby włączyć klimatyzator.
- Ustaw zakres temperatur: 16°C-31°C.
- Sprawdź, czy wąż wylotowy został prawidłowo zamontowany.
- W przypadku korzystania z funkcji chłodzenia, grzania i osuszania, poczekaj co najmniej 3 minuty od wyłączenia przed ponownym włączeniem.

## UŻYTKOWANIE

### Obsługa chłodzenia

- Naciśnij przycisk „Mode” (Tryb), aż pojawi się ikona „Cool” (Chłodzenie).

- Naciśnij przycisk ▲ lub ▼ , aby wybrać żądaną temperaturę w pomieszczeniu.
- Poczekaj około 5 minut, aż rozpocznie się chłodzenie.
- Naciśnij przycisk „fan speed” (prędkość wentylatora), aby ustawić przepływ powietrza.

#### Obsługa osuszania

- Naciśnij przycisk „Mode” (Tryb), aż zaczniesz migać kontrolka osuszania.
- Temperatura zostanie dobrana automatycznie.
- Prędkość wentylatora zostanie dobrana automatycznie.

#### Obsługa grzania

- Naciśnij przycisk „Mode” (Tryb), aż pojawi się ikona „Heat” (Grzanie).
- Naciśnij przycisk ▲ lub ▼ , aby wybrać żądaną temperaturę w pomieszczeniu.
- Poczekaj około 5 minut, aż rozpocznie się grzanie.
- Naciśnij przycisk „fan speed” (prędkość wentylatora), aby ustawić przepływ powietrza.

#### Obsługa minutnika

##### Włączenie minutnika

- Gdy klimatyzator jest wyłączony, naciśnij przycisk „Timer” (minutnik), wybierz żądany czas włączenia i ustaw za pomocą przycisków temperatury.
- Czas włączenia można ustawić dowolnie w zakresie 0-24 godzin.

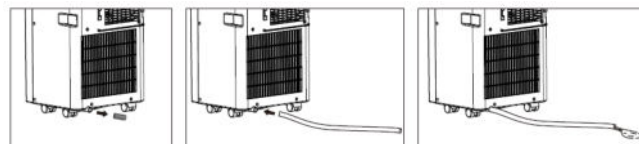
##### Wyłączenie minutnika

- Gdy klimatyzator jest włączony, naciśnij przycisk „Timer” (minutnik), wybierz żądany czas wyłączenia za pomocą przycisków temperatury.

- Czas wyłączenia można ustawić dowolnie w zakresie 0-24 godzin.

#### Odprowadzanie skroplin

- Po dłuższym okresie pracy i przed odstawieniem w celu przechowywania trzeba odprowadzić nagromadzoną skroploną wodę. Znajdź odpowiednie miejsce lub podstaw misę/tacę na wodę i wyjmij gumowy korek z otworu odprowadzania skroplin na spodzie urządzenia. Woda zacznie wypływać. Gdy przestanie, włóż korek z powrotem.
- Można podłączyć wąż odpływowy, który umożliwi ciągłe odprowadzanie wody. Zdjąć gumowy ogranicznik i podłączyć odpowiedni wąż. Wąż ten należy skierować na zewnątrz lub do odpowiedniego odpływu. Należy pamiętać, że woda będzie płynąć w dół, a nie w górę.

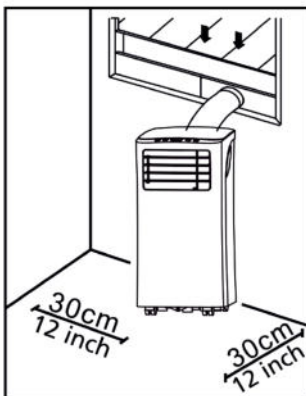


#### Funkcja alarmu o napełnieniu wewnętrznego zbiornika wody

- Wewnętrzny zbiornik wody w klimatyzatorze ma wyłącznik bezpieczeństwa poziomu wody, który kontroluje poziom wody. Gdy woda osiągnie pewną wysokość, zapala się kontrolka napełnienia zbiornika. Wykonaj powyższe kroki, aby odprowadzić wodę.

## MONTAŻ

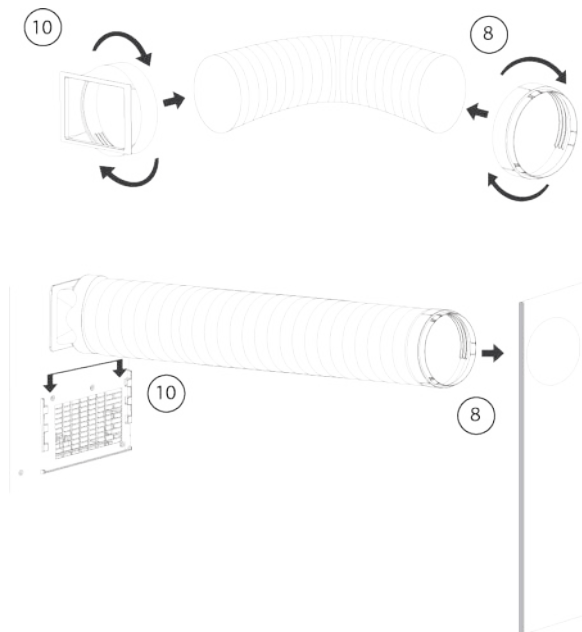
- Klimatyzator należy zamontować na płaskiej i stabilnej powierzchni. Nie blokuj wylotu powietrza i zapewnij wokół urządzenia odstęp co najmniej 30 cm.



- Okablowanie gniazdek powinno być zgodne z lokalnymi wymogami bezpieczeństwa elektrycznego.

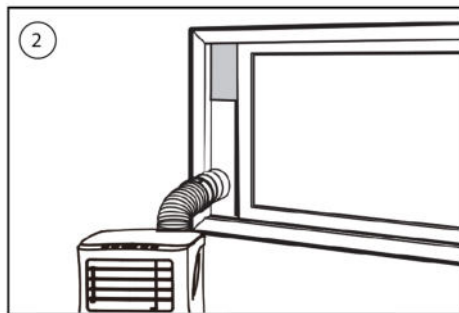
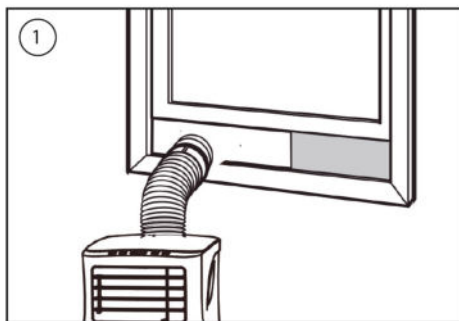
### Instalacja rury wylotowej

- Skręć oba końce rury wylotowej gorącego powietrza (9) z końcówką złącza węży na oknie (8) i końcówką złącza węży na klimatyzatorze (10).
- Włóż końcówkę ze złączem węży do podłączenia klimatyzacji (10) do otworów znajdujących się z tyłu klimatyzatora.
- Przymocuj końcówkę złącza węży na oknie (8) do najbliższego parapetu.



### Mocowanie zestawu z adapterem do okna

- Dopasuj szerokość (rysunek 1) lub wysokość (rysunek 2) adaptera okiennego (11) do otworu okiennego i ustaw jego położenie (11) za pomocą kołków mocujących.
- Przesuń okno w kierunku adaptera.



- Najpierw oczyść powierzchnię neutralnym detergentem i wilgotną szmatką, następnie wytrzyj suchą szmatką.
- Do czyszczenia urządzenia nie używaj benzyny ani innych środków chemicznych.
- Nie myj urządzenia bezpośrednio.

#### **Filtr powietrza**

- Filtr powietrza powinno się czyścić co dwa tygodnie.
- Otwórz kratkę wlotu powietrza i wyjmij filtr powietrza.
- Umyj filtr powietrza neutralnym detergentem i letnią wodą o temperaturze 40°C, odłóż do wyschnięcia (nie susz bezpośrednio na słońcu).
- Włóż z powrotem filtr powietrza do kratki wlotowej.

## **CZYSZCZENIE I KONSERWACJA**

- Przed czyszczeniem odłącz urządzenie od gniazdka.

**ROZWIĄZYWANIE PROBLEMÓW**

| <b>Problemy</b>   | <b>Możliwe przyczyny</b>  | <b>Sugerowane rozwiązania</b>  |
|---|---|--|
| Po naciśnięciu przycisku zasilania urządzenie się nie włącza. | <ul style="list-style-type: none"> <li>• Miga kontrolka napełnienia zbiornika wody, zbiornik jest całkowicie napełniony.</li> <li>• Temperatura w pomieszczeniu jest wyższa niż ustawiona temperatura (tryb ogrzewania elektrycznego)</li> <li>• Temperatura w pomieszczeniu jest niższa niż ustawiona temperatura (tryb chłodzenia)</li> </ul> | <ul style="list-style-type: none"> <li>• Odprowadź wodę ze zbiornika.</li> <li>• Ustaw temperaturę.</li> </ul> |

|  |   |  |
|--|---|--|
| Urządzenie za słabo chłodzi.                 | <ul style="list-style-type: none"> <li>• Drzwi lub okna nie są zamknięte.</li> <li>• W pomieszczeniu znajdują się źródła ciepła.</li> <li>• Wąż wylotowy gorącego powietrza nie jest podłączony lub jest zatkany.</li> <li>• Ustawienie temperatury jest za wysokie.</li> <li>• Wlot powietrza jest zatkany.</li> </ul> | <ul style="list-style-type: none"> <li>• Upewnij się, że wszystkie okna i drzwi są zamknięte.</li> <li>• Usuń źródła ciepła, jeśli to możliwe.</li> <li>• Podłącz lub oczyść wąż wylotowy gorącego powietrza.</li> <li>• Wyzeruj ustawienie temperatury</li> <li>• Oczyść wlot powietrza.</li> </ul> |
| Automatyczne wyłączenie w trybie ogrzewania. | <ul style="list-style-type: none"> <li>• Zadziałało zabezpieczenie przed przegrzaniem. Gdy temperatura na wylocie powietrza przekracza 70 stopni, urządzenie wyłącza się automatycznie.</li> </ul>  | <ul style="list-style-type: none"> <li>• Przed ponownym uruchomieniem urządzenia poczekaj, aż temperatura w pomieszczeniu spadnie.</li> </ul>  |

|                           |  |   |
|---------------------------|--|---|
| Urządzenie działa głośno. | <ul style="list-style-type: none"> <li>Urządzenie stoi na niewypoziomowanym lub nierównym podłożu.</li> <li>Dźwięk pochodzi z przepływu czynnika chłodniczego wewnątrz klimatyzatora.</li> </ul> | <ul style="list-style-type: none"> <li>Jeśli to możliwe, ustaw urządzenie na płaskim i poziomym podłożu.</li> </ul> |
| Kod E0.                   | <ul style="list-style-type: none"> <li>Usterka czujnika temperatury w pomieszczeniu.</li> </ul>  | <ul style="list-style-type: none"> <li>Wymień czujnik temperatury w pomieszczeniu.</li> </ul>                       |
| Kod E2/E4.                | <ul style="list-style-type: none"> <li>Pełny zbiornik na wodę</li> </ul>   | <ul style="list-style-type: none"> <li>Opróżnij zbiornik na wodę</li> </ul>   |

**TABELA AC-5560**

|   |               |                |                   |
|---|---------------|----------------|-------------------|
| Wymagania informacyjne dotyczące klimatyzatorów jedno- i dwukanałowych                    |               |                | P                 |
| Informacje pozwalające zidentyfikować model(-e), do którego(-ych) odnoszą się informacje: |               |                |                   |
| <b>Opis</b>   | <b>Symbol</b> | <b>Wartość</b> | <b>Jedn ostka</b> |
| Znamionowa wydajność chłodzenia   | Prated        | 2,9            | kW                |

|   |               |  |                   |
|---|---------------|--|-------------------|
| Nominalna wydajność grzewcza  | Prated        | 2,7  | kW                |
| Znamionowy pobór mocy do chłodzenia   | Równorzędny   | 1,115  | kW                |
| Znamionowy pobór mocy do ogrzewania   | Pcop          | 1,173  | kW                |
| Pobór mocy w trybie wyłączenia termostatu   | Pto           | Nie dotyczy                                    | W                 |
| Tryb poboru energii w trybie czuwania   | Psb           | 0,5  | W                 |
| Pobór energii w stanie wyłączenia   | Poff          | Nie dotyczy                                    | W                 |
| Pobór mocy w trybie grzałki karteru   | Pck           | Nie dotyczy                                    | W                 |
| Informacje pozwalające zidentyfikować model(-e), do którego(-ych) odnoszą się informacje:                         |               |  |                   |
| <b>Opis</b>   | <b>Symbol</b> | <b>Wartość</b>                                 | <b>Jedn ostka</b> |
| Znamionowy współczynnik wydajności energetycznej  | EERrated      | 2,60   |                   |
| Znamionowy współczynnik wydajności  | COPrated      | 2,3  |                   |
| Zużycie energii elektrycznej przez urządzenia jedno-/dwukanałowe (wskazać oddzielnie dla chłodzenia i ogrzewania) | Qsd           | SD: 1,15 (chłodzenie)<br>SD: 1173 (ogrzewanie) | kWh/h             |

|   |     |             |       |
|---|-----|-------------|-------|
| Zużycie energii elektrycznej przez urządzenie dwukanałowe | Qdd | Nie dotyczy | kWh/h |
| Poziom hałas podczas pracy                                | Lwa | 65          | dB(A) |

## PRODUKT LUB SPRZĘT ZAWIERA FLUOROWANY GAZ CIEPLARNIANY.

|  |         |
|--|---------|
| Nr art.                                    | AC-5560 |
| Chłodziwo:                                 | R290    |
| Ilość w kg:                                | 0,215   |
| Potencjał tworzenia globalnego ocieplenia: | 3       |
| Ekwiwalent CO2 w tonach:                   | 0,0007  |

## ŚRODOWISKO



Po zakończeniu eksploatacji urządzenia nie należy wyrzucać go wraz z odpadami domowymi. Urządzenie to powinno zostać zutylizowane w centralnym punkcie recyklingu domowych urządzeń elektrycznych i elektronicznych. Ten symbol znajdujący się na urządzeniu, w instrukcjach użytkowania i na opakowaniu oznacza ważne kwestie, na które należy zwrócić uwagę. Materiały, z których

wytworzono to urządzenie, nadają się do przetworzenia. Recykling zużytych urządzeń gospodarstwa domowego jest znaczącym wkładem użytkownika w ochronę środowiska. Należy skontaktować się z władzami lokalnymi, aby uzyskać informacje dotyczące punktów zbiórki odpadów.

Zużyty sprzęt może mieć szkodliwy wpływ na środowisko i zdrowie ludzi z uwagi na potencjalną zawartość niebezpiecznych substancji, mieszanin oraz części składowych. Gospodarstwo domowe spełnia ważną rolę w przyczynianiu się do ponownego użycia i odzysku surowców wtórnych, w tym recyklingu zużytego sprzętu. Na tym etapie kształtuje się postawy, które wpływają na zachowanie wspólnego dobra jakim jest czyste środowisko naturalne.

Zgodnie z europejską dyrektywą dotyczącą baterii (2006/66/WE) nie wolno wyrzucać baterii wraz z odpadami komunalnymi. Baterie mogą zawierać substancje szkodliwe dla środowiska. Rozładowane baterie należy oddać w lokalnym publicznym punkcie zbiórki lub w lokalnym centrum recyklingu. Aby uniknąć przegrzewania w wyniku zwarcia, baterie litowe należy wyjąć z produktu i osłonić ich bieguny taśmą izolacyjną lub w inny sposób. To pozwoli uniknąć zwarcia.

Wszelkie informacje i części zamienne można znaleźć na stronie [www.tristar.eu](http://www.tristar.eu)



## BEZPEČNOST

- Pozorně si přečtete tuto uživatelskou příručku, abyste zajistili správné používání, údržbu a instalaci spotřebiče.
- Při ignorování bezpečnostních pokynů nemůže být výrobce odpovědný za případná poškození.
- Spotřebič je určen pouze pro použití ve vnitřních prostorách.
- Nepřipojujte spotřebič k elektrickým zásuvkám, které jsou poškozené nebo nejsou instalovány správným způsobem.
- Jednotku nepoužívejte:
  - v blízkosti zdrojů ohně;
  - na místech, kde hrozí postříkání olejem;
  - na místech vystavených přímému slunečnímu záření;
  - na místech, kde hrozí postříkání vodou;
  - v blízkosti vany, sprchy nebo bazénu.
- Nikdy nestrkejte prsty ani žádný předmět do vzduchového výstupu. Obzvláště upozorněte na tato nebezpečí děti.
- Během přepravy nebo skladování jednotka musí stát.
- Jednotku před čistěním vždy vypněte nebo odpojte od zdroje napájení.

- Jednotku před přemístěním vždy vypněte a odpojte od zdroje napájení.



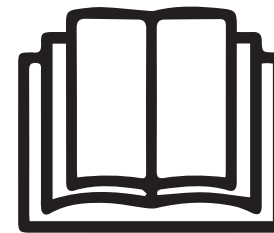
- **VAROVÁNÍ:** Aby se předešlo riziku vzniku požáru, jednotku nezakrývejte.
- Všechny připojovací zásuvky jednotky musí odpovídat místním požadavkům na elektrickou bezpečnost. V případě potřeby proveďte kontrolu.

- Pokud je napájecí kabel poškozen, musí být vyměněn výrobcem, jeho servisním zástupcem nebo podobně kvalifikovanou osobou, aby se předešlo možným rizikům.
- Pokud je napájecí kabel poškozen, musí být vyměněn výrobcem, jeho servisním zástupcem nebo kvalifikovanou osobou, aby se předešlo možným rizikům.
- Tento spotřebič mohou děti starší 8 let a lidé se sníženými fyzickými, smyslovými nebo mentálními schopnostmi či nedostatkem zkušeností a znalostí používat, pouze pokud jsou pod dohledem nebo dostali instrukce týkající se bezpečného použití spotřebiče a rozumí možným rizikům. Děti si nesmí hrát se spotřebičem. Čištění a údržba by neměla být prováděna dětmi bez dozoru.
- Tento spotřebič lze použít pouze v domácnosti za účelem, pro který byl vyroben.
- Poznámka:
  - Dojde-li k poškození, odpojte napájecí kabel a kontaktujte prodejce nebo autorizovaného opravce.
  - Napájecí kabel musí být v každém případě řádně uzemněn.
- Abyste zamezili vzniku nebezpečí, když je napájecí kabel poškozený, odpojte zdroj napájení. V takovém případě jej musí vyměnit prodejce nebo autorizovaný opravce.

#### Varování

- Používejte pouze výrobcem doporučený postup odmrazování a čištění. Proces odmrazování ani čištění žádným způsobem neurychlujte.
- Spotřebič se musí skladovat v místnosti bez trvale zapnutých zdrojů vznícení (např. otevřený oheň, zapnutý plynový spotřebič nebo zapnutý elektrický ohřívač).
- Spotřebič nepropichujte ani nevhazujte do ohně.
- Pamatujte, že chladiva mohou být bez zápachu.
- Spotřebič by se měl instalovat, provozovat a skladovat v místnosti s podlahovou plochou větší než X m<sup>2</sup>. (X=4 pro 5000 Btu/h, 7000 Btu/h, 8000 Btu/h; X=7,7 pro 9000 Btu/h, 10000 Btu/h, 10500 Btu/h)
- Opravu nebo údržbu jednotky nechte provést pouze u autorizovaného opravce.

- Za napájecí kabel netahejte, nedeformujte ho, neupravujte ho a ani ho neponožte do vody. Tahání za napájecí kabel nebo nesprávná manipulace s ním mohou způsobit poškození jednotky a úraz elektrickým proudem.
- Dodržujte vnitrostátní předpisy týkající se používání plynů.
- Ventilační otvory ničím nezakrývejte.
- Každá osoba, která provádí práce nebo zásahy na okruhu s chladivem, musí mít platný certifikát vystavený akreditovaným orgánem, který potvrzuje, že je kompetentní bezpečně manipulovat s chladivem podle obecně platných nařízení v odvětví.
- Opravy se musí vždy provádět pouze podle doporučení vydaných výrobcem spotřebiče. Údržba a opravy, které vyžadují asistenci druhé vyškolené osoby, se musí provádět pod dohledem osoby způsobilé k manipulaci s hořlavými chladivy.
- S výjimkou případů, kdy z jednotky vycházejí neobvyklé zvuky, podivný zápach nebo kouř, nevypínejte spuštěnou jednotku odpojením napájecího kabelu. Mohlo by dojít k úrazu elektrickým proudem nebo k požáru v důsledku vzniklého tepla.



Specifické informace o spotřebičích používajících chladivo R 290.

- Pozorně si přečtete všechna varování.
- Když spotřebič odmrazujete a čistíte, nepoužívejte žádné jiné nástroje, než které jsou doporučeny výrobcem.
- Spotřebič se nesmí skladovat v místnosti s trvale zapnutými zdroji vznícení (např. otevřený oheň, zapnutý plynový spotřebič nebo zapnutý elektrický ohřívač).
- Spotřebič nepropichujte ani nevhazujte do ohně.
- Spotřebič by se měl instalovat, provozovat a skladovat v místnosti s podlahovou plochou větší než X m<sup>2</sup>. (X=4 pro 5000 Btu/h, 7000 Btu/h, 8000 Btu/h; X=7,7 pro 9000 Btu/h, 10000 Btu/h, 10500 Btu/h)
- Tento spotřebič obsahuje Y gramů (viz štítek na zadní straně jednotky) chladiva R290.

- R290 je chladivo, které vyhovuje nařízením EU o ochraně životního prostředí. Nepropichujte žádnou část okruhu s chladivem.
- Pokud je spotřebič instalován, provozován nebo uskladněn na nevětraném místě, místnost musí být uzpůsobena tak, aby v ní nedocházelo k hromadění uniklého chladiva. To by mohlo způsobit nebezpečí vzniku požáru nebo výbuchu chladiva v důsledku používání elektrických ohříváčů, kamen nebo jiných zdrojů vznícení.
- Spotřebič musí být uskladněn takovým způsobem, aby se předešlo mechanickému poškození.
- Osoby, které provádí práce nebo zásahy na okruhu s chladivem, musí mít platný certifikát vystavený akreditovaným orgánem, který potvrzuje, že jsou kompetentní manipulovat s chladivem podle platných nařízení v odvětví.
- Opravy se musí provádět podle doporučení výrobce. Údržba a opravy, které vyžadují asistenci druhé vyškolené osoby, se musí provádět pod dohledem osoby způsobilé k manipulaci s hořlavými chladivy.
- Nevystavujte baterii vysokým teplotám ani přímému slunečnímu světlu. Nikdy nehazujte baterie do ohně. Hrozí nebezpečí výbuchu!
- Udržujte baterie mimo dosah dětí. Baterie nejsou hračka!
- Neotevírejte baterie násilím.
- Vyhněte se kontaktu s kovovými předměty (kroužky, hřebíky, šrouby atd.), hrozí nebezpečí zkratu!
- V důsledku zkratu se mohou baterie výrazně zahřát nebo dokonce vznítit. To může mít za následek popáleniny.
- Pro vaši bezpečnost by měly být póly baterie během přepravy zakryty lepicími proužky.
- Nedotýkejte se prasklé a/nebo vytékající baterie. Pokud se vám kapalina z baterie dostane do očí, co nejdříve si oči vypláchněte čistou vodou, ale nemněte si je. Okamžitě jedte do nemocnice. V případě nesprávného ošetření hrozí problémy se zrakem.
- Baterie nikdy nevkládejte do úst, hrozí popálení chemickými látkami;

#### Baterie

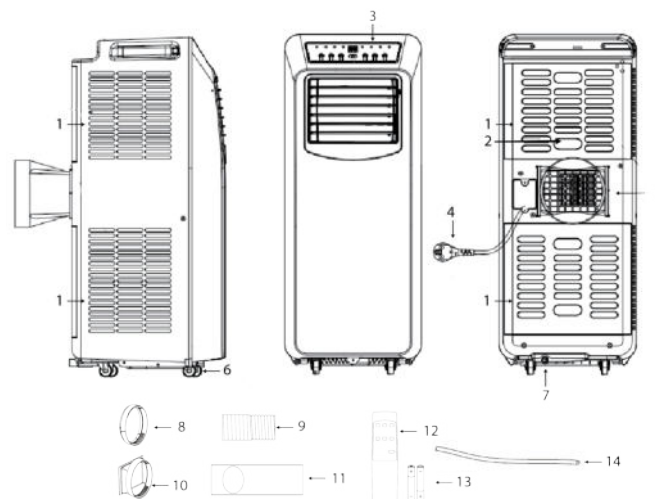
- Tento výrobek obsahuje mincovou/ knoflíkovou baterii. Spolknutí mincové/ knoflíkové baterie může způsobit závažné vnitřní poleptání během pouhých 2 hodin a může vést k úmrtí.
- Pokud nelze přihrádku na baterie bezpečně uzavřít, přestaňte produkt používat a uchovávejte jej mimo dosah dětí.
- Pokud se domníváte, že mohlo dojít ke spolknutí baterie nebo vniknutí do jakékoli části těla, vyhledejte okamžitě lékařskou pomoc.
- Baterie obsahují materiály nebezpečné pro životní prostředí; musí se ze spotřebiče před jeho likvidací vyjmout a musí být bezpečně zlikvidovány.

#### Chladivo

(CE) N 842/2006: Tato jednotka obsahuje chladivo R290. Množství chladiva je menší než 1 kg a koluje v uzavřeném okruhu. Chladivo nemá žádný dopad na ozónovou vrstvu, ale spadá do tzv. skleníkových plynů podle Kjótského protokolu, a proto může přispívat ke globálnímu oteplování, když je uvolněno do ovzduší. Z toho důvodu chladivo mohou plnit nebo vypouštět pouze kvalifikované osoby s příslušnou certifikací. Váš spotřebič nevyžaduje doplňování chladiva, pokud je používán správným způsobem a nemá poškozený chladicí okruh. GWP: R290: 3

## POPIS SOUČÁSTÍ

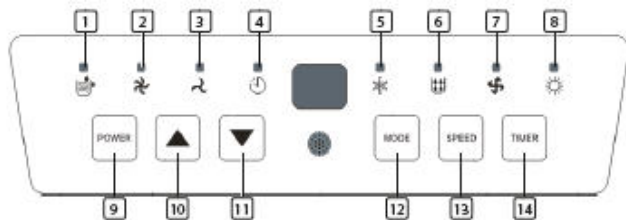
|                    |  |
|--------------------|--|
| 1. Přívod vzduchu  | 8. Hadicová spojka (strana okna)                 |
| 2. Vzduchový filtr | 9. Hadice pro odvod horkého vzduchu              |
| 3. Ovládací panel  | 10. Konektor hadice (strana klimatizace)         |
| 4. Napájecí kabel  | 11. Sada okenního posuvníku + upevňovacích prvků |
| 5. Výstup vzduchu  | 12. Dálkový ovladač                              |
| 6. Kolečko         | 13. Baterie                                      |
| 7. Drenážní otvor  | 14. Drenážní hadička                             |



CS

## FUNKCE OVLÁDACÍHO PANELU

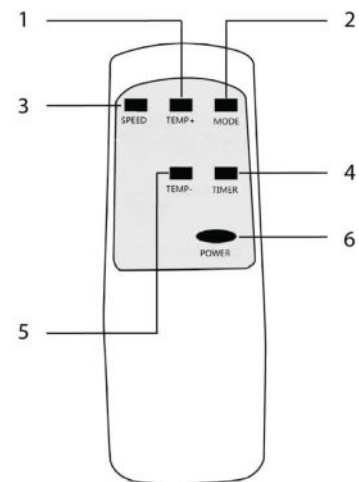
|                                 |  |
|---------------------------------|--|
| 1. Indikátor plné vodní nádržky | 8. Indikátor vytápění                        |
| 2. Indikátor silné ventilace    | 9. Vypínač                                   |
| 3. Indikátor slabé ventilace    | 10. Tlačítko zvýšení (+) teploty             |
| 4. Indikátor časovače           | 11. Tlačítko snížení (-) teploty             |
| 5. Indikátor chlazení           | 12. Tlačítko režimu                          |
| 6. Indikátor odvlhčování        | 13. Tlačítko nastavení rychlosti ventilátoru |
| 7. Indikátor ventilátoru        | 14. Tlačítko zapnutí/vypnutí časovače        |



### DÁLKOVÝ OVLADAČ

1. Tlačítko zvýšení teploty
2. Tlačítko režimu
3. Tlačítko nastavení rychlosti ventilátoru
4. Tlačítko časovače
5. Tlačítko snížení teploty

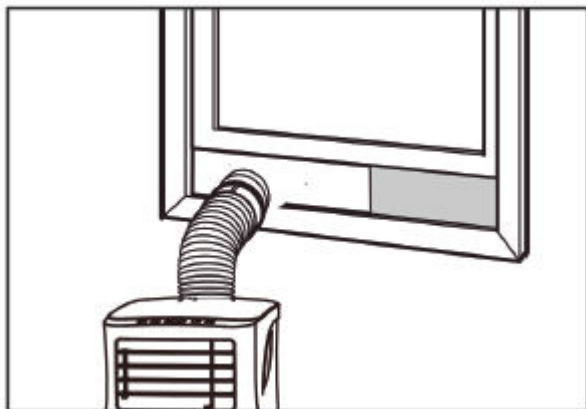
### 6. Vypínač



## PŘED PRVNÍM POUŽITÍM

### Před spuštěním spotřebiče:

- Najděte místo s blízkou elektrickou zásuvkou.
- Nainstalujte odvodní hadici a nastavte okno do správné polohy.
- Příložené malé bílé spony se musí namontovat na okenní sadu.



- Zástrčku napájecího kabelu zapojte do uzemněné zásuvky (AC 220-240 V / 50 Hz).
- Stisknutím vypínače klimatizaci zapněte.
- Nastavte rozmezí teploty: 16-31 °C.
- Zkontrolujte, zda byla odvodní hadice správně namontována.
- Když používáte funkci chlazení, vytápění a odvlhčování, mezi vypnutím a zapnutím počkejte alespoň 3 minuty.

## POUŽITÍ

### Režim chlazení

- Stiskněte tlačítko „Režim“, dokud se nezobrazí ikona „Chlazení“.
- Stiskněte tlačítko ▲ nebo ▼ pro nastavení požadované teploty v místnosti.
- Za přibližně 5 minut jednotka zahájí chlazení.

- Stisknutím tlačítka „rychlosti ventilátoru“ nastavte průtok vzduchu.

### Režim odvlhčování

- Stiskněte tlačítko „režimu“, dokud nezačne blikat „indikátor odvlhčování“.
- Teplota se nastaví automaticky.
- Rychlost ventilátoru se nastaví automaticky.

### Režim vytápění

- Stiskněte tlačítko „režimu“, dokud se nezobrazí ikona „vytápění“.
- Stiskněte tlačítko ▲ nebo ▼ pro nastavení požadované teploty v místnosti.
- Za přibližně 5 minut jednotka zahájí vytápění.
- Stisknutím tlačítka „rychlosti ventilátoru“ nastavte průtok vzduchu.

### Režim časovače

#### Nastavení časovače zapnutí

- Když je klimatizace vypnutá, stiskněte tlačítko „časovače“ a vyberte požadovaný čas zapnutí; nastavení proveďte pomocí tlačítek teploty.
- Čas zapnutí lze nastavit kdykoli v intervalu 0-24 hodin.

#### Nastavení časovače vypnutí

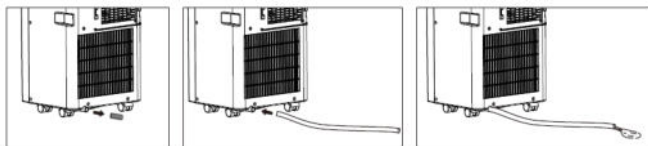
- Když je klimatizace zapnutá, stiskněte tlačítko „časovače“ a vyberte požadovaný čas vypnutí; nastavení proveďte pomocí tlačítek teploty.
- Čas vypnutí lze nastavit kdykoli v intervalu 0-24 hodin.

### Vypouštění vody

- Po delším provozu a před uskladněním bude zapotřebí vypustit vodu, která se v jednotce nahromadila. Připravte si vhodné místo nebo nádobu pro zachycení vody a vytáhněte pryžový uzávěr z vypouštěcího otvoru na spodní straně jednotky. Voda začne vytékat. Jakmile voda vyteče, vložte zpět uzávěr.

## Návod k použití

- Můžete připojit drenážní hadici, která umožní nepřetržitý odtok vody. Odstraňte pryžovou zátku a připojte vhodnou hadici. Tuto hadici je třeba nasměrovat ven nebo do vhodného odpadu. Mějte prosím na paměti, že voda bude proudit dolů a nikoli nahoru.

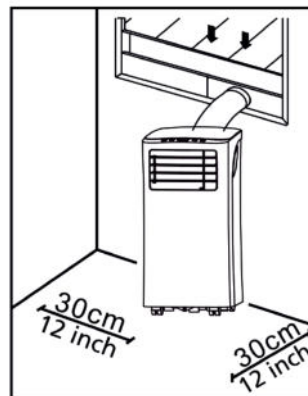


### Funkce výstrahy plné vnitřní vodní nádržky

- Vodní nádržka uvnitř klimatizace má jeden bezpečnostní hladinový spínač, který kontroluje hladinu vody. Jakmile hladina vody dosáhne předpokládané výšky, rozsvítí se indikátor plné vodní nádržky. Proveďte výše uvedené kroky a vodu vypusťte.

## INSTALACE

- Klimatizaci nainstalujte na rovném a stabilním povrchu. Neblokujte výstup vzduchu a ponechte kolem jednotky alespoň 30 cm.

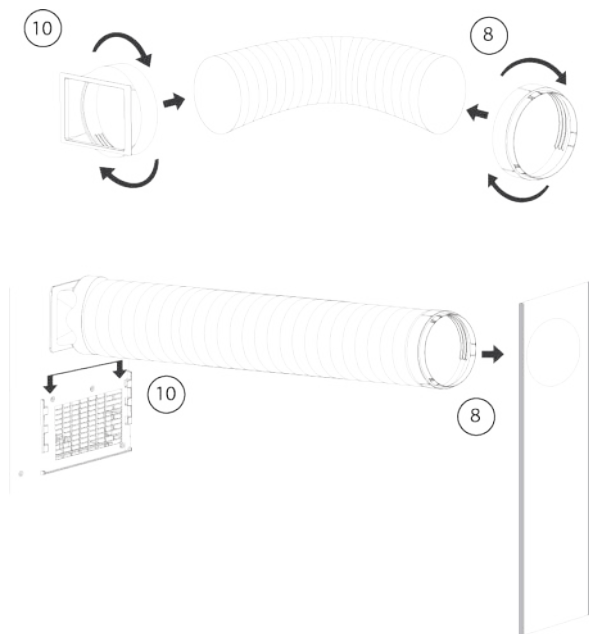


- Zapojení zásuvek by mělo být v souladu s místními požadavky na bezpečnost elektronizalace.

### Instalace odvodové hadice

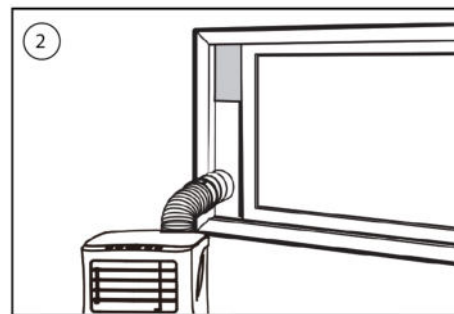
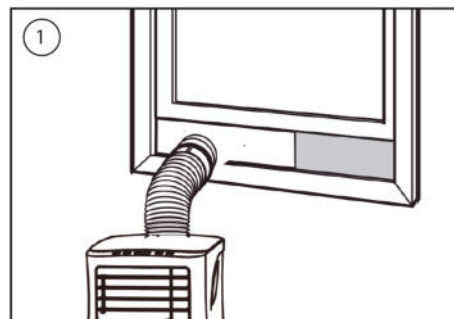
- Zatočte oba konce odvodové hadice horkého vzduchu (9) do konektoru hadice strany okna (8) a konektoru hadice strany klimatizace (10).
- Zasuňte konektor hadice strany klimatizace (10) do otvorů na zadní straně klimatizační jednotky.
- Připevněte konektor hadice strany okna (8) k nejbližšímu parapetu.





#### Instalace sady okenního posuvníku

- Upravte šířku (obrázek 1) nebo výšku (obrázek 2) okenního posuvníku (11) tak, aby odpovídal otevření okna, a zafixujte polohu okenního posuvníku (11) upevňovacími prvky.
- Posuňte okno nahoru k posuvníku.



#### ČIŠTĚNÍ A ÚDRŽBA

- Před čištěním odpojte elektrické napájení jednotky.

## Návod k použití

- Nejprve očistěte povrch neutrálním čisticím prostředkem a vlhkou utěrkou a potom jednotku utřete suchou utěrkou.
- Nepoužívejte benzín nebo jiné chemikálie k čištění jednotky.
- Jednotku neumývejte přímo.

### Vzduchový filtr

- Vzduchový filtr by se měl čistit jednou za dva týdny.
- Otevřete mřížku vstupu vzduchu a vytáhněte vzduchový filtr.
- Vzduchový filtr očistěte neutrálním čisticím prostředkem ve vlažné vodě (40 °C) a nechte jej zcela uschnout (ne na přímém slunci).
- Vložte filtr zpět do vstupní mřížky.

## ŘEŠENÍ POTÍŽÍ

| Odstraňování problémů | Možné příčiny | Doporučená nápravná opatření |
|-----------------------|---------------|------------------------------|
|-----------------------|---------------|------------------------------|

|  |   |  |
|--|---|--|
| Jednotka se po stisknutí vypínače nezapne. | <ul style="list-style-type: none"><li>• Bliká indikátor plné vodní nádržky, tzn. že vodní nádržka je plná.</li><li>• Pokojevá teplota je vyšší než nastavená teplota (režim elektrického vytápění).</li><li>• Pokojevá teplota je nižší než nastavená teplota (režim chlazení).</li></ul> | <ul style="list-style-type: none"><li>• Vypusťte vodu z vodní nádržky.</li><li>• Nastavte teplotu.</li></ul> |
|--|---|--|

|  |   |   |
|--|---|---|
| Jednotka dostatečně nechladí.          | <ul style="list-style-type: none"> <li>• Dveře nebo okna nejsou zavřené.</li> <li>• Uvnitř místnosti jsou zdroje tepla.</li> <li>• Hadice odvodu horkého vzduchu není připojena nebo je blokována.</li> <li>• Nastavení teploty je příliš vysoké.</li> <li>• Vstup vzduchu je blokována.</li> </ul> | <ul style="list-style-type: none"> <li>• Ujistěte se, že všechna okna a dveře jsou zavřené.</li> <li>• Odstraňte zdroje tepla, je-li to možné.</li> <li>• Připojte nebo vyčistěte hadici odvodu horkého vzduchu.</li> <li>• Obnovte nastavení teploty.</li> <li>• Vyčistěte vstup vzduchu.</li> </ul> |
| Automatické vypnutí v režimu vytápění. | <ul style="list-style-type: none"> <li>• Ochrana proti přehřátí, která se aktivuje při teplotě výstupního vzduchu nad 70 °C, automaticky vypnula jednotku.</li> </ul>   | <ul style="list-style-type: none"> <li>• Nechte teplotu v místnosti ochladit, než znovu zapnete jednotku.</li> </ul>  |

|           |  |  |
|-----------|--|--|
| Hluk.     | <ul style="list-style-type: none"> <li>• Podklad není rovný nebo dostatečně stabilní.</li> <li>• Zvuk vychází z proudění chladiva uvnitř klimatizace.</li> </ul> | <ul style="list-style-type: none"> <li>• Umístěte jednotku na rovný, stabilní povrch, je-li to možné.</li> </ul> |
| Kód E0    | <ul style="list-style-type: none"> <li>• Porucha senzoru pokojové teploty.</li> </ul>  | <ul style="list-style-type: none"> <li>• Vyměňte senzor pokojové teploty.</li> </ul>                             |
| Kód E2/E4 | <ul style="list-style-type: none"> <li>• Plná vodní nádržka.</li> </ul>  | <ul style="list-style-type: none"> <li>• Vyprázdněte vodní nádržku.</li> </ul>                                   |

### TABULKA AC-5560

|   |               |                |                 |
|---|---------------|----------------|-----------------|
| Informace – požadavky pro jedno- a dvoukanalové klimatizační jednotky |               |                | P               |
| Údaje k určení modelů, na které se informace vztahují:                |               |                |                 |
| <b>Popis</b>  | <b>Symbol</b> | <b>Hodnota</b> | <b>Jednotka</b> |
| Jmenovitá chladicí kapacita   | Prated        | 2,9            | kW              |
| Jmenovitá topná kapacita  | Prated        | 2,7            | kW              |
| Jmenovitý příkon chlazení   | Peer          | 1,115          | kW              |
| Jmenovitý příkon vytápění   | Pcop          | 1,173          | kW              |

## Návod k použití

| Spotřeba energie ve režimu vypnutého termostatu   | Pto      | ---   | W        |
|---|----------|---|----------|
| Spotřeba energie v pohotovostním režimu   | Psb      | 0,5   | W        |
| Spotřeba energie ve vypnutém stavu  | Poff     | ---   | W        |
| Spotřeba energie v režimu ohřevu klikové skříně   | Pck      | ---   | W        |
| Údaje k určení modelů, na které se informace vztahují:  |          |   |          |
| Popis   | Symbol   | Hodnota                                     | Jednotka |
| Jmenovitý poměr energetické účinnosti   | EERrated | 2,60  |          |
| Jmenovitý koeficient výkonu   | COPrated | 2,3   |          |
| Spotřeba elektrické energie jedno/dvoukanálových spotřebičů (uveďte samostatně pro chlazení a vytápění) | Qsd      | SD: 1,15 (chlazení)<br>SD: 1,173 (vytápění) | kWh/h    |
| Spotřeba elektrické energie dvoukanálového spotřebiče   | Qdd      | ---   | kWh/h    |
| Hladina akustického výkonu  | Lwa      | 65  | dB(A)    |

## VÝROBEK OBSAHUJE FLUOROVANÝ SKLENÍKOVÝ PLYN.

|            |         |
|------------|---------|
| Č. výrobku | AC-5560 |
|------------|---------|

|                                      |        |
|--------------------------------------|--------|
| Chladivo:                            | R290   |
| Množství v kg:                       | 0,215  |
| Potenciál globálního oteplování:     | 3      |
| Ekvivalent CO <sub>2</sub> v tunách: | 0,0007 |

## PROSTŘEDÍ



Tento spotřebič by neměl být po ukončení životnosti vyhazován do domovního odpadu, ale musí být odvezen na centrální sběrné místo k recyklaci elektroniky a domácích elektrických spotřebičů. Symbol na spotřebiči, návod k obsluze a obal vás na tento důležitý problém upozorňuje. Materiály použité v tomto spotřebiči jsou recyklovatelné. Recyklací použitých domácích spotřebičů významně přispějete k ochraně životního prostředí. Informace o sběrném místě vám sdělí místní obecní úřad.

Evropská směrnice pro baterie (2006/66/ES) zakazuje vyhazovat baterie spolu s domácím odpadem. Mohou obsahovat látky škodlivé pro životní prostředí. Vybité baterie můžete odevzdat na místní sběrné místo nebo v recyklačním středisku. Aby nedošlo k přehřátí v důsledku zkratu, lithiové baterie se musí ze zařízení vyjmout a jejich póly se musí izolovat pomocí izolační pásky nebo jinak chránit před zkratem.

Všechny dostupné informace a náhradní díly naleznete na adrese  
[www.tristar.eu](http://www.tristar.eu)!

## BEZPEČNOSŤ

- Prečítajte si pozorne tento návod, aby sa zabezpečilo správne používanie, údržba a inštalácia.
- V prípade ignorovania týchto bezpečnostných pokynov sa výrobca vzdáva akejkoľvek zodpovednosti za vzniknutú škodu.
- Zariadenie je len na vnútorné použitie.
- Nepoužívajte jednotku so zásuvkou, ktorá je poškodená alebo nie je správne nainštalovaná.
- Jednotku nepoužívajte:
  - v blízkosti zdrojov ohňa.
  - v oblasti, kde je pravdepodobnosť rozliatia oleja.
  - v oblasti vystavenej priamemu slnečnému svetlu.
  - v oblasti, kde je pravdepodobné ošpliechanie vodou.
  - v blízkosti kúpeľne, sprchy alebo bazénu.
- Nikdy nedávajte prsty ani iné predmety do vetracích otvorov. Špeciálne dbajte na varovanie detí pred týmito nebezpečenstvami.

- Jednotku držte smerom hore, keď ju prenášate a skladujete.
- Jednotku pred čistením vždy vypnite alebo odpojte napájanie.
- Pred prenášaním jednotky vždy vypnite alebo odpojte napájanie.



- **VAROVANIE:** Aby ste sa vyhli riziku požiaru, jednotku neprikrývajte.

- Všetky zásuvky jednotky sa musia zhodovať s požiadavkami na elektrickú bezpečnosť. Skontrolujte, ak je to potrebné.
- Ak je napájací kábel poškodený, musí ho vymeniť výrobca, jeho servisný technik alebo podobné kvalifikované osoby, aby sa zamedzilo nebezpečenstvu.
- Ak je napájací kábel poškodený, musí ho vymeniť výrobca, jeho servisný technik alebo podobné kvalifikovaná osoba(y), aby sa zamedzilo nebezpečenstvu.
- Toto zariadenie smú používať deti staršie ako 8 rokov a osoby, ktoré majú znížené fyzické, sensorické alebo duševné schopnosti, alebo osoby bez patričných skúseností a znalostí používať, iba pokiaľ na nich dozerá osoba zodpovedná za ich bezpečnosť alebo ak ich táto osoba vopred poučí o bezpečnej obsluhu spotrebiča a príslušných rizikách. Deti sa nesmú hrať so spotrebičom. Čistenie a údržbu nesmú robiť deti bez dozoru.
- Tento spotrebič sa smie používať iba na špecifikované účely v domácom prostredí.
- Poznámky:
  - V prípade akéhokoľvek poškodenia odpojte napájanie a kontaktujte predajcu alebo určený predajný servis.
  - V každom prípade by mal byť napájací kábel pevne uzemnený.
  - Aby ste sa vyhli prípadnému nebezpečenstvu v prípade poškodeného napájacieho kábla, odpojte napájanie. Musí ich vymeniť predajca alebo určený predajný servis.

#### Výstraha

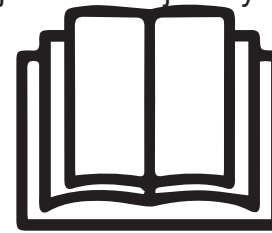
- Používajte len také postupy odmrazovania a čistenia, ktoré odporúča len výrobca. Neurýchľujte žiadnym spôsobom proces odmrazovania alebo čistenia.
- Zariadenie by sa malo uskladniť v miestnosti, kde nie sú v nepretržitej prevádzke zápalné zdroje (napríklad: otvorený oheň, prevádzka plynového zariadenia alebo prevádzka elektrického ohrievača).
- Neprepichute ani nehádzte do ohňa.
- Majte sa na pozore, pretože chladivá nemajú zápach.
- Zariadenie by sa malo inštalovať, prevádzkovať a uskladniť v miestnosti s plochou podlahy väčšou ako X m<sup>2</sup>. (X=4 pre

5 000 Btu/hod, 7 000 Btu/hod, 8 000 Btu/hod; X = 7,7 pre 9 000 Btu/hod. 10000Btu/h, 10500Btu/h)

- V prípade opravy alebo údržby tejto jednotky kontaktujte výhradne autorizovaného servisného technika.
- Nevyťahujte, nedeformujte ani neupravujte napájací kábel, neponárajte ho do vody. Vyťahovanie alebo nesprávne používanie napájacieho kábla môže mať za následok poškodenie jednotky a môže spôsobiť úraz elektrickým prúdom.
- Je potrebné dodržiavať súlad s národnými predpismi týkajúcimi sa plynu.
- Zabráňte zablokovaniu vetracích otvorov.
- Všetky osoby, ktoré sú zapojené do prevádzky alebo odpájania chladiaceho obvodu, by mali byť držiteľmi platného certifikátu od akreditovaného priemyselného úradu, čo im poskytuje spôsobilosť manipulovať s chladiacimi zariadeniami bezpečne a v súlade s priemyselne uznanými a stanovenými špecifikáciami.
- Servis by sa mal vykonávať len na odporúčanie výrobcu zariadenia. Údržba a oprava, ktorá vyžaduje asistenciu iného

skúseného personálu by sa mala vykonávať za dozoru osoby kompetentnej na používanie horľavých chladív.

- Jednotku nezastavujte vyťahovaním napájacej zástrčky, kým je v prevádzke, pretože to môže spôsobiť úraz elektrickým prúdom alebo požiar v dôsledku vytvárania tepla, s výnimkou prípadov, keď je počuť neobvyklé zvuky alebo cítiť neobvyklý zápach alebo sa na jednotke objaví dym.



Špecifické informácie týkajúce sa zariadení s chladiacim plynom R 290.

- Dôkladne si prečítajte všetky varovania.
- Pri rozmrazovaní a čistení zariadenia nepoužívajte žiadne nástroje, iné ako sú odporúčané výrobnou továrňou.
- Zariadenie by sa malo uskladniť v miestnosti, kde nie sú v nepretržitej prevádzke zápalné zdroje (napríklad:



- otvorený oheň, spotrebič na plynový pohon v prevádzke alebo elektrický ohrievač v prevádzke).
- Neprepichujte ani nehádzte do ohňa.
  - Zariadenie by sa malo inštalovať, prevádzkovať a uskladniť v miestnosti s plochou podlahy väčšou ako X m<sup>2</sup>. (X=4 pre 5 000 Btu/hod, 7 000 Btu/hod, 8 000 Btu/hod; X = 7,7 pre 9 000 Btu/hod. 10 000 Btu/hod., 10 500 Btu/hod.)
  - Toto zariadenie obsahuje Y g (pozrite si štítky na zadnej časti jednotky) chladiaci plyn R290.
  - R290 je chladiaci plyn, ktorý spĺňa európske smernice týkajúce sa životného prostredia. Neprepichujte žiadnu časť chladiaceho obvodu.
  - Ak je zariadenie nainštalované, prevádzkované alebo uskladnené v nevetranej oblasti, miestnosť musí byť navrhnutá tak, aby sa predchádzalo kumulovaniu presakovania chladiva, ktoré môže mať za následok riziko požiaru alebo explózie v dôsledku vznietenia chladiva, spôsobeného elektrickými ohrievačmi, kachľami alebo inými zdrojmi vznietenia.
  - Zariadenie musí byť uskladnené takým spôsobom, aby sa predišlo mechanickému poškodeniu.
  - Jednotlivci, ktorí prevádzkujú alebo pracujú na chladiacom obvode musia mať vhodný certifikát, vydaný akreditovanou organizáciou, ktorá zabezpečuje kompetenciu pri manipulácii s chladivami podľa špecifického vyhodnotenia asociáciami v priemysle.
  - Opravy sa musia vykonať na základe odporúčania od výrobnnej spoločnosti. Údržba a oprava, ktorá vyžaduje asistenciu iného skúseného personálu by sa mala vykonávať za dozoru osoby kompetentnej na používanie horľavých chladív. Údržba a opravy, ktoré vyžadujú asistenciu iného kvalifikovaného personálu sa musia vykonať pod dohľadom osoby, špecifikovanej v súvislosti s použitím horľavých chladív.
- Batérie**
- Batériu nevystavujte vysokým teplotám ani priamemu slnečnému žiareniu. Batérie nikdy nehádzte do ohňa. Hrozí nebezpečenstvo výbuchu!
  - Batérie uchovávajte mimo dosahu detí. Batérie nie sú hračka!

- Batérie neotvárajte násilím.
- Vyhýbajte sa kontaktu s kovovými predmetmi. (Podložky, klince, skrutky atď.) hrozí nebezpečenstvo skratu!
- V dôsledku skratu sa batérie môžu výrazne zahriať alebo dokonca vznietiť. môže to spôsobiť popáleniny.
- Pre vašu vlastnú bezpečnosť by mali byť póly batérie počas prepravy zakryté lepiacimi páskami.
- Nedotýkajte sa prasknutej a/alebo vytekajúcej batérie. Ak sa vám kvapalina z batérie dostane do očí, čo najskôr si oči vypláchnite čistou vodou bez toho, aby ste si oči pretierali. Okamžite choďte do nemocnice. Ak nedôjde k riadnemu ošetrovaniu, o očami môžu nastať problémy.
- Batériu nepožívajte. Nebezpečenstvo chemických popálenín;
- Tento výrobok obsahuje plochú/gombíkovú batériu. Ak sa plochá/gombíková batéria prehltne, môže spôsobiť vážne vnútorné popáleniny už do 2 hodín a môže viesť k smrti.
- Ak sa prihradka na batérie bezpečne nezatvorí, prestaňte výrobok používať a držte ho mimo dosahu detí.

- Ak sa domnievate, že batérie mohli byť prehltnuté alebo sa dostať do ktorejkoľvek časti tela, okamžite vyhľadajte lekársku pomoc.
- Batérie obsahujú materiály, ktoré sú nebezpečné pre životné prostredie; pred vyradením spotrebiča sa musia z neho odstrániť a bezpečne zlikvidovať.

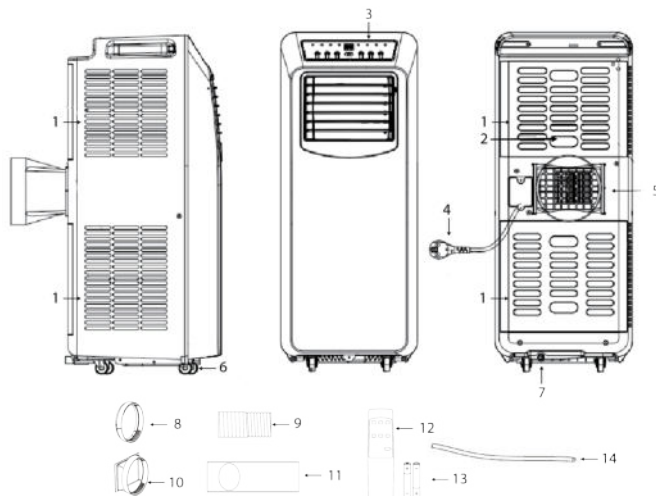
#### Chladiaca zmes

(CE) N 842/2006: Tento odvlhčovač obsahuje chladivo R290. Množstvo chladiva je menšie ako 1 kg a je v uzavretom chladiacom obvode. Chladivo má nulový potenciál uvoľňovania ozónu, ale podľa Kjótskeho protokolu patrí medzi takzvané skleníkové plyny a teda môže prispievať ku globálnemu otepľovaniu, ak sa uvoľní do atmosféry. Preto plnenie a vyprázdňovanie môžu vykonávať len školení technici s certifikátom týkajúcim sa chladiarenských zariadení. Vaše zariadenie sa nemusí plniť chladivom, ak sa správne používa a ak nemá poškodenú chladiacu jednotku. GWP: R290: 3

#### POPIS DIELOV

|                     |  |
|---------------------|--|
| 1. Prívod vzduchu   | 8. Hadicová prípojka (koniec okna)                 |
| 2. Vzduchový filter | 9. Hadica na odvod horúceho vzduchu                |
| 3. Ovládací panel   | 10. Hadicová prípojka (koniec klimatizácie)        |
| 4. Napájací kábel   | 11. Súprava na posúvanie okien + upevňovacie zátky |
| 5. Vývod vzduchu    | 12. Diaľkové ovládanie                             |

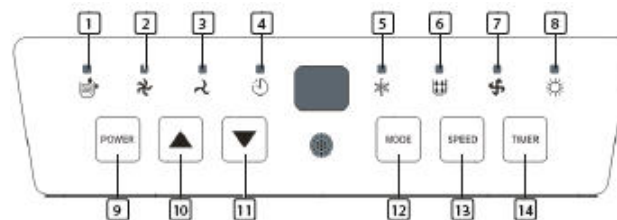
|                   |                     |
|-------------------|---------------------|
| 6. Kolesko        | 13. Batérie         |
| 7. Odtokový otvor | 14. Odtoková hadica |



## FUNKCIA OVLÁDACIEHO PANELA

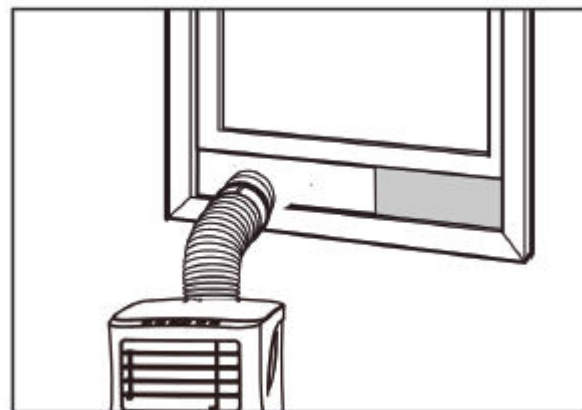
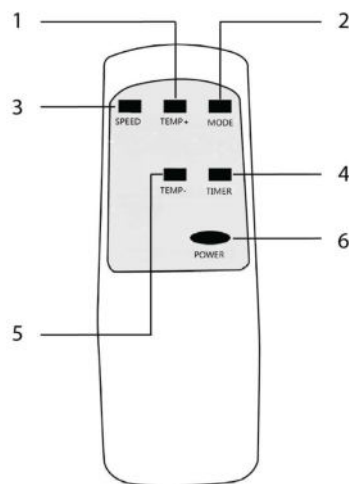
|   |                        |
|---|------------------------|
| 1. Indikátor maximálneho množstva vody    | 8. Indikátor tepla     |
| 2. Indikátor vysokej rýchlosti ventilácie | 9. Hlavný vypínač      |
| 3. Indikátor nízkej rýchlosti ventilácie  | 10. Tlačidlo teplota + |

|                           |   |
|---------------------------|---|
| 4. Indikátor časovača     | 11. Tlačidlo teplota -                        |
| 5. Indikátor chladenia    | 12. Tlačidlo režimu                           |
| 6. Indikátor odvlhčovania | 13. Tlačidlo nastavenia rýchlosti ventilátora |
| 7. Indikátor ventilátora  | 14. Tlačidlo zapnutia a vypnutia časovača     |



## DIAĽKOVÉ OVLÁDANIE

1. Tlačidlo zvýšenia teploty
2. Tlačidlo režimu
3. Tlačidlo nastavenia rýchlosti ventilátora
4. Tlačidlo časovača (zap/vyp)
5. Tlačidlo zníženia teploty
6. Tlačidlo napájania (zap/vyp)



## PRED PRVÝM POUŽITÍM

**Pred začatím činnosti v tejto sekcii:**

- Nájdiť miesto, kde je v blízkosti napájanie.
- Nainštalujte výstupnú hadicu a nastavte dobre pozíciu okna.
- Na súpravu okna sa musia namontovať dodané malé svorky.

- Vložte napájací kábel do uzemnenej zásuvky AC220~240V/50Hz.
- Stlačte hlavný spínač, čím sa klimatizácia zapne.
- Nastavte rozsah teploty: 16°C-31°C.
- Skontrolujte, či je výfuková hadica namontovaná správne.
- Keď používate funkcie na chladenie, ohrievanie a odvlhčovanie, medzi vypnutím a zapnutím napájania počkajte najmenej 3 minúty.

## POUŽÍVANIE

### Chladenie

- Stlačte tlačidlo „Mode“ (Režim), kým sa neobjaví ikona "Cool" (Chladiť).
- Stlačte ▲ alebo ▼ tlačidlo pre zvolenie požadovanej izbovej teploty.

- Nechajte približne 5 minút pre spustenie chladenia.
- Stlačte tlačidlo "fan speed" (rýchlosť ventilátora) pre nastavenie prietoku vzduchu.

#### Odvlhčovanie

- Stlačte tlačidlo "Mode" (režim), kým indikátor odvlhčovania bliká.
- Teplota sa zvolí automaticky.
- Rýchlosť ventilátora sa zvolí automaticky.

#### Ohrievanie

- Stlačte tlačidlo „mode“ (režim) dovtedy, kým sa nezobrazí ikona „Heat“ (Ohrievanie).
- Stlačte ▲ alebo ▼ tlačidlo pre zvolenie požadovanej izbovej teploty.
- Počkajte približne 5 minút na spustenie ohrievania.
- Stlačte tlačidlo "fan speed" (rýchlosť ventilátora) pre nastavenie prietoku vzduchu.

#### Použitie časovača

##### Nastavenie zapnutia časovača

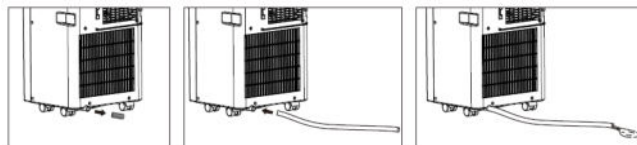
- Keď je klimatizácia VYP, stlačte tlačidlo "Timer" (časovač) a zvolte požadované ZAP času a nastavte používanie tlačidiel teploty.
- ZAP času je možné nastaviť kedykoľvek v rozsahu 0-24 hodín.

##### Nastavenie vypnutia časovača

- Keď je klimatizácia ZAP, stlačte tlačidlo "Timer" (časovač) a zvolte požadované VYP času a nastavte používanie tlačidiel teploty.
- VYP času je možné nastaviť kedykoľvek v rozsahu 0-24 hodín.

#### Vypúšťanie

- Po predĺženej prevádzke pred uskladnením bude potrebné vypustiť vodu, ktorá sa nazbierala. Pripravte vhodné miesto alebo nádobu na zbieranie vody a odstráňte gumovú zátku z vypúšťacieho otvoru v spodnej časti jednotky. Voda potom začne vytekať. Potom, ako sa toto zastaví, môžete založiť vypúšťaciu zátku.
- Môžete pripojiť odtokovú hadicu, ktorá umožní nepretržitý odtok vody. Odstráňte gumovú zátku a pripojte vhodnú hadicu. Túto hadicu je potrebné nasmerovať von alebo do vhodného odtoku. Majte na pamäti, že voda bude prúdiť smerom nadol a nikdy nie smerom nahor.

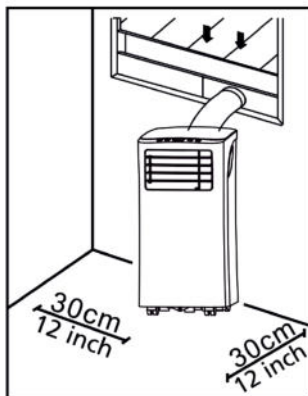


#### Funkcia alarmu plnej vnútornej nádrže na vodu

- Vnútorná nádrž na vodu v klimatizácii má bezpečnostný spínač jednej hladiny vody, ktorý ovláda hladinu vody. Keď hladina vody dosiahne očakávanú výšku, indikátor naplnenia vodou sa rozsvieti. Pre vypustenie vody postupujte podľa krokov vyššie.

## INŠTALÁCIA

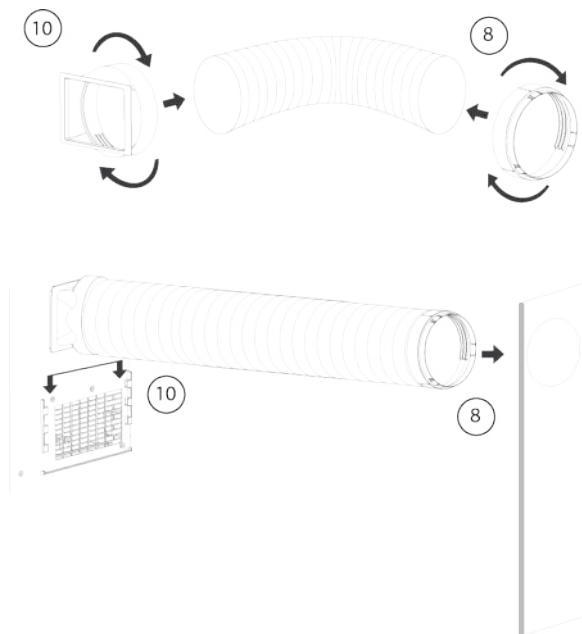
- Klimatizácia by mala byť nainštalovaná na rovnom a stabilnom povrchu. Neblokujte výstup vzduchu a okolo jednotky nechajte aspoň 30 cm voľného priestoru.



- Zapojenie zásuviek by malo byť v súlade s miestnymi požiadavkami na elektrickú bezpečnosť.

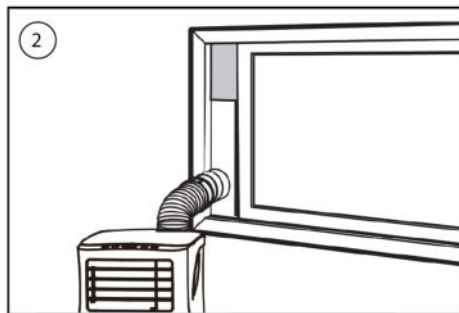
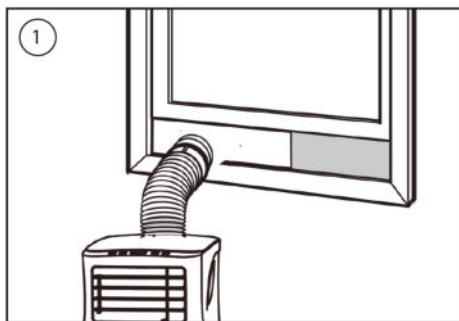
#### Inštalácia výfukovej hadice

- Oba konce hadice na odvod horúceho vzduchu (9) zakrúťte do koncovky hadice okna(8) a koncovky hadice klimatizácie(10).
- Zasuňte koniec hadicovej spojky klimatizácie (10) do otvorov na zadnej strane klimatizácie.
- Upevnite koncovku hadicového konektora okna (8) na najbližší parapet.



#### Inštalácia súpravy okenného posúvača

- Nastavte šírku (obrázok 1) alebo výšku (obrázok 2) okenného posúvača(11) tak, aby zodpovedal okennému otvoru, a zafixujte polohu okenného posúvača (11) pomocou upevňovacích zátok.
- Posuňte okno nahor na posuvník.



## ČISTENIE A ÚDRŽBA

- Pred čistením odpojte jednotku od akéhokoľvek elektrického napájania.
- Najprv vyčistite povrch neutrálnym saponátom a vlhkou utierkou a potom utrite suchou utierkou.
- Na čistenie jednotky nepoužívajte gazolín alebo iné chemikálie.
- Jednotku priamo neumývajte.

### Vzduchový filter

- Vzduchový filter by sa mal čistiť raz každé dva týždne.
- Otvorte mriežku prívodu vzduchu a vyberte vzduchový filter.
- Vyčistite vzduchový filter neutrálnym čistiacim prostriedkom vo vlažnej vode s teplotou 40 °C a nechajte ho vyschnúť (nie na priamom slnečnom svetle).
- Znova nainštalujte vzduchový filter do prírodnej mriežky.

## RIEŠENIE PROBLÉMOV

| Problémy   | Možné príčiny  | Navrhovaná náprava  |
|--|--|---|
| Jednotka sa nespustí, keď stlačíte tlačidlo napájania. | <ul style="list-style-type: none"> <li>Indikátor naplnenia vodou bliká a nádoba na vodu je plná.</li> <li>Teplota v miestnosti je vyššia ako nastavená teplota. (Režim elektrického ohrevu)</li> <li>Teplota v miestnosti je nižšia, ako nastavená teplota. (Režim chladenia)</li> </ul> | <ul style="list-style-type: none"> <li>Vodu vypustíte v nádoby na vodu.</li> <li>Nastavte teplotu.</li> </ul> |

|  |  |   |
|--|--|---|
| Jednotka nechladí dostatočne.          | <ul style="list-style-type: none"> <li>Dvierka alebo okná nie sú zavreté.</li> <li>Vnútri miestnosti sú zdroje tepla.</li> <li>Hadica výstupu horúceho vzduchu nie je pripojená alebo je zablokovaná.</li> <li>Nastavenia teploty sú príliš vysoké.</li> <li>Prívod vzduchu je zablokovaný.</li> </ul> | <ul style="list-style-type: none"> <li>Ubezpečte sa, či sú všetky okná a dvere zavreté.</li> <li>Odstráňte zdroje tepla, ak je to možné.</li> <li>Pripojte alebo vyčistite hadicu výstupu horúceho vzduchu.</li> <li>Resetujte teplotu.</li> <li>Vyčistite prívod vzduchu.</li> </ul> |
| Automatické vypínanie v režime ohrevu. | <ul style="list-style-type: none"> <li>Ochrana vyhrievania zabezpečí, že keď teplota na výstupe vzduchu prekročí 70 stupňov, jednotka bude automaticky vypnutá.</li> </ul>   | <ul style="list-style-type: none"> <li>Nechajte teplotu miestnosti vychladnúť predtým, ako sa jednotka reštartuje.</li> </ul>   |



|            |   |   |
|------------|---|---|
| Hlučné.    | <ul style="list-style-type: none"> <li>Podlaha nie je vyrovnaná alebo nie je dostatočne plochá.</li> <li>Zvuk vydáva od prietoku chladiča vnútri klimatizácie.</li> </ul> | <ul style="list-style-type: none"> <li>Jednotku dajte na plochý, rovný povrch, ak je to možné.</li> </ul> |
| Kód E0.    | <ul style="list-style-type: none"> <li>Senzor izbovej teploty zlyhal.</li> </ul>  | <ul style="list-style-type: none"> <li>Vymeňte senzor izbovej teploty.</li> </ul>                         |
| Kód E2/E4. | <ul style="list-style-type: none"> <li>Nádrž na vodu je plná</li> </ul>   | <ul style="list-style-type: none"> <li>Vyprázdnite nádobku na vodu.</li> </ul>                            |

## TABUĽKA AC-5560

|  |               |                |                 |
|--|---------------|----------------|-----------------|
| Požiadavky na informácie pre jedno- a dvojkanálové klimatizačné zariadenia             |               |                | P               |
| Informácie na identifikáciu modelu (modelov), na ktorý (ktoré) sa informácie vzťahujú: |               |                |                 |
| <b>Opis</b>  | <b>Symbol</b> | <b>Hodnota</b> | <b>Jednotka</b> |
| Menovitý chladiaci výkon   | Predpísané    | 2,9            | kW              |

|  |               |   |                 |
|--|---------------|---|-----------------|
| Menovitý výkon pre vykurovanie   | Predpísané    | 2,7   | kW              |
| Menovitý chladiaci príkon  | Peer          | 1,115   | kW              |
| Menovitý príkon pre vykurovanie  | Pcop          | 1,173   | kW              |
| Spotreba energie v režime vypnutého termostatu   | Pto           | Irelevantné                                     | W               |
| Spotreba energie v pohotovostnom režime  | Psb           | 0,5   | W               |
| Spotreba energie vo vypnutom stave   | Poff          | Irelevantné                                     | W               |
| Spotreba energie v režime ohrievania kľukovej skrine   | Pck           | Irelevantné                                     | W               |
| Informácie na identifikáciu modelu (modelov), na ktorý (ktoré) sa informácie vzťahujú:   |               |   |                 |
| <b>Opis</b>  | <b>Symbol</b> | <b>Hodnota</b>                                  | <b>Jednotka</b> |
| Menovitý pomer energetickej účinnosti  | EERrated      | 2,60  |                 |
| Menovitý koeficient účinnosti  | COPrated      | 2,3   |                 |
| Spotreba elektrickej energie jednokanálových/dvojkanálových spotrebičov (uvedte zvlášť pre chladenie a zvlášť pre vykurovanie) | Qsd           | SD: 1,15 (chladenie)<br>SD: 1,173 (vykurovanie) | kWh/h           |

SK

|  |     |             |       |
|--|-----|-------------|-------|
| Spotreba elektrickej energie dvojkanálového spotrebiča | Qdd | Irelevantné | kWh/h |
| Hladina akustického výkonu                             | Lwa | 65          | dB(A) |

## PRODUKT ALEBO ZARIADENIE OBSAHUJE FLUÓROVANÉ SKLENÍKOVÉ PLYNY.

|                                   |         |
|-----------------------------------|---------|
| Položka č.                        | AC-5560 |
| Chladiaca kvapalina:              | R290    |
| Množstvo v kg:                    | 0,215   |
| Potenciál globálneho otepľovania: | 3       |
| Ekvivalent CO2 v tonách:          | 0,0007  |

## PROSTREDIE



Toto zariadenie by sa nemalo dávať do domového odpadu po skončení životnosti, musí sa odovzdať v recyklačnom centre, kde sa recyklujú elektrické a elektronické domáce zariadenia. Tento symbol na spotrebiči, v návode na obsluhu a na obale upozorňuje na túto dôležitú skutočnosť. Materiály použité v tomto spotrebiči je možné recyklovať. Recykláciou použitých domácich

spotrebičov výraznou mierou prispievate k ochrane životného prostredia. Informácie o zberných miestach vám poskytnú miestne úrady.

Európska smernica pre batérie (2006/66/EC) hovorí, že ie je povolené zahadzovať batérie spolu s domovým odpadom. Môžu obsahovať látky, ktoré sú škodlivé pre životné prostredie. Vybité batérie môžete odovzdať na miestnych, verejných zberných miestach alebo v miestnom recyklačnom stredisku. Ak sa chcete vyhnúť prehriatiu v dôsledku skratu, lítiové batérie sa musia z produktu vybrať a póly sa musia chrániť pred skratom pomocou izolačnej pásky alebo nejakým iným spôsobom.

Všetky dostupné informácie a náhradné diely môžete nájsť na [www.tristar.eu!](http://www.tristar.eu!)





**WWW.TRISTAR.EU**

Tristar Europe B.V. | Swaardvenstraat 65  
5048 AV Tilburg | The Netherlands