

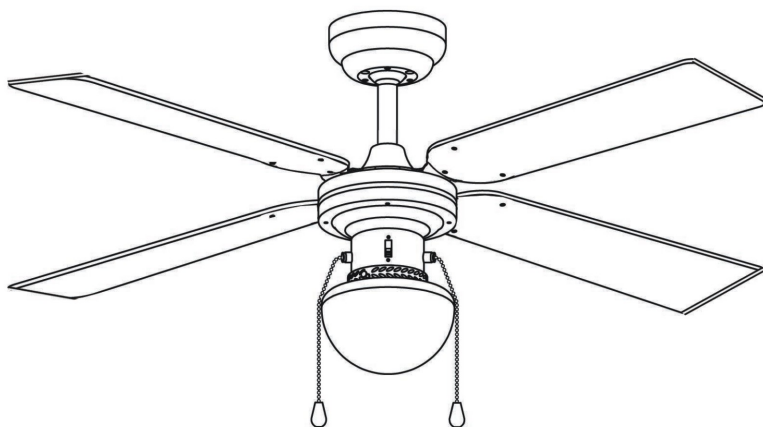
GLOBO

FAN

www.globo-lighting.com

0330

0330S



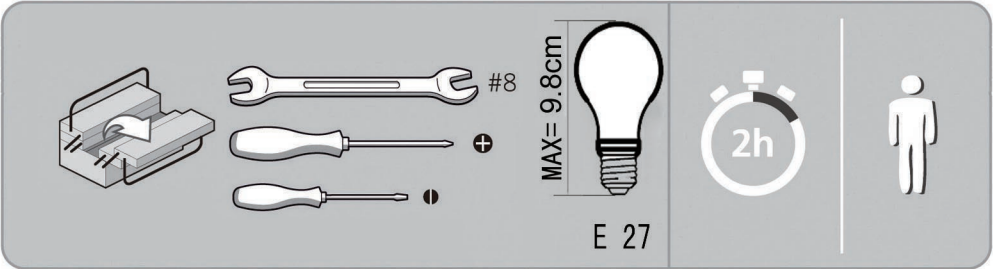
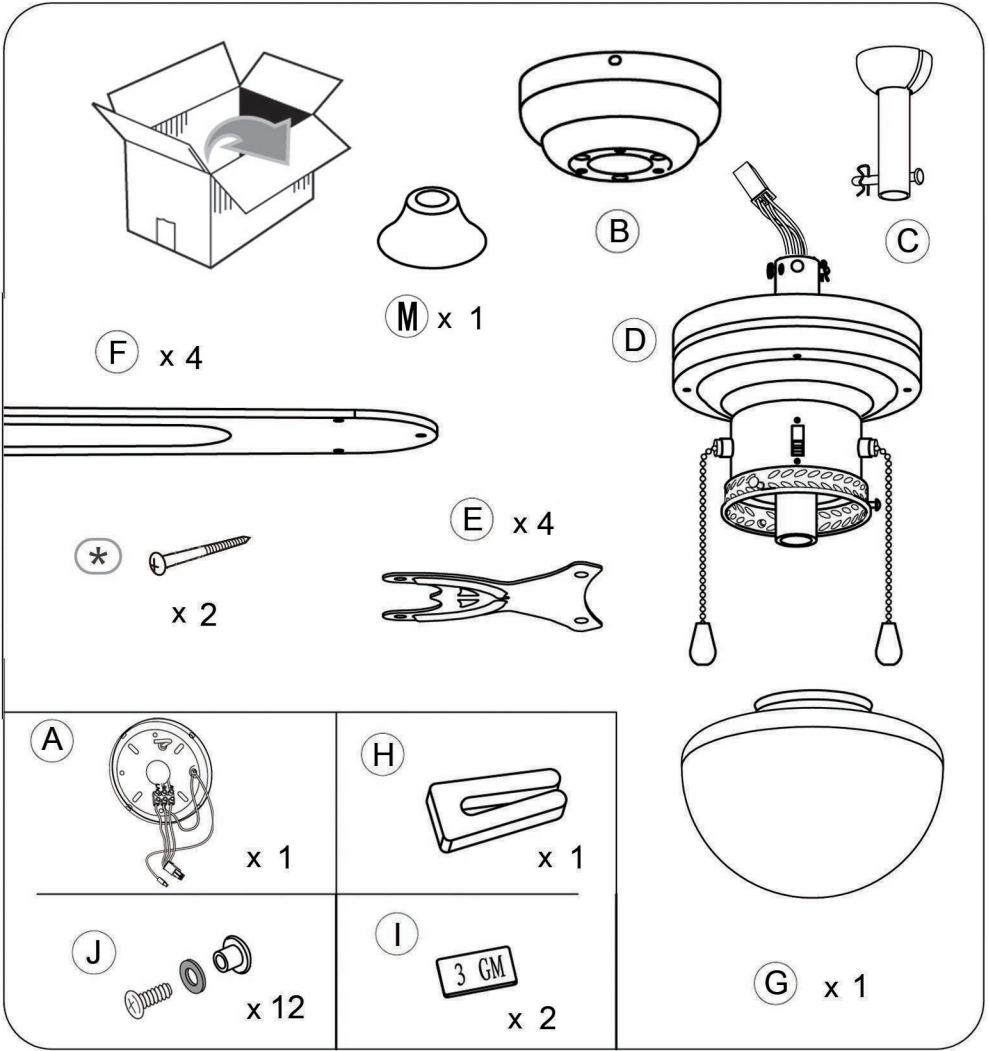
LHB42+1SCH
EINGANG: 220-240V~50Hz
MOTOR: 50W
BIRNE: 1 x max 60W E27 exkl.

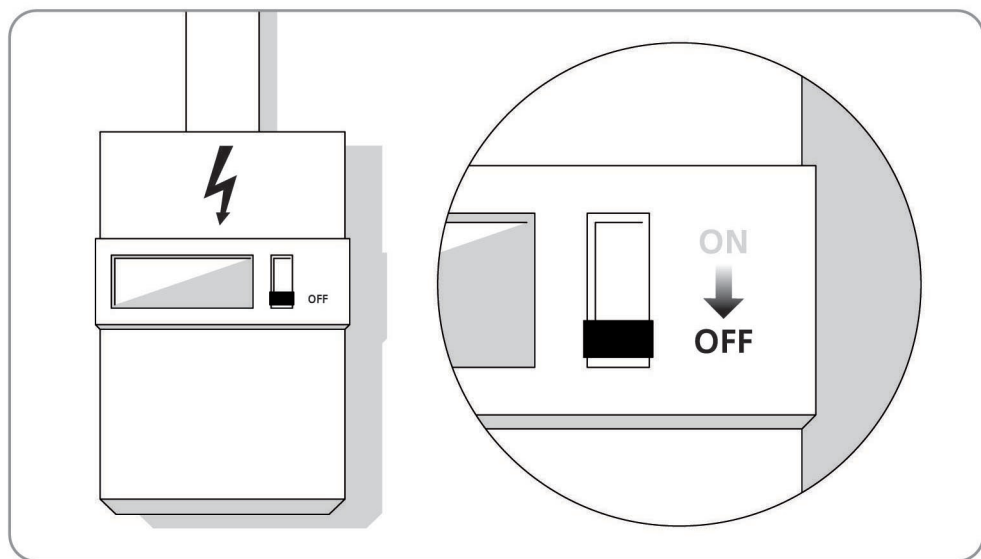
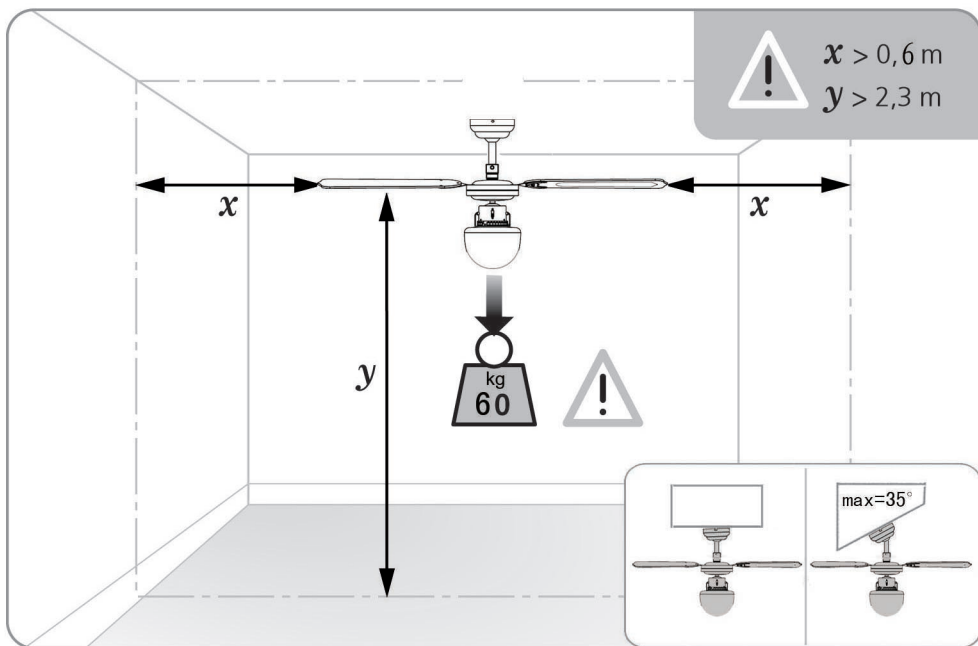
GLOBO Handels GmbH

St.Peter 38
A-9184 St.Jakob/Rosental

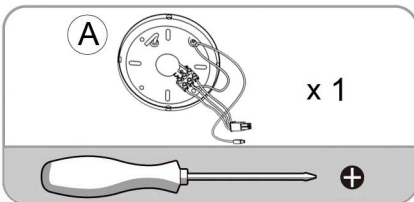
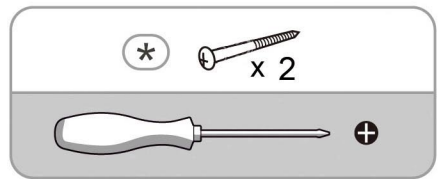
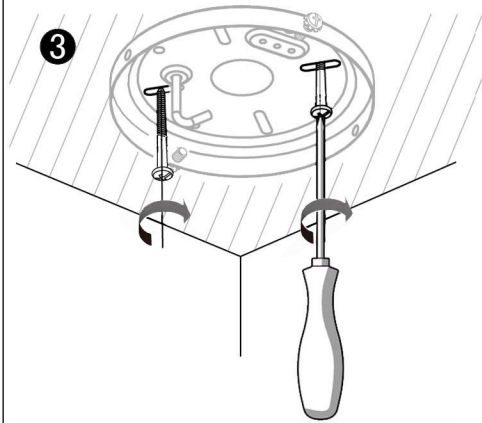
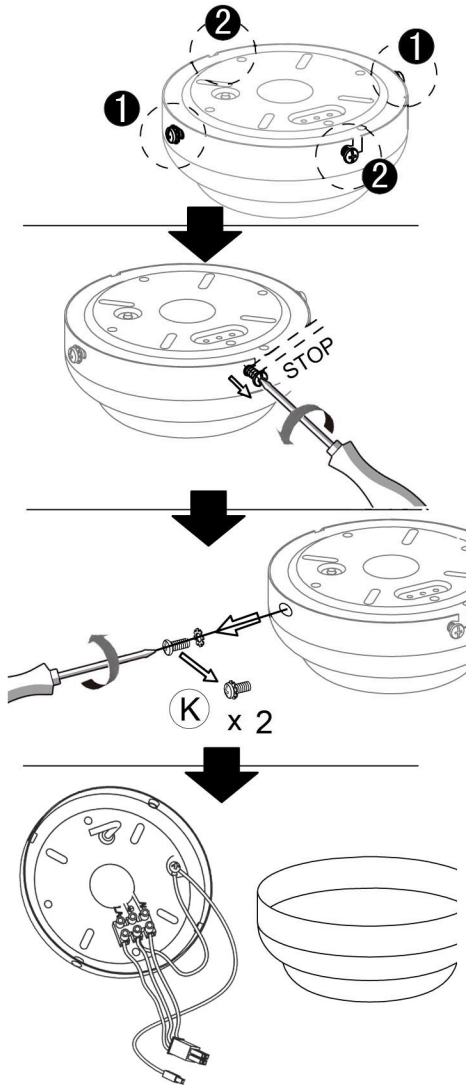
LHB42+1SCH
INPUT: 220-240V~50Hz
MOTOR: 50W
BULB: 1 x max 60W E27 exkl.



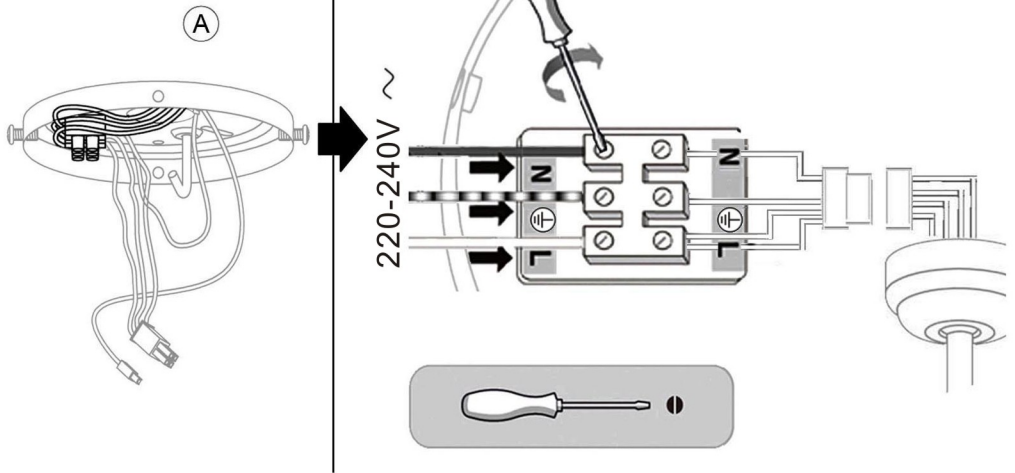




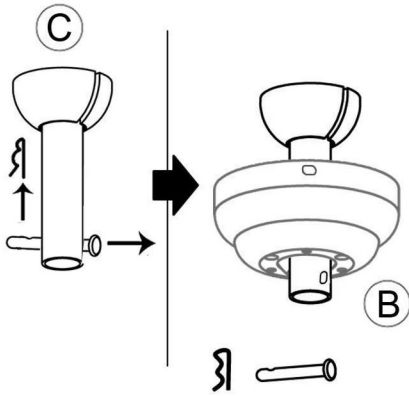
1



4



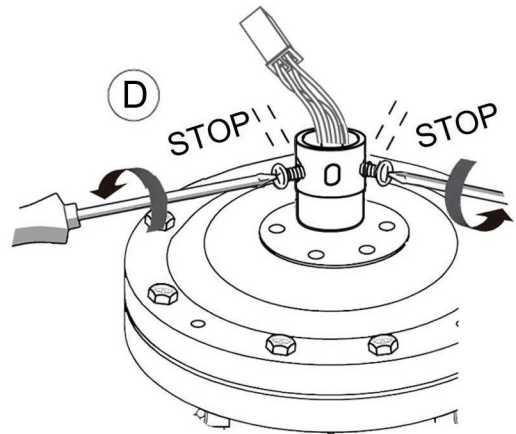
5



C

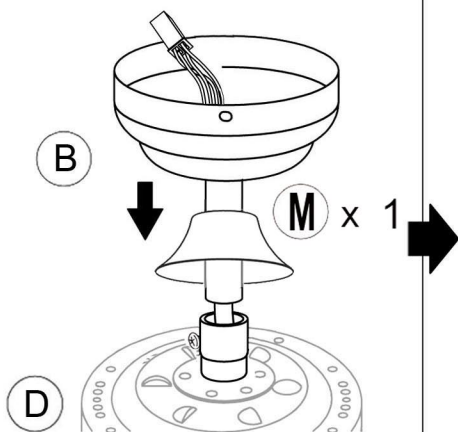


6

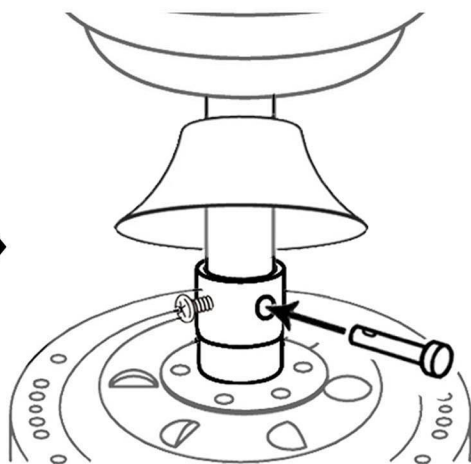


+

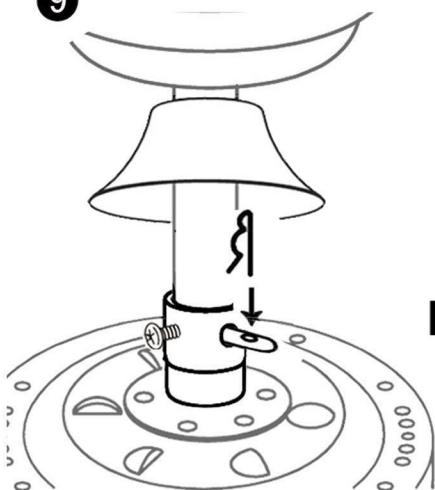
7



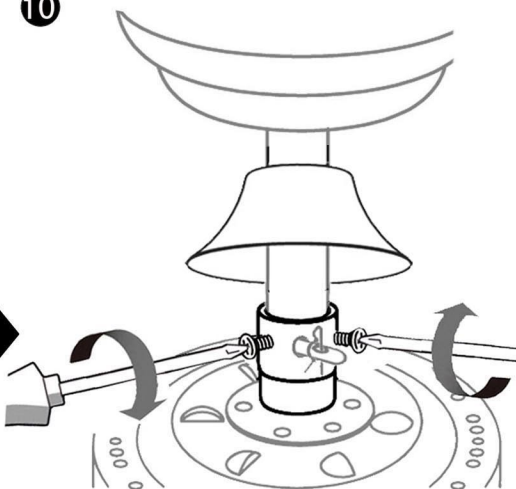
8



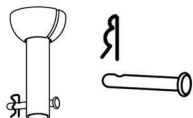
9



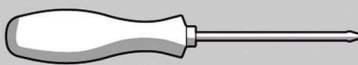
10



C



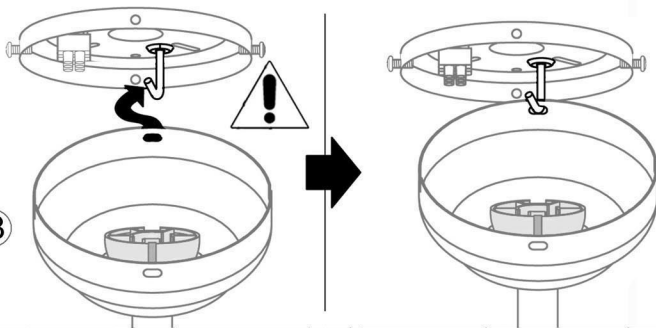
+



11

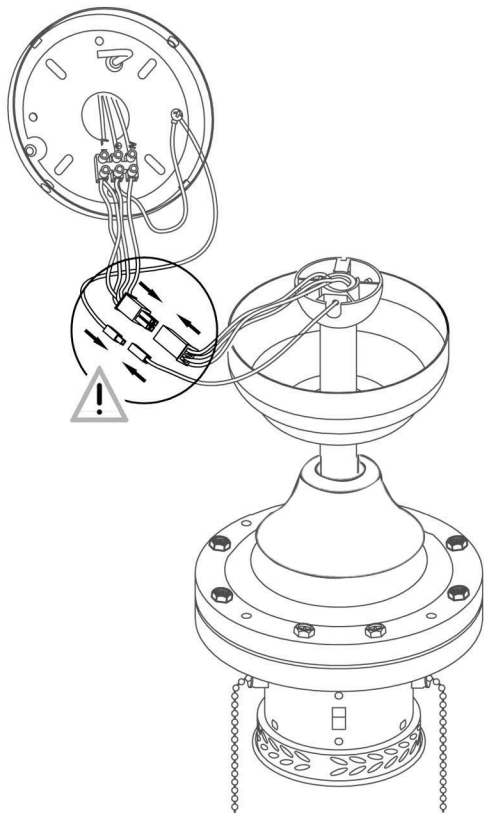
A

B

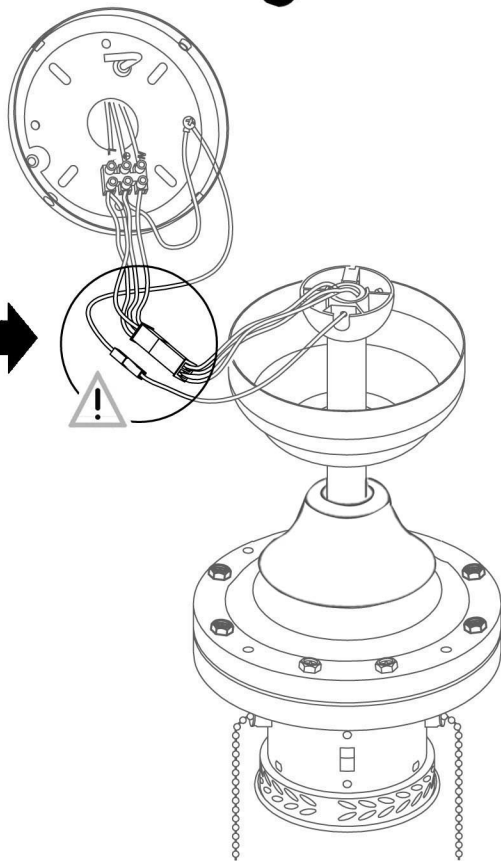


A

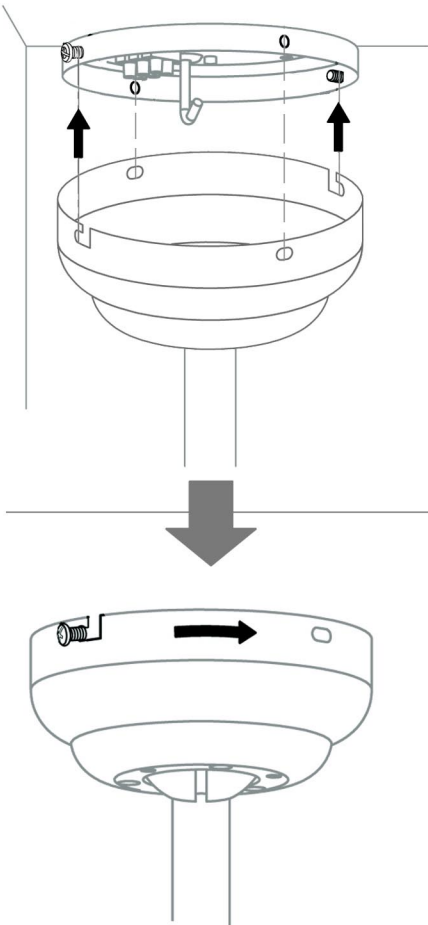
12



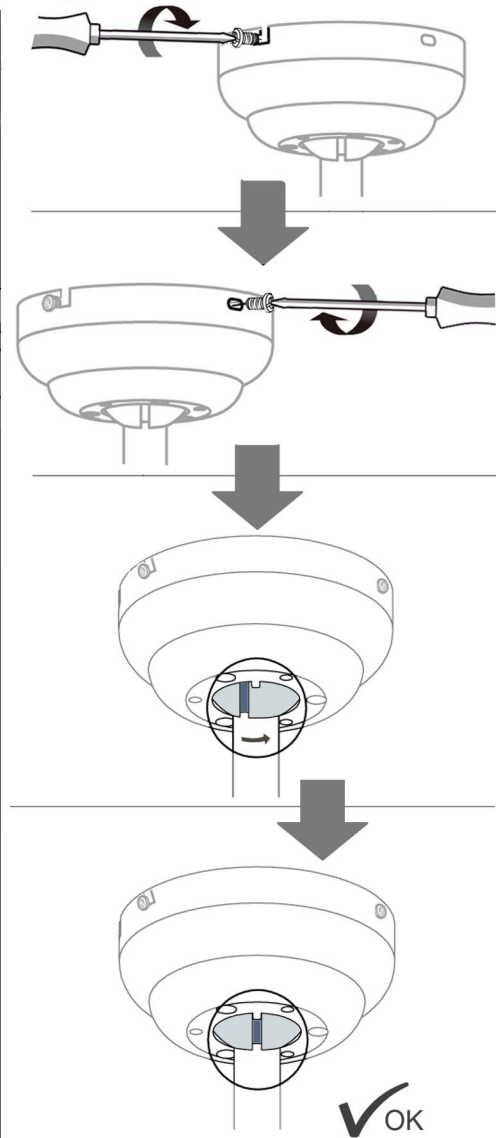
13



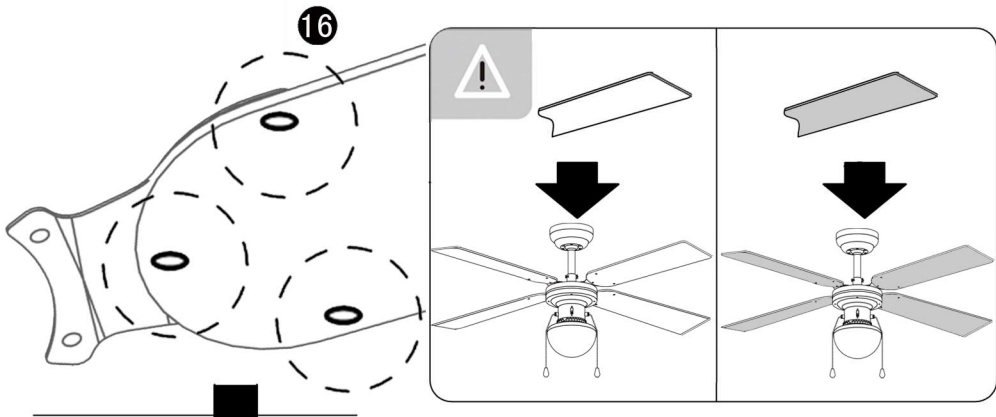
14



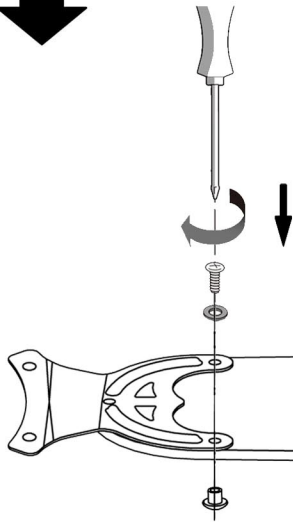
15



(K)  x2



16



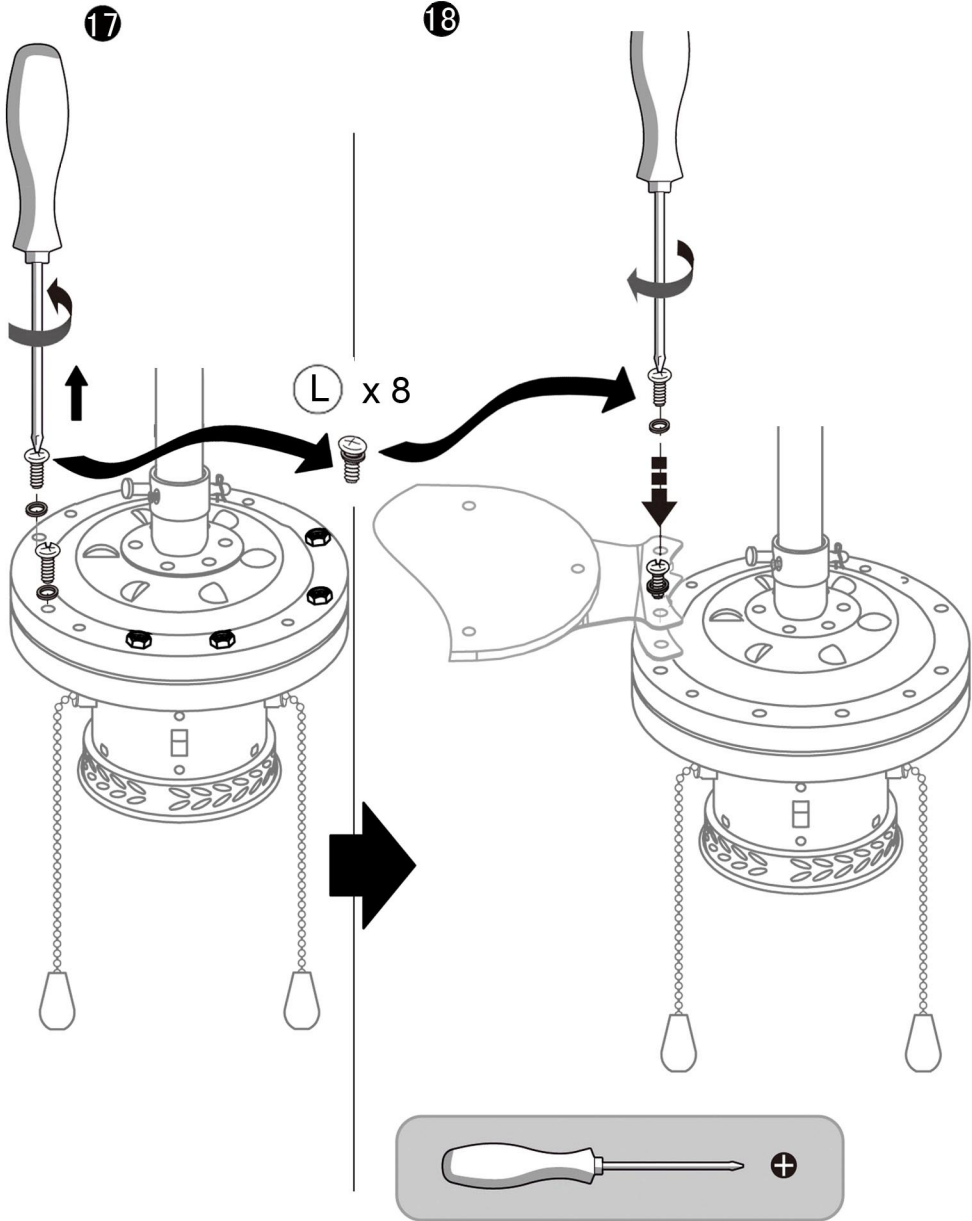
E x 4

J x 12

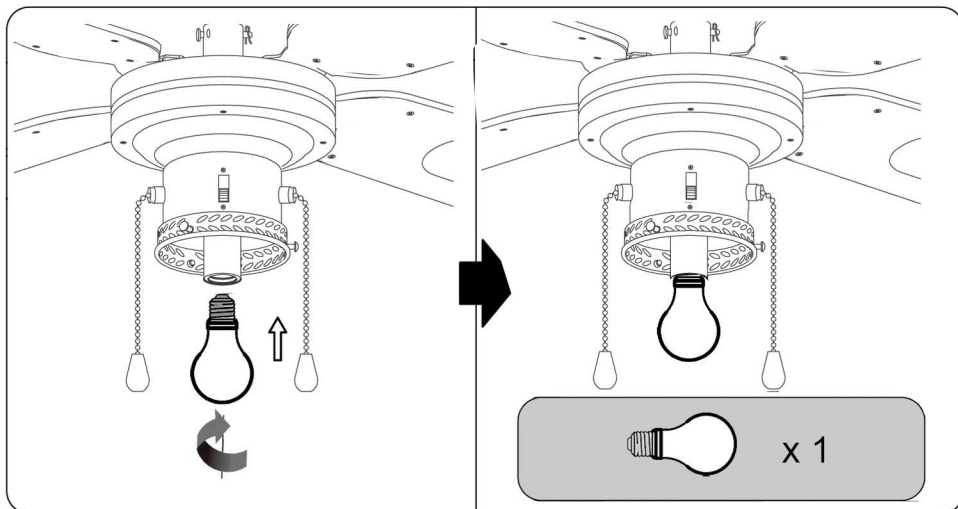
F x 4

#8

+



19



20

