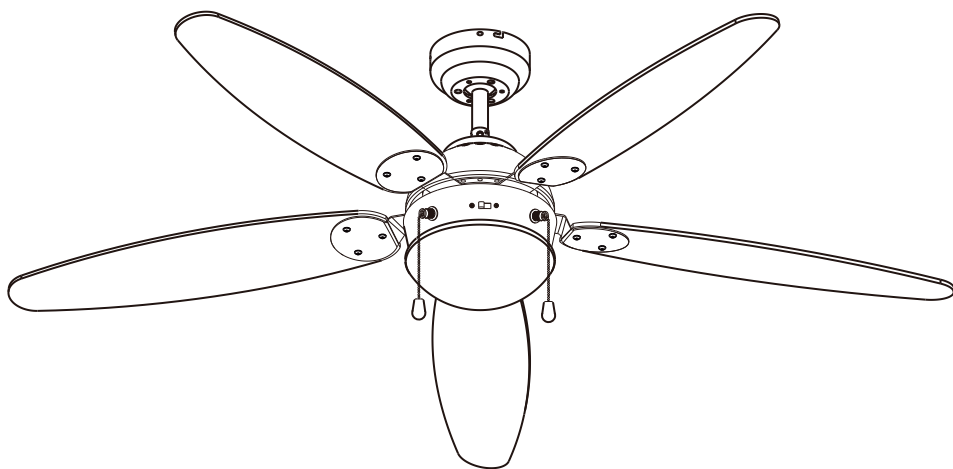


GLOBO

FAN

0308

www.globo-lighting.com



Globo Handels GmbH

Gewerbestraße 3

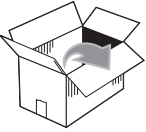
9184 St. Peter

AUSTRIA

office@globo-lighting.com

www.globo-lighting.com

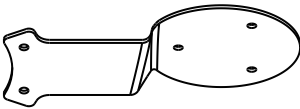




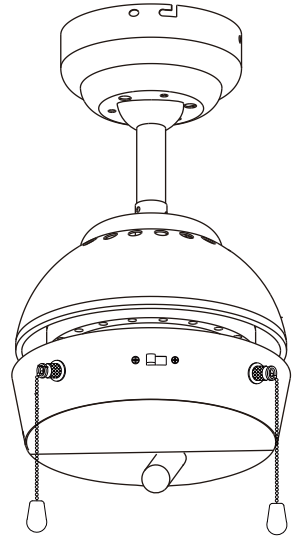
C x5



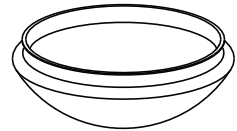
D x5



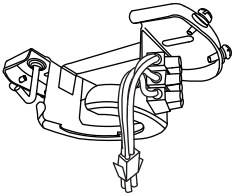
B



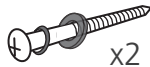
E x1



A



H



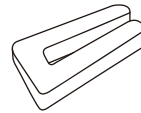
x2

N



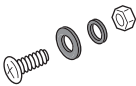
x5

M



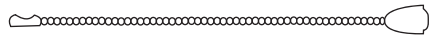
x1

F

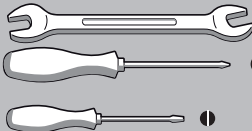
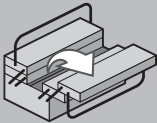


x15

G



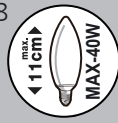
x2



#8

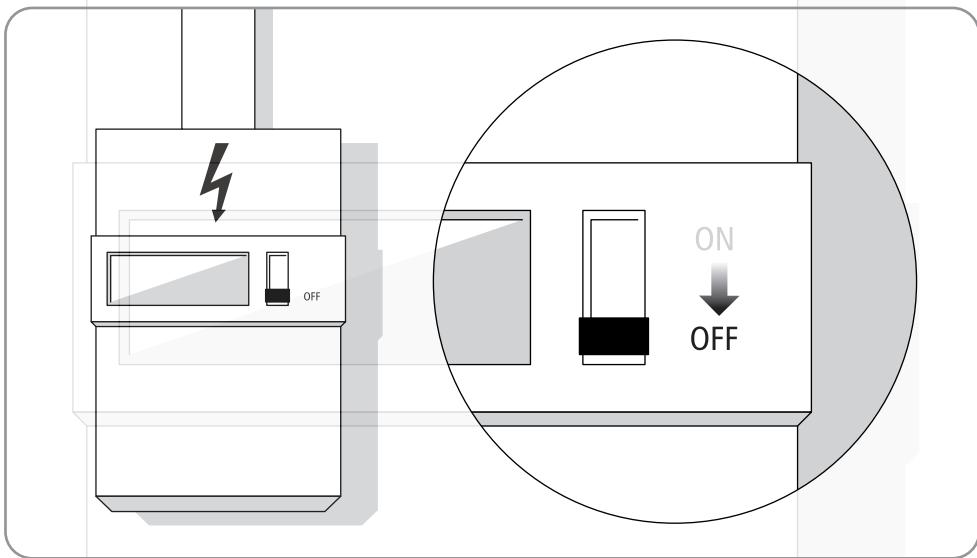
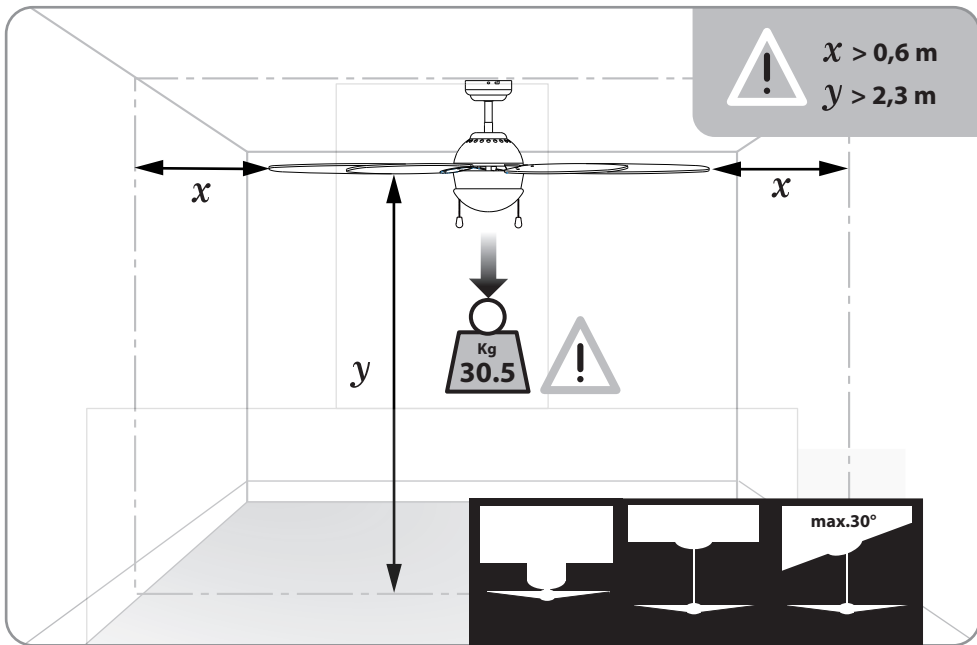
+

-

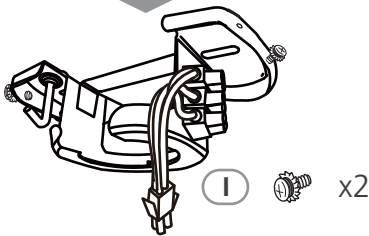
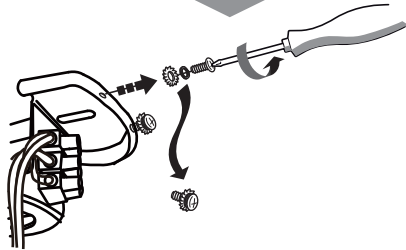
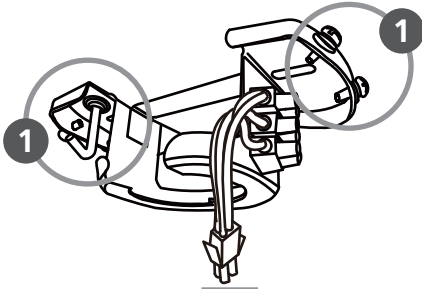


E 14





1

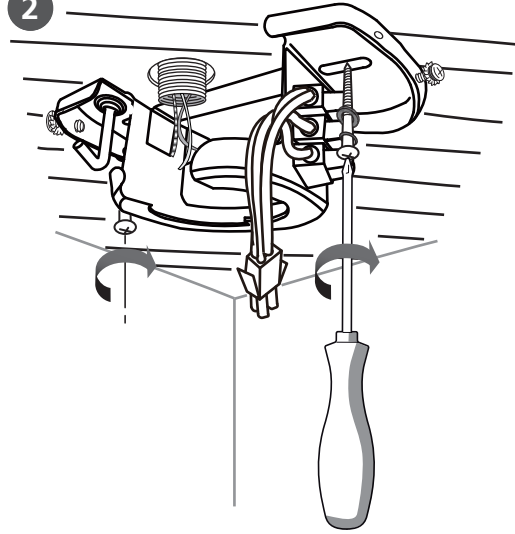


A



+

2



H

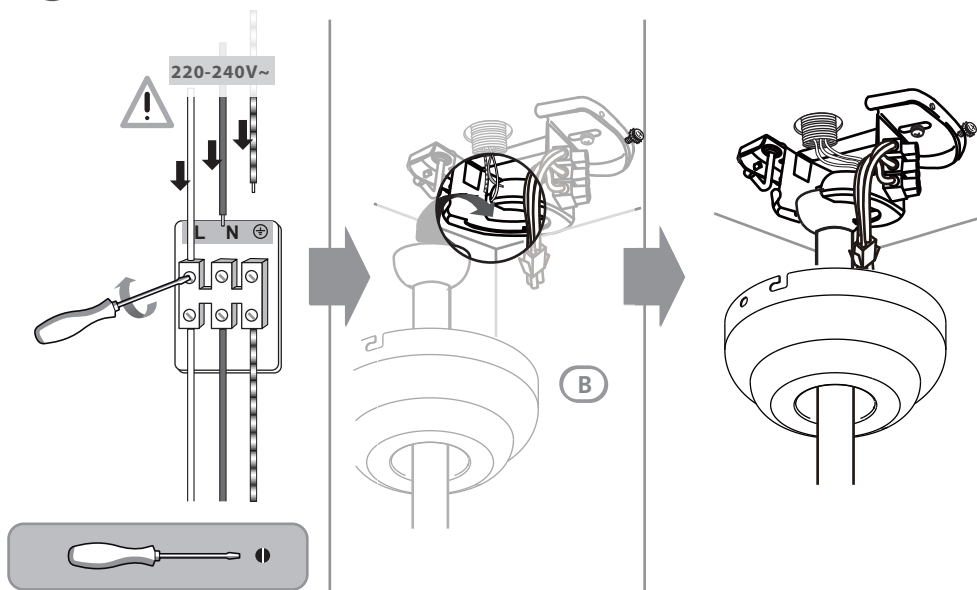


x2

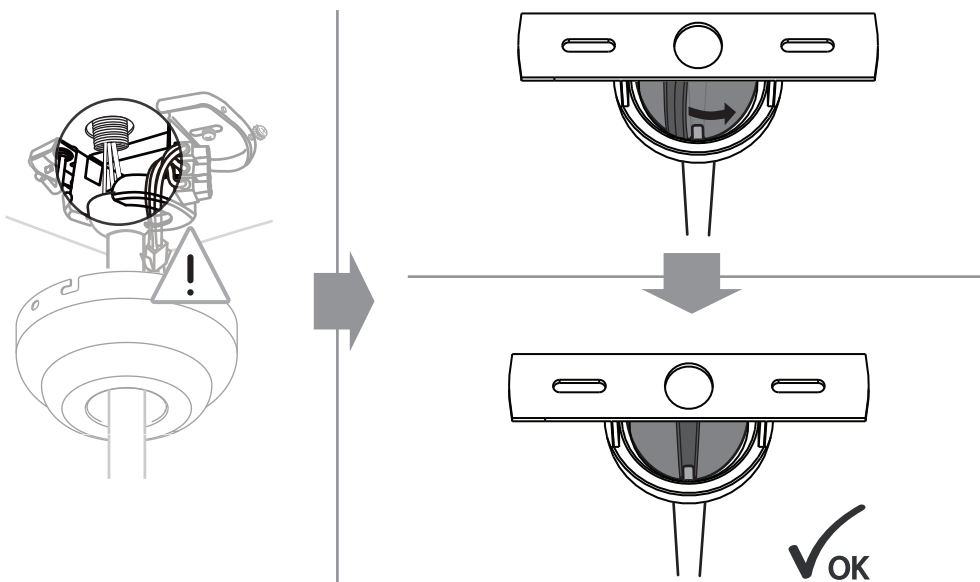


+

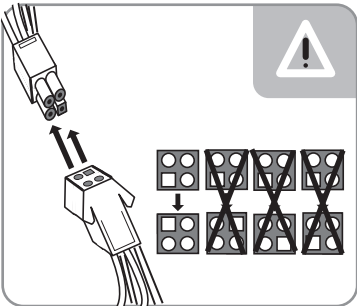
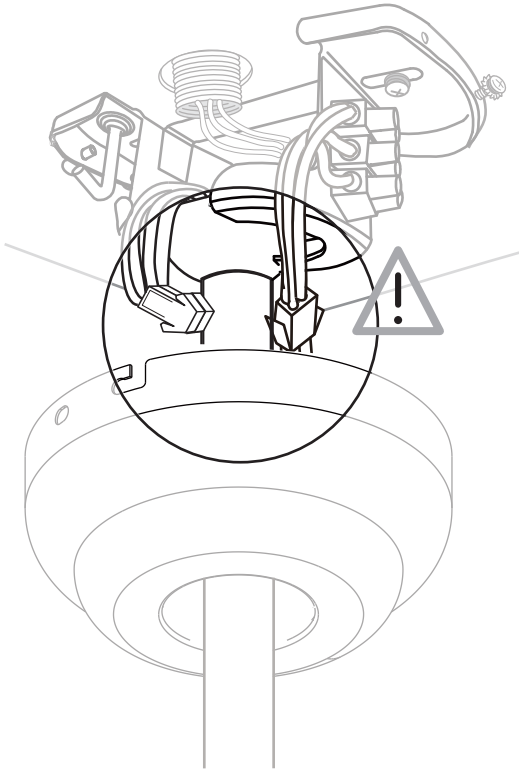
3



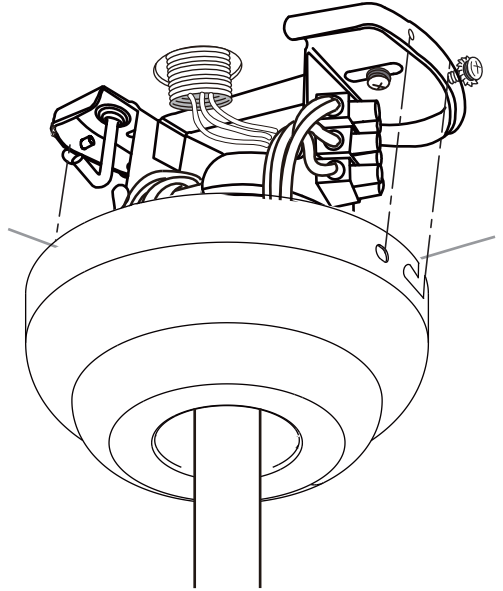
4



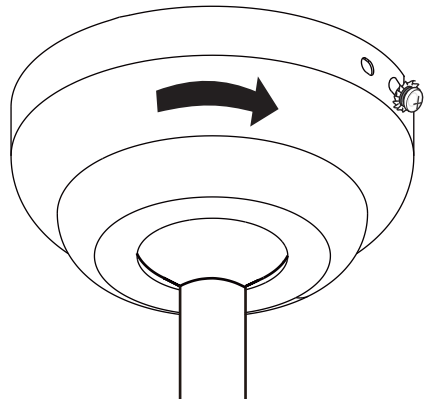
5

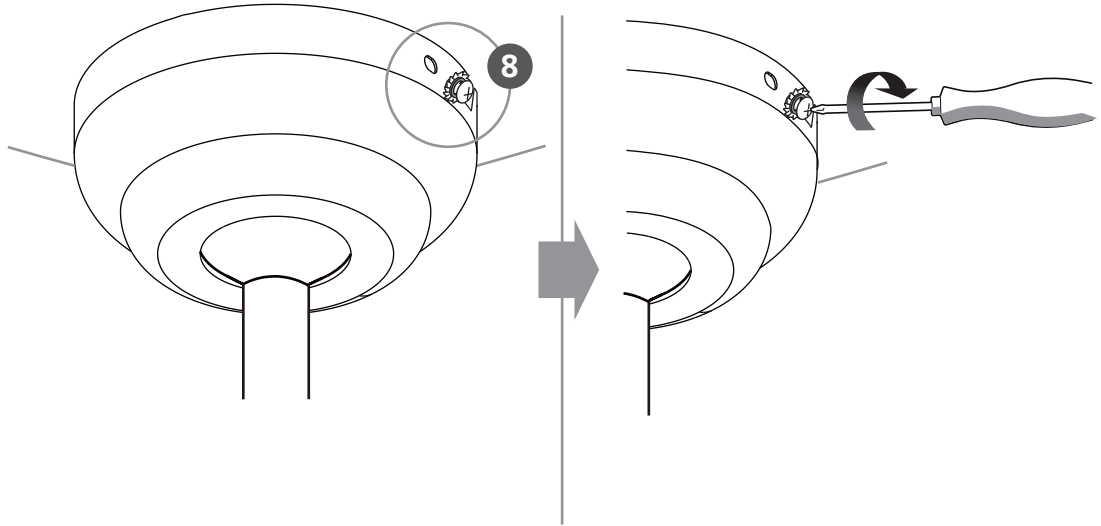


6

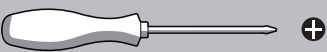
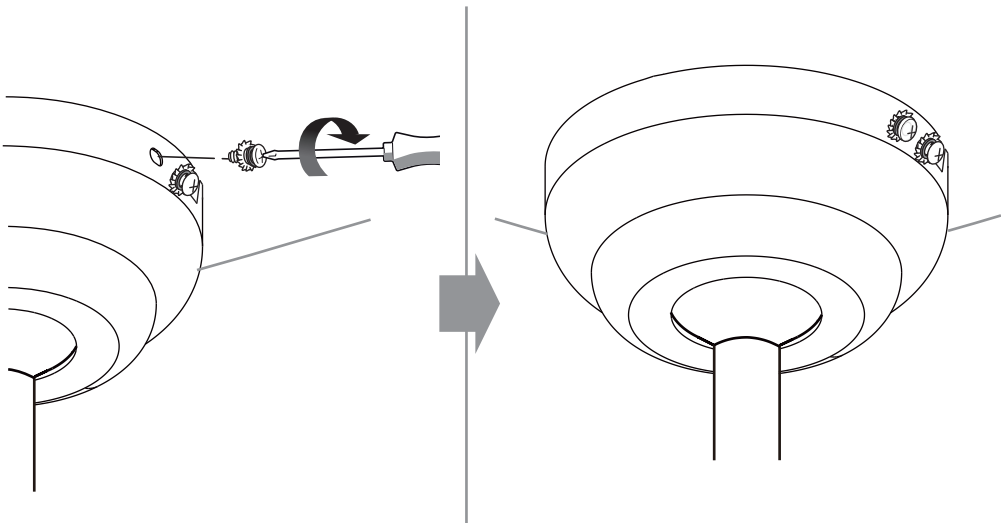


7

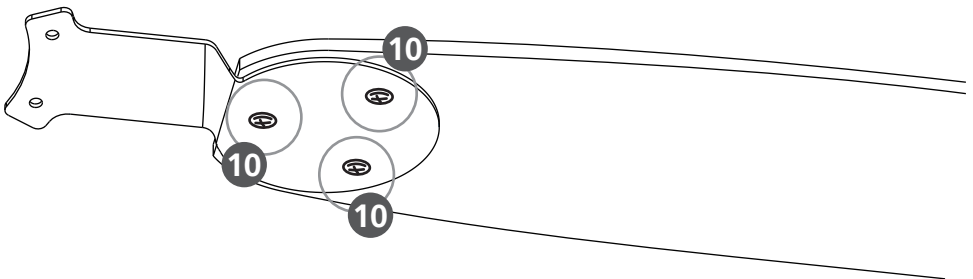
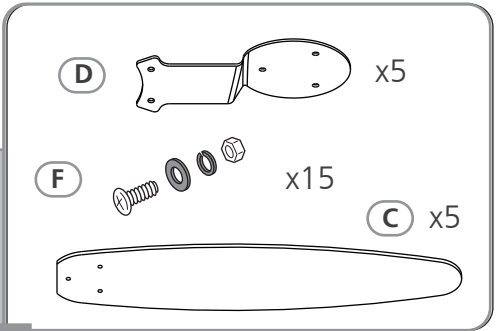
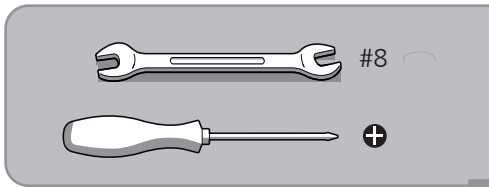
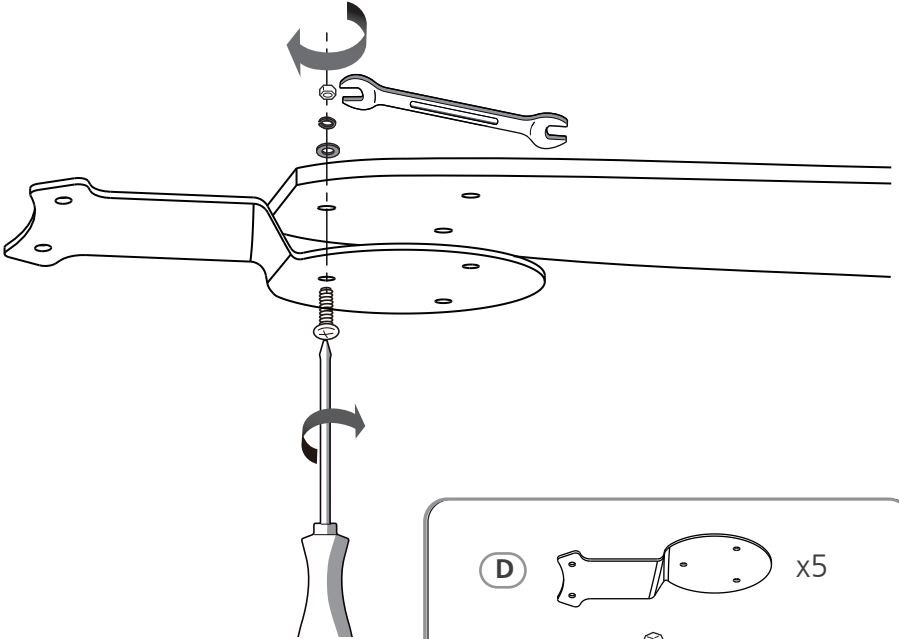




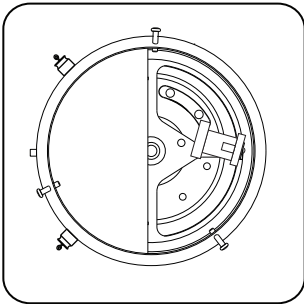
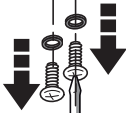
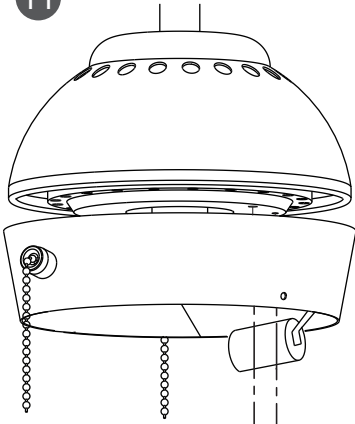
9



10



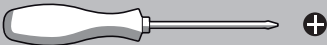
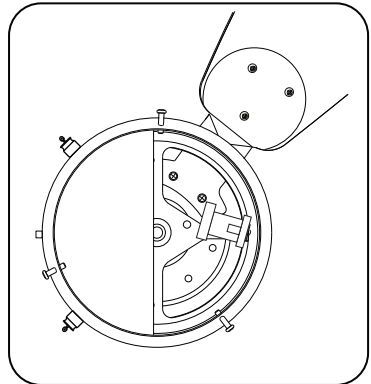
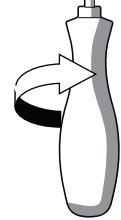
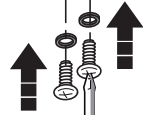
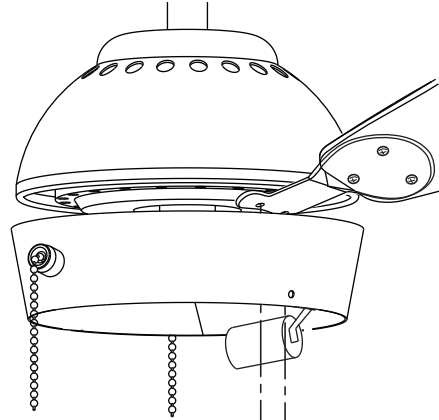
11



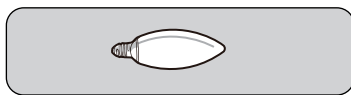
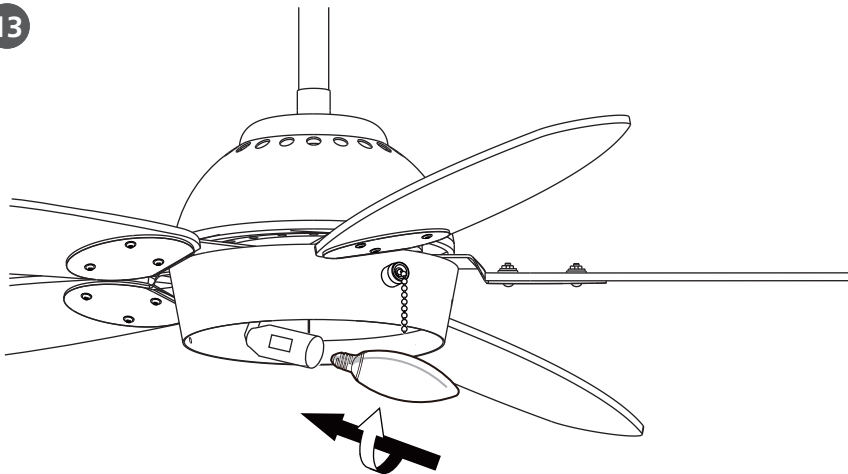
J x 10



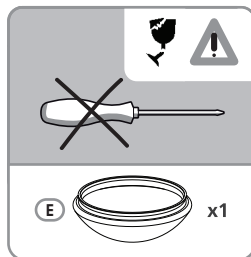
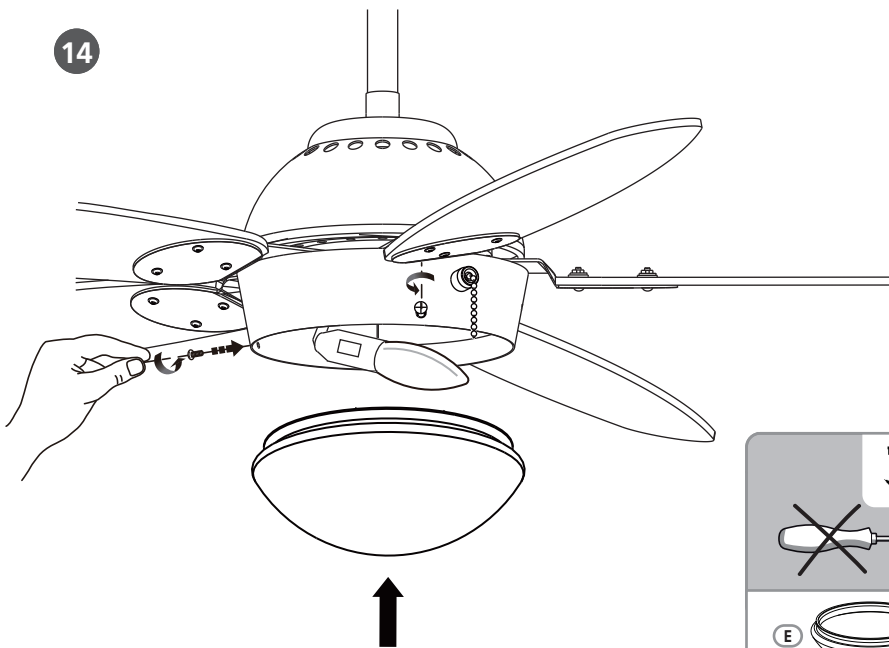
12

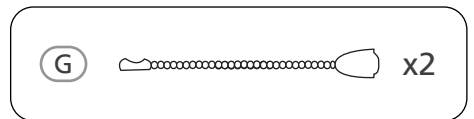
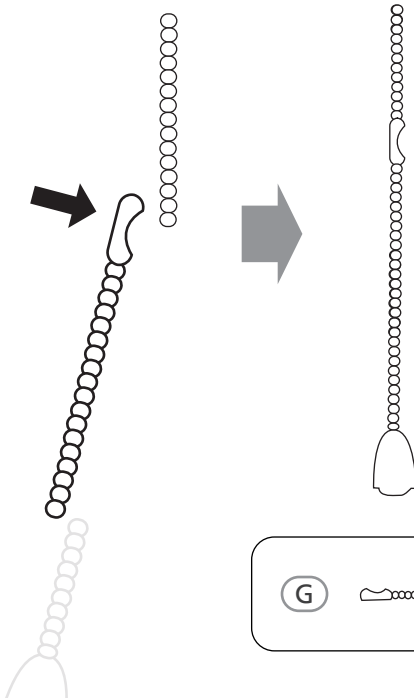
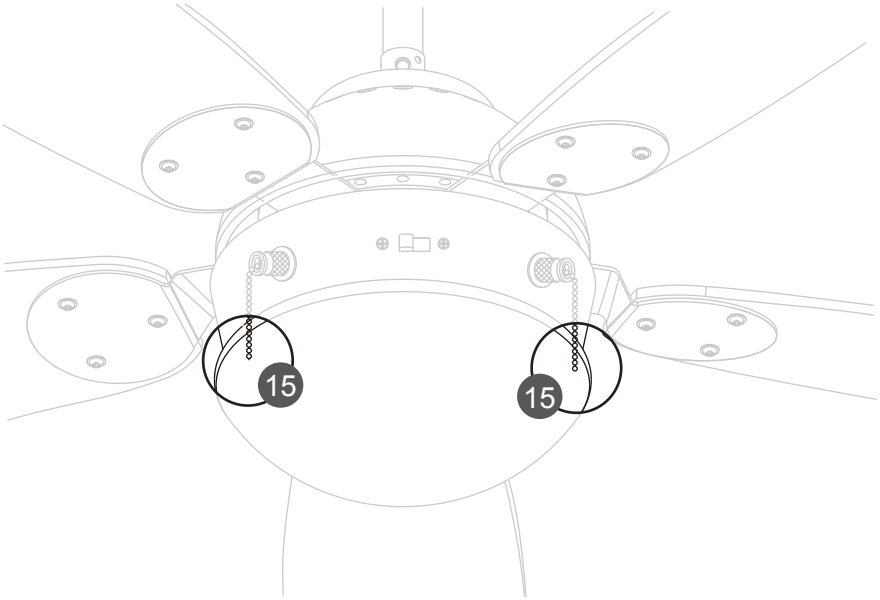


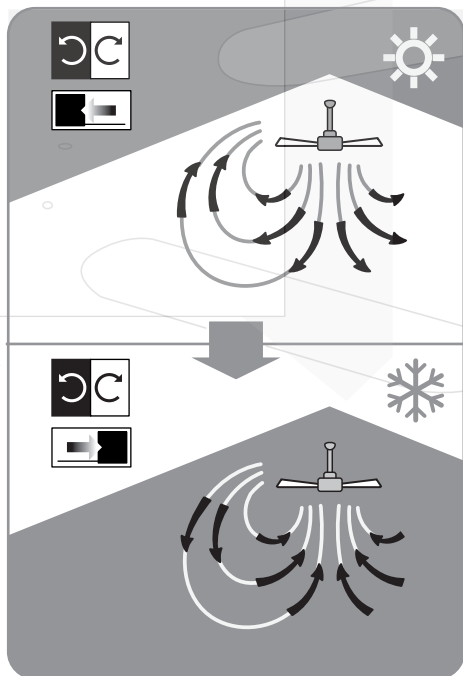
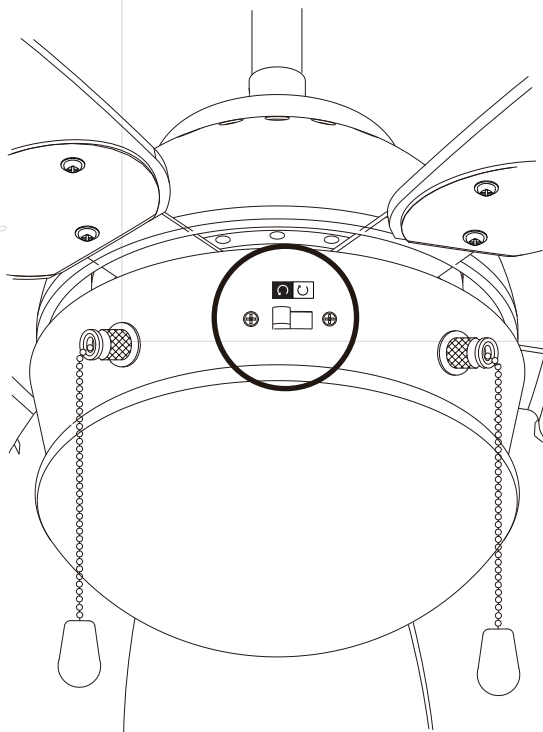
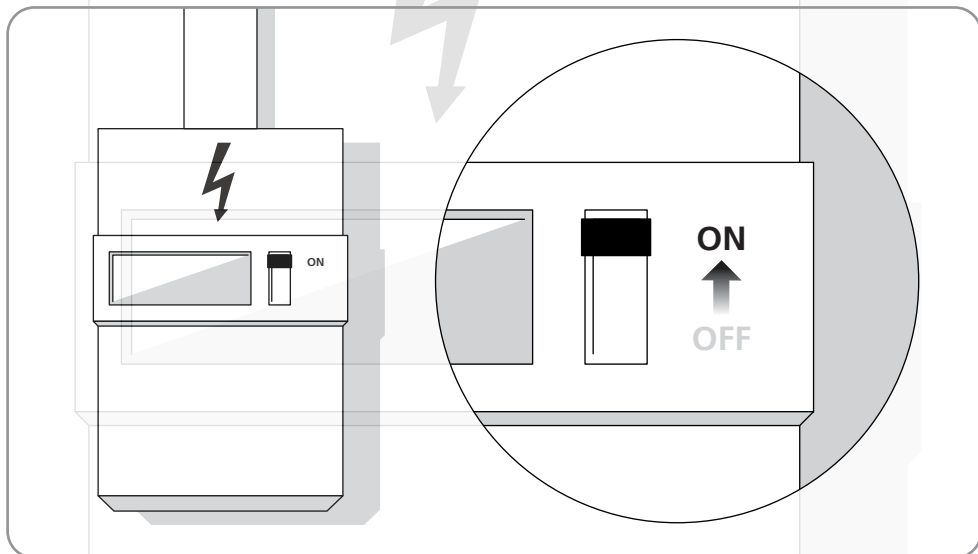
13

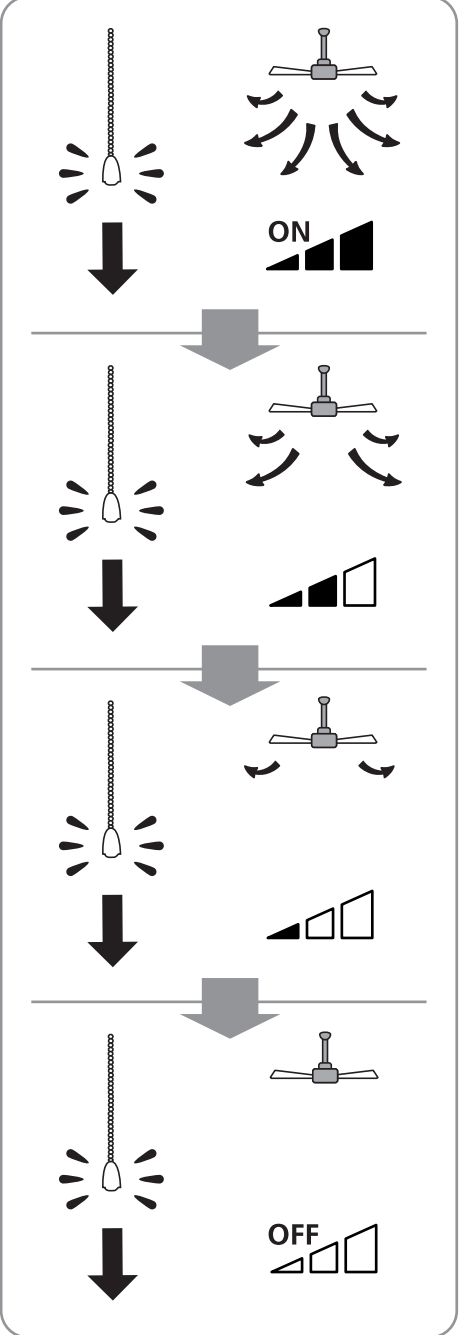
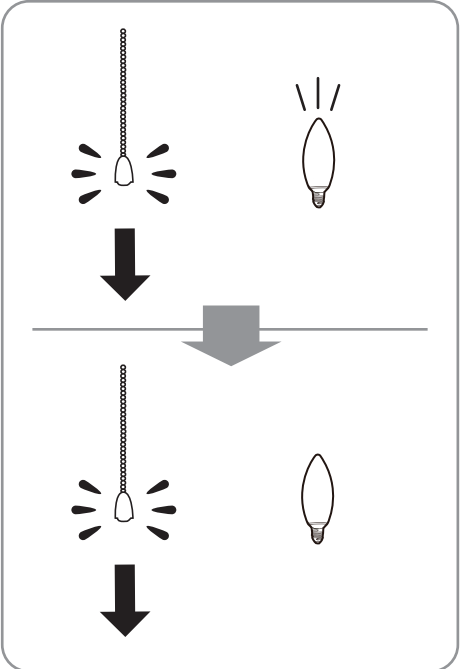
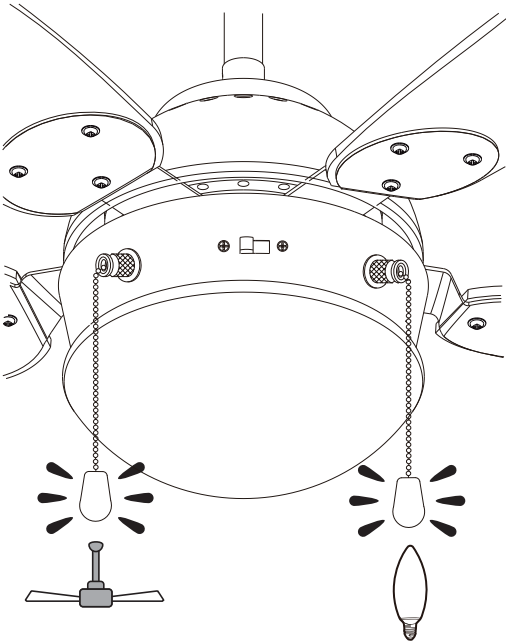


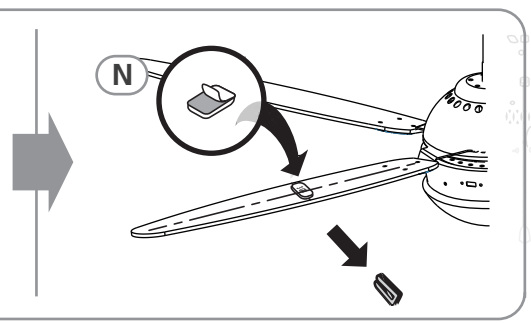
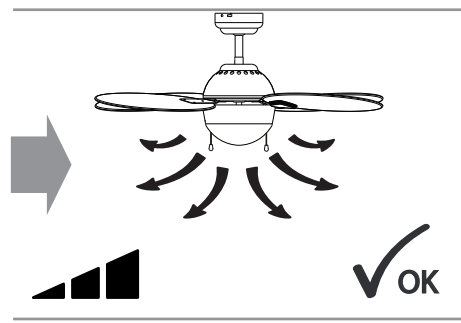
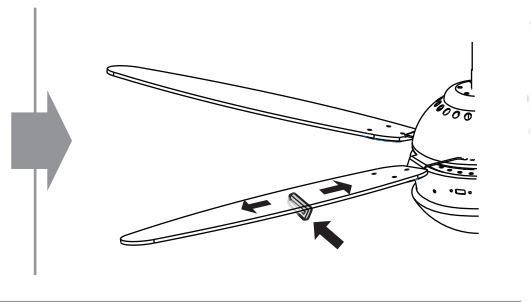
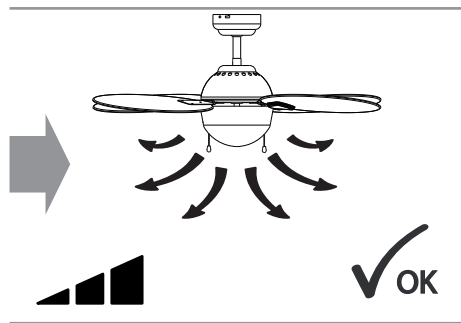
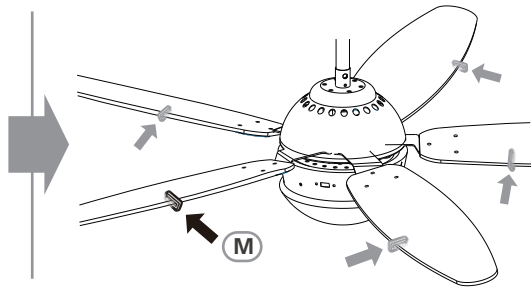
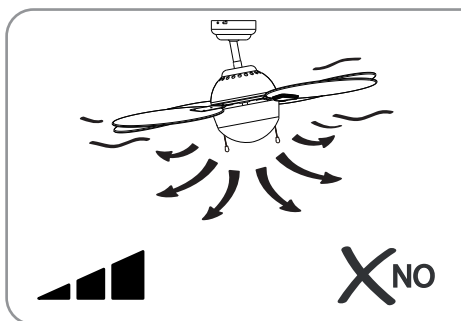
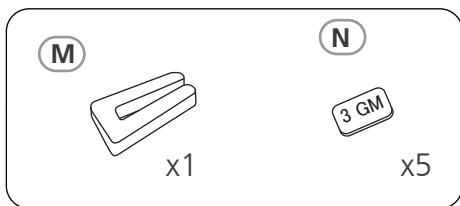
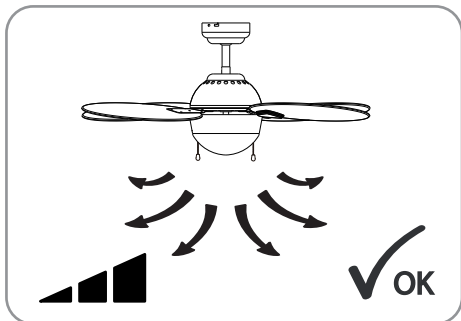
14









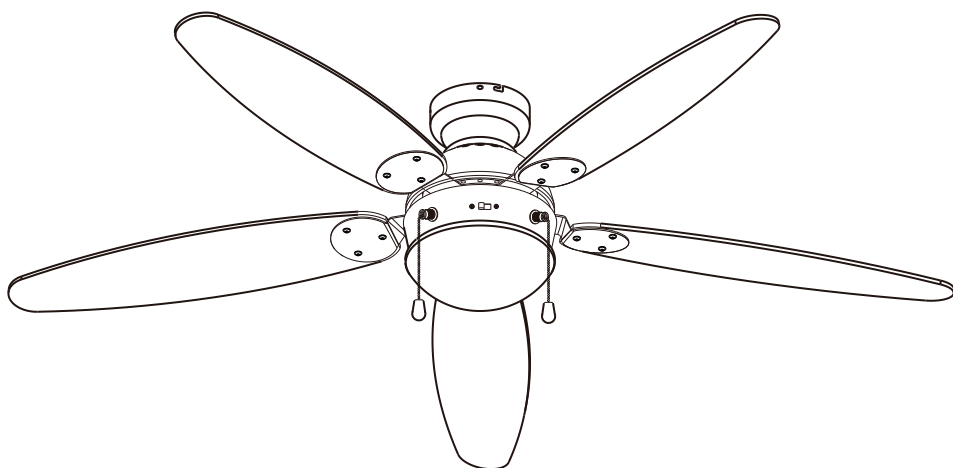


GLOBO

FAN

0308

www.globo-lighting.com



Globo Handels GmbH

Gewerbestraße 3

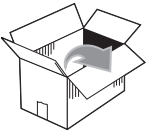
9184 St. Peter

AUSTRIA

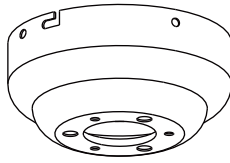
office@globo-lighting.com

www.globo-lighting.com

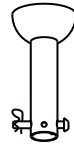




O



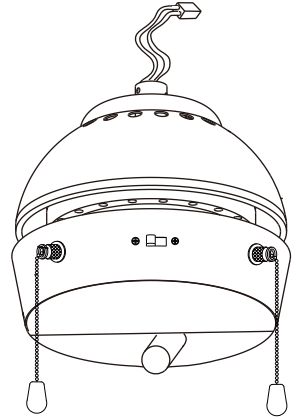
P



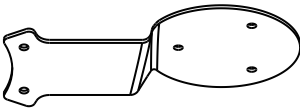
C x5



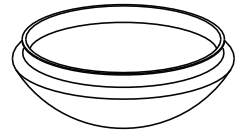
B



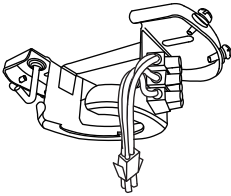
D x5



E x1



A



H



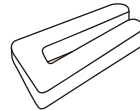
x2

N



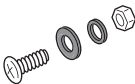
x5

M



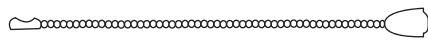
x1

F

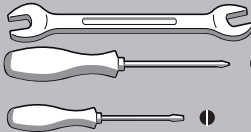
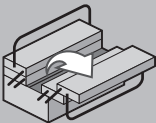


x15

G



x2

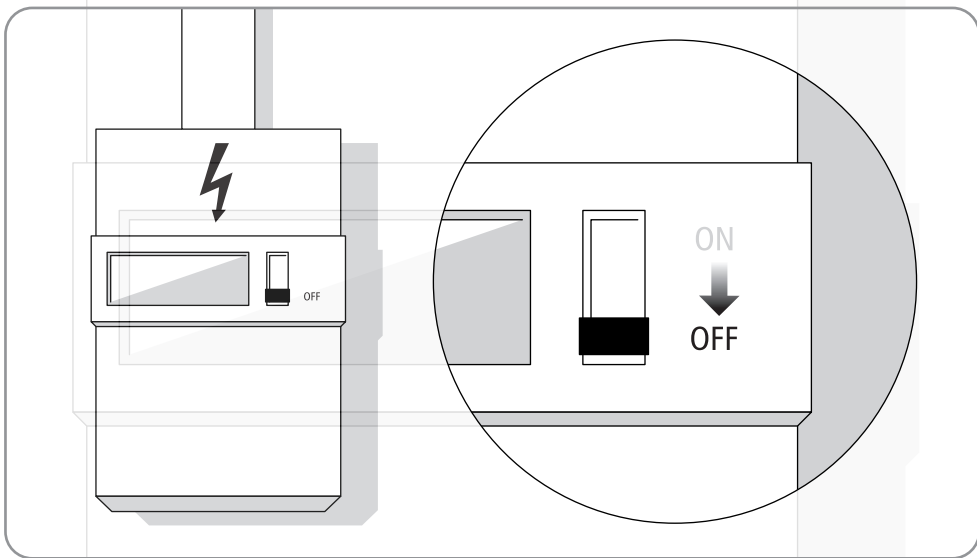
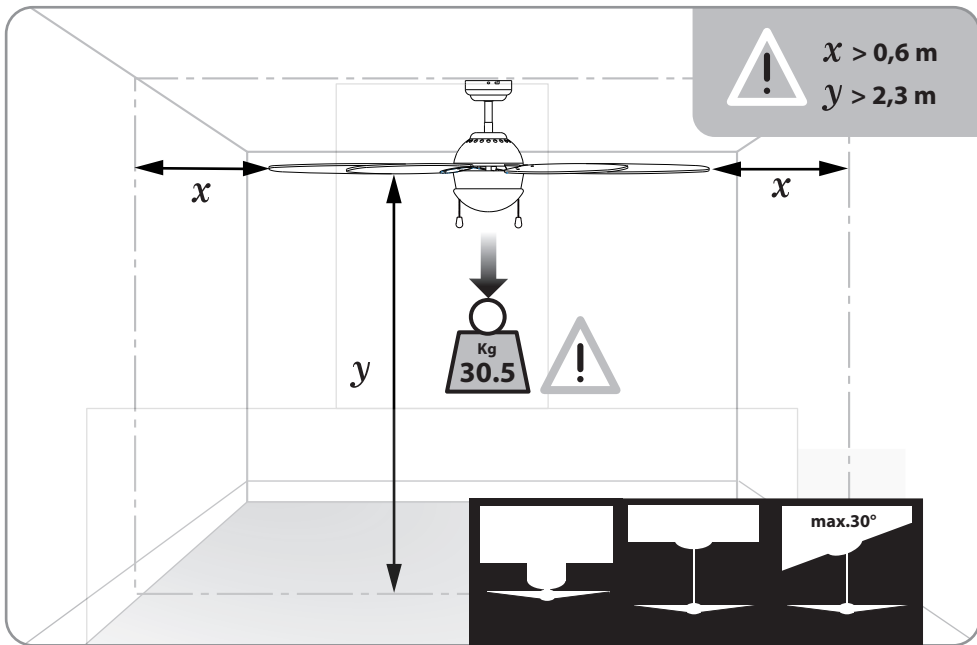


#8

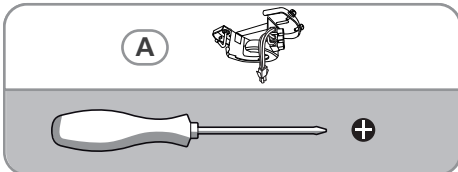
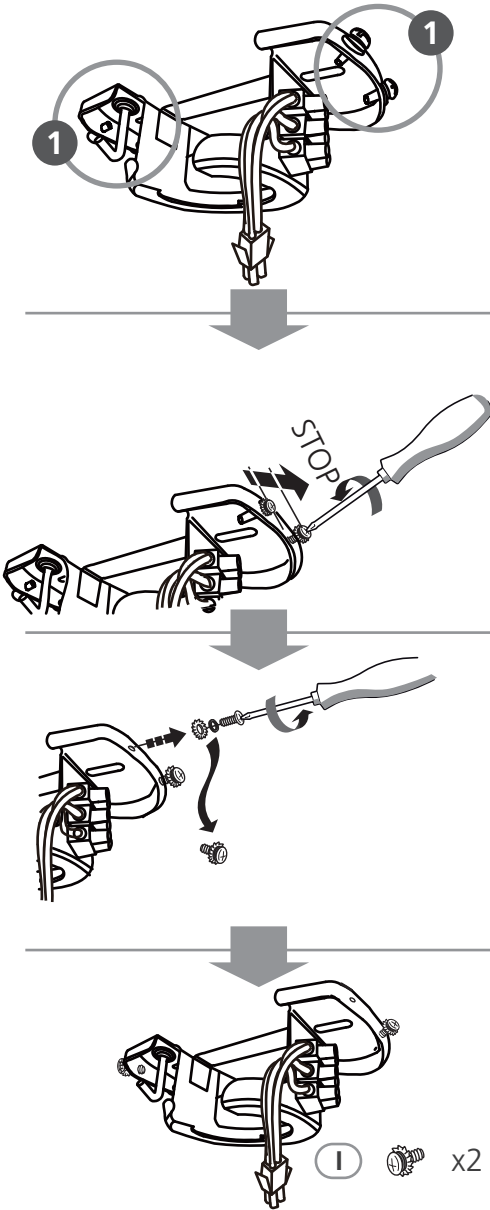


E 14

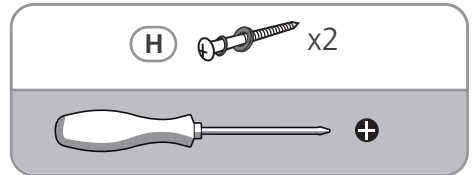
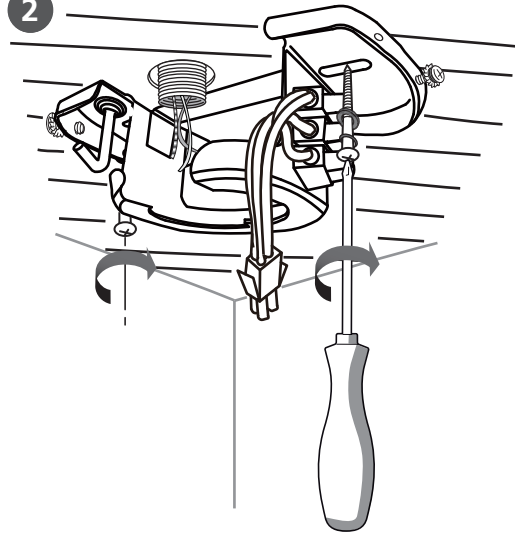




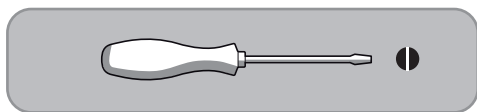
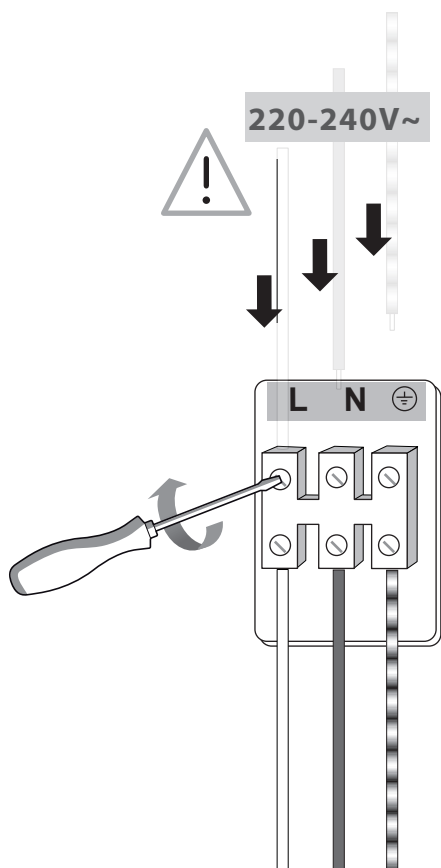
1



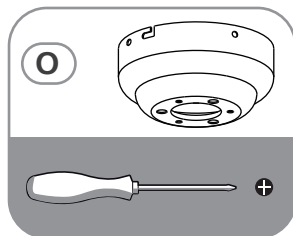
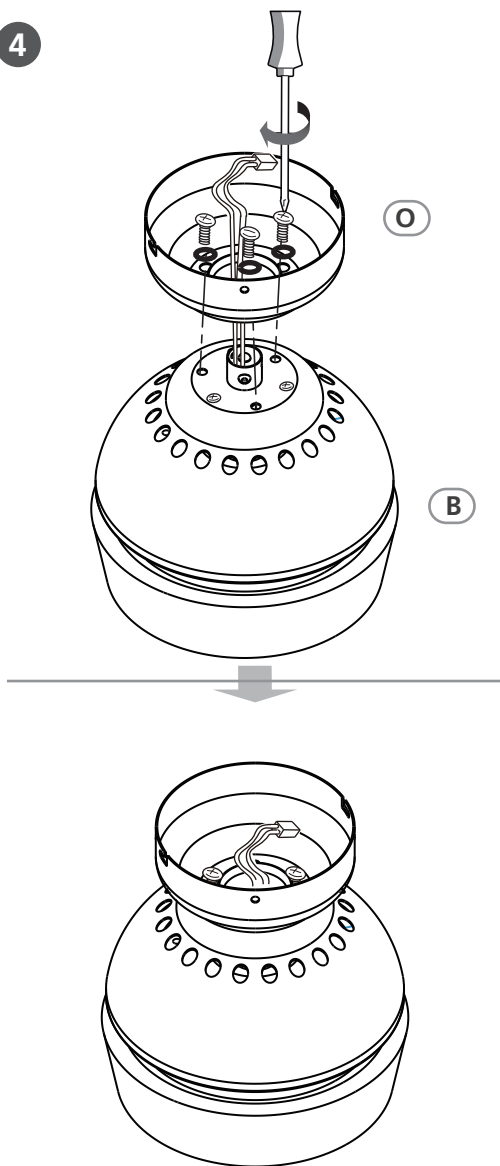
2



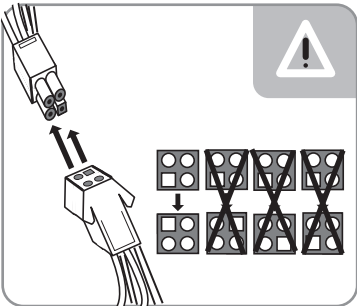
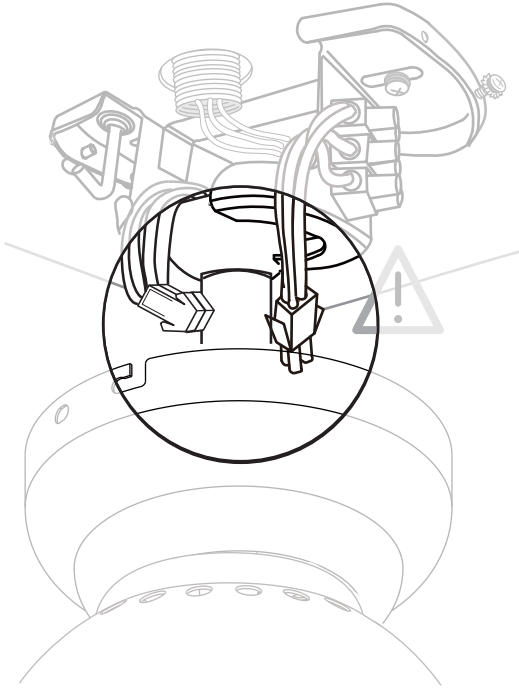
3



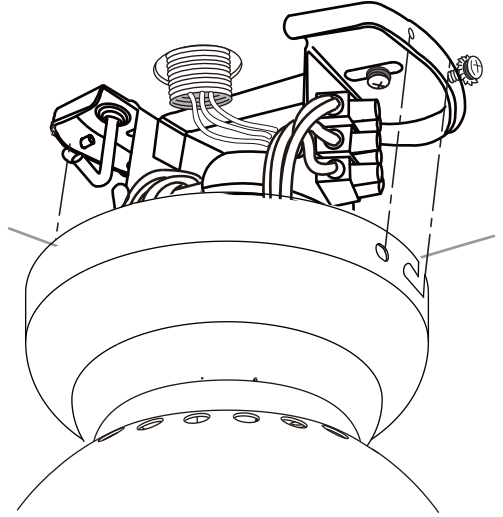
4



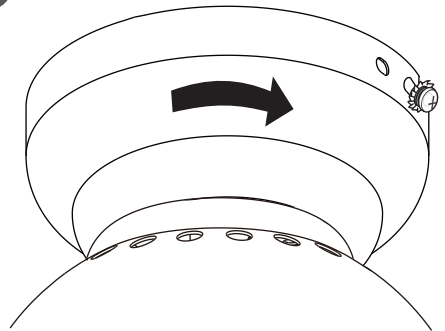
5

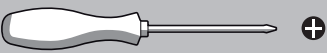
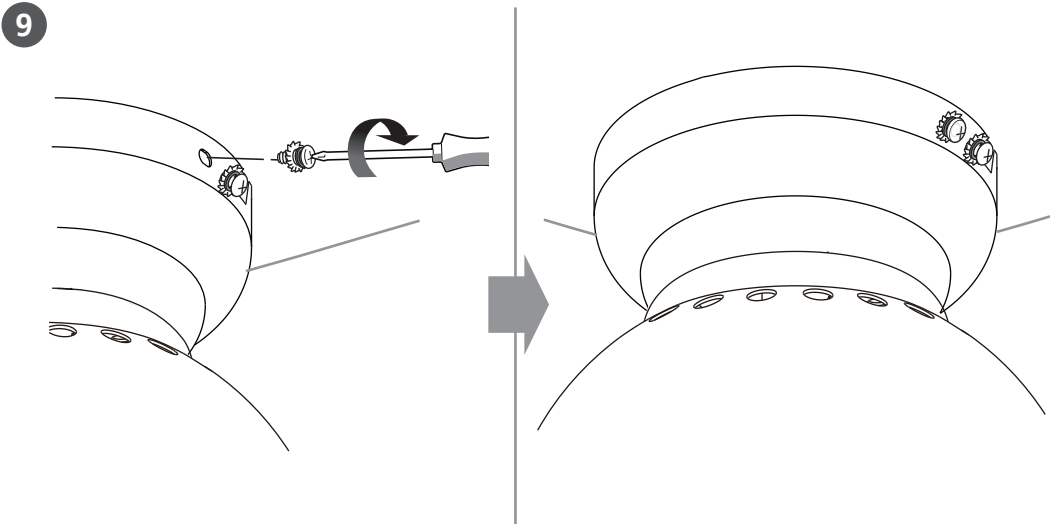
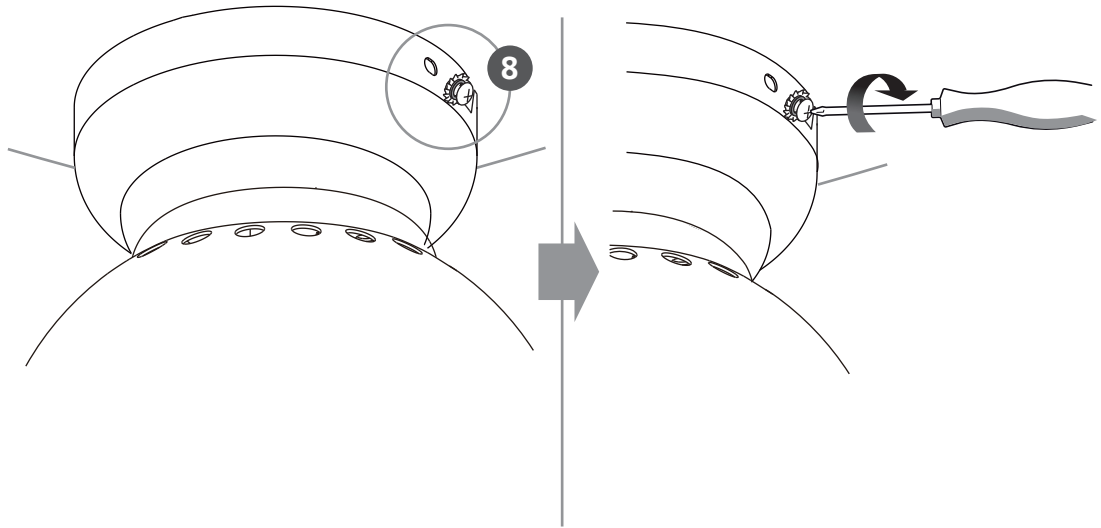


6

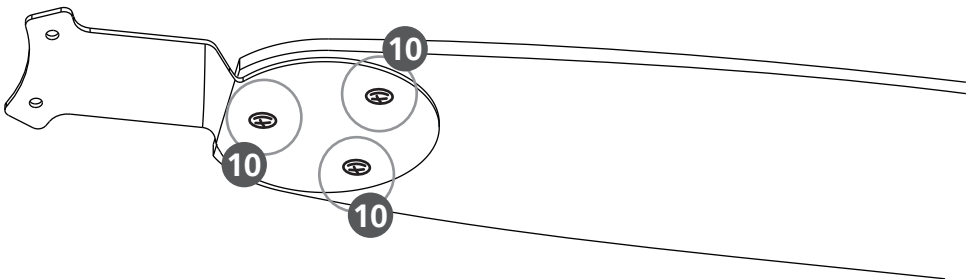
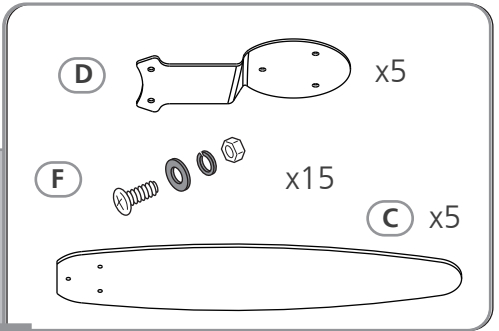
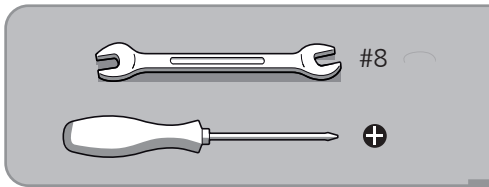
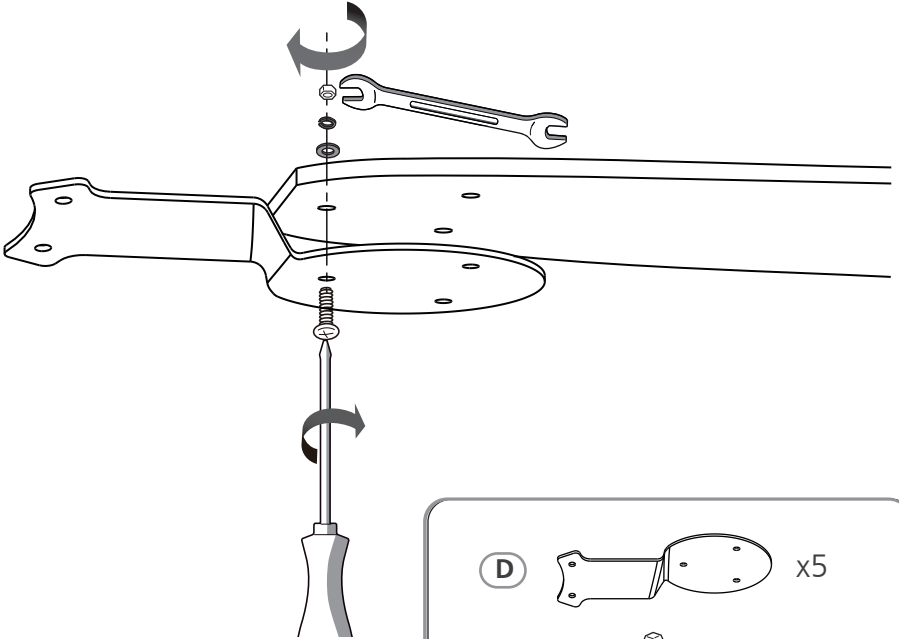


7

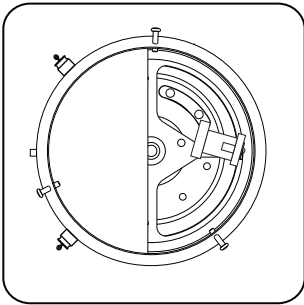
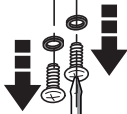
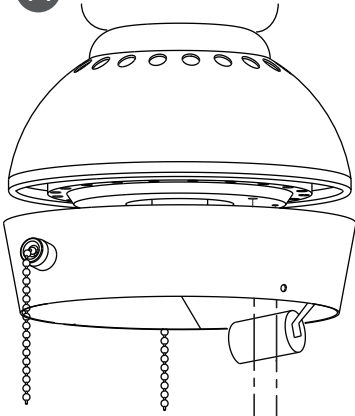




10

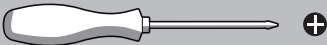
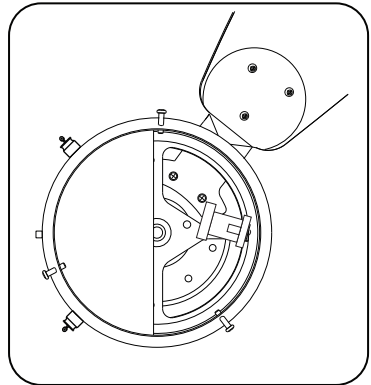
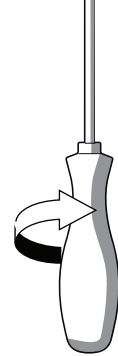
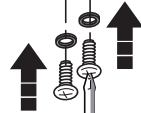
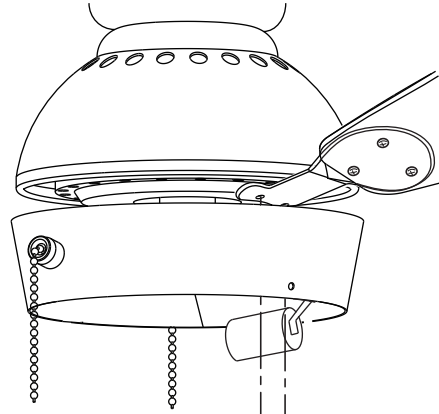


11

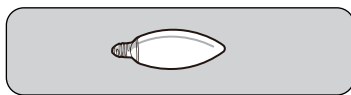
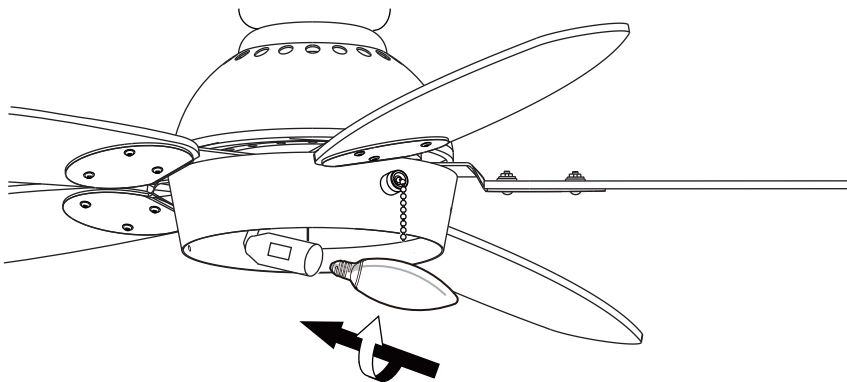


J x 10

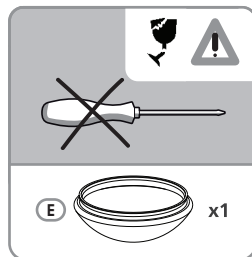
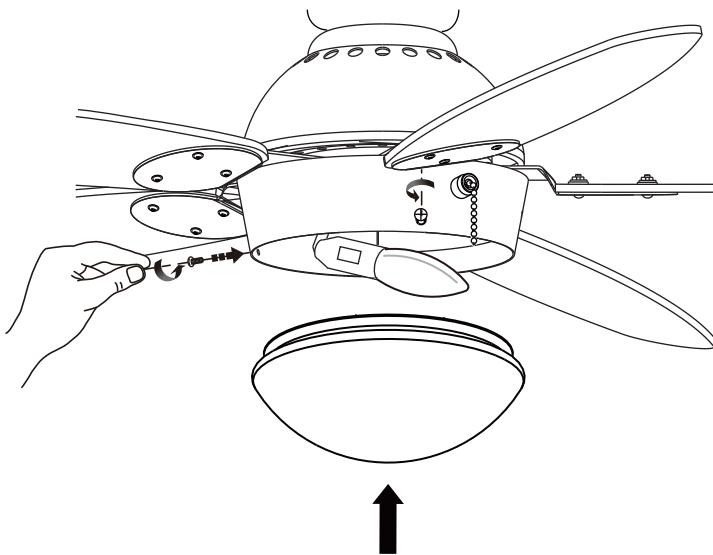
12

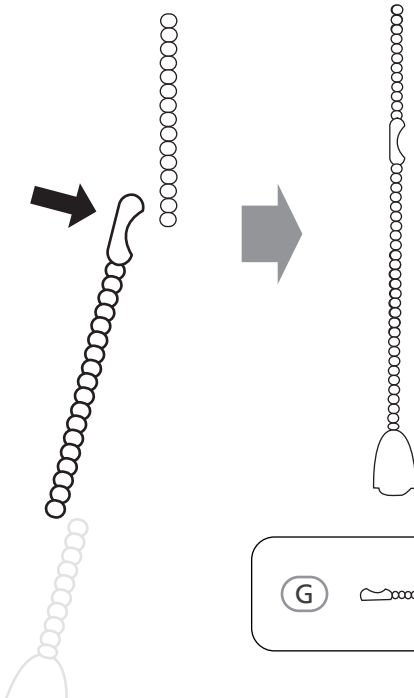
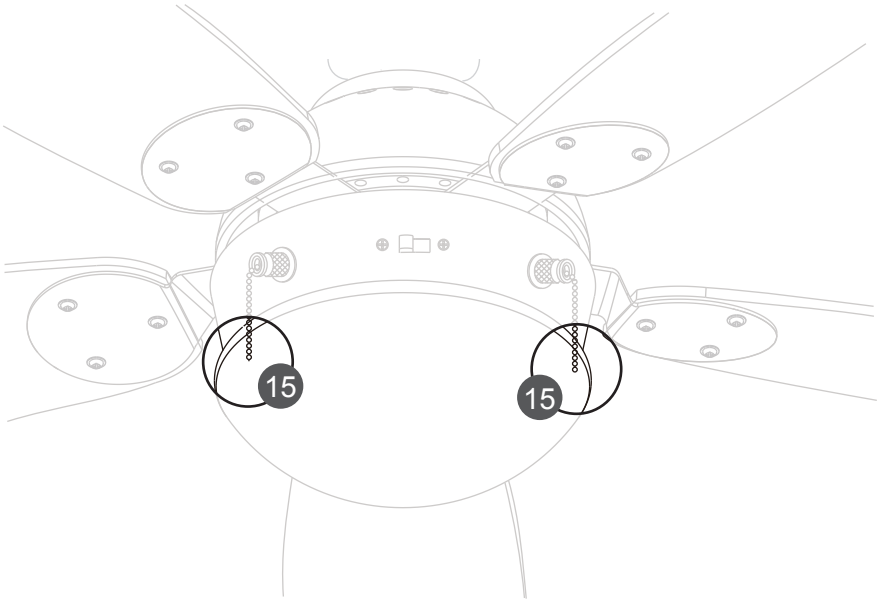


13

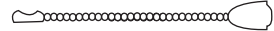


14





G



x2

